

**Industrial grinders, buffers,  
accessories & replacement parts**



---

**Industrial grinder and buffer products from ABB are warranted 3 full years. Grinders and buffers are warranted against burnouts, defective materials, and workmanship. Warranty covers all parts except those subject to normal wear such as wheels.**

**Prices are subject to change without notice.**

---

# Table of contents

## **4-6 Industrial bench and pedestal grinders**

- 4 7 inch
- 5 8 inch & 10 inch
- 6 12 inch & 14 inch exhaust type heavy duty
- 6 12 inch & 14 inch wheels

## **7 Industrial tool grinders**

- 7 Wheels and accessories

## **8 Industrial abrasive belt sanders**

- 8 Fixed
- 8 Three position tiltable
- 8 Adjustable speed belt sander
- 8 Combination abrasive belt sander/grinder

## **9 Industrial buffers**

## **10 Big red grinders**

- 10 7 inch
- 10 8 inch

## **11-14 Accessories**

- 11 Big red pedestals and lighted eyeshields
- 12 Dust control units for grinders, 115V, single phase, 60Hz
- 13 Grinders and buffers
- 14 Wheels

## **15-16 Polishing lathes, chucks and dust collector bags**

## **17 Mod Express® ordering information**

## **18-19 Mod Express description and list price**

## **20 General information**

## **21 Replacement parts**

- 21 7" grinders, 1/4 Hp and 1/3 Hp buffers
- 22 8", 10", 12" and 14" grinders, 3/4 Hp thru 10 Hp buffers
- 23 Carbide and diamond wheel grinders
- 24-26 Abrasive belt grinders
- 27 Dust control accessories
- 28 Eyeshields
- 29 Pedestals

## Industrial grinders

### Bench and pedestal grinders

Baldor-Reliance® industrial grinders are the premier selection in the industry for their reliability, ease of ownership, and warranty. With features like the heavy duty construction, rubber feet designed to minimize vibration and noise, and base mounted on/off switch the choice is easy.



7306



7306D

#### 8 inch

Cast iron exhaust type wheel guards. 8-foot power cord. Base mounted on/off switch. Rubber feet to minimize vibration.

Hp	RPM	Wheel size	Catalog number	Mult. sym.	Shpg. wgt.	Voltage	Style	Agency approval	Notes
1/2	3600	7"x1"x5/8"	712	G1	45	115	Grinder	UL, CSA	a,c,f,p
1/2	3600	7"x1"x5/8"	762	G1	43	115	Grinder/buffer	UL, CSA	b,c,f,p
1/2	3600	7"x1"x5/8"	712E	G1	68	115	Grinder	UL, CSA	a,c,p
1/2	3600	7"x1"x5/8"	762E	G1	68	115	Grinder/Buffer	UL, CSA	b,c,p
1/2	1800	7"x1"x5/8"	7306	G1	70	115/230	Grinder	UL	a,d,g,p
1/2	3600	7"x1"x5/8"	7307	G1	70	115/230	Grinder	UL, CSA	a,d,g,p
1/2	3600	7"x1"x5/8"	7351	G1	67	115/230	Grinder/buffer	UL, CSA	b,d,g,p
1/2	1800	7"x1"x5/8"	7308	G1	71	208-230-4600	Grinder	UL, CSA	a,d,h,p
1/2	3600	7"x1"x5/8"	7309	G1	72	208-230-4600	Grinder	UL, CSA	a,d,h,p
1/2	1800	7"x1"x5/8"	7306D	G1	84	115/230	Grinder	UL	a,d,e,g
1/2	3600	7"x1"x5/8"	7307D	G1	84	115/230	Grinder	UL	a,d,e,g
1/2	3600	7"x1"x5/8"	7309D	G1	87	208-230/460	Grinder	UL, CSA	a,d,e,h
1/2/ 1/3	1800/ 3600	7"x1"x5/8"	7312D	G1	90	115	Grinder	UL	a,d,e

Exercise caution and wear safety glasses.

- (a) Supplied with 36 & 60 grit wheels.
- (b) Supplied with 36 grit and 0.014 wire wheel.
- (c) Stamp steel tool rests.
- (d) Cast iron tool rests.
- (e) Deluxe model includes water pot, tool tray and lighted eyeshields.
- (f) Non-exhaust type wheel guards.
- (g) Factory connected for 115 volts, power cord supplied.
- (h) Factory connected for 208-230 volts, no power cord.
- (p) Supplied with eye shield.



**Industrial grinders**

Bench and pedestal grinders

**8100W****8100WD****1022W****1022WD****8 inch**

All models have cast iron tool rests and exhaust type wheel guards. 8-foot power cord. Base mounted on/off switch. Rubber feet to minimize vibration.

Hp	RPM	Wheel size	Catalog number	Mult. sym.	Shpg. wgt.	Voltage	Style	Agency approval	Notes
3/4	1800	8"x1"x3/4"	8100W	G1	99	115/230	Grinder	UL	a,g,p
3/4	1800	8"x1"x3/4"	8100WD	G1	110	115/230	Grinder	UL	a,e,g
3/4	3600	8"x1"x3/4"	8107W	G1	99	115/230	Grinder	UL	a,g,p
3/4	3600	8"x1"x3/4"	8107WD	G1	111	115/230	Grinder	UL	a,e,g
3/4	3600	8"x1"x3/4"	8250W	G1	97	115/230	Grinder/buffer	UL	b,g,p
3/4	1800	8"x1"x3/4"	8102W	G1	98	208-230/460	Grinder	UL,CSA	a,h,p
3/4	1800	8"x1"x3/4"	8102WD	G1	111	208-230/460	Grinder	UL,CSA	a,e,h
3/4	3600	8"x1"x3/4"	8123W	G1	99	208-230/460	Grinder	UL,CSA	a,h,p
3/4	3600	8"x1"x3/4"	8123WD	G1	112	208-230/460	Grinder	UL,CSA	a,e,h
3/4	3600	8"x1"x3/4"	8252W	G1	95	208-230/460	Grinder/buffer	-	b,h,p
3/4	3600	8"x1"x3/4"	8125W	G1	99	575	Grinder	UL	a,i,p

Exercise caution and wear safety glasses.

**10 inch**

All models have cast iron tool rests and exhaust type wheel guards. Base mounted on/off switch. Rubber feet to minimize vibration.

Hp	RPM	Wheel size	Catalog number	Mult. sym.	Shpg. wgt.	Voltage	Style	Agency approval	Notes
1	1800	10"X1"X7/8"	1022W	G1	133	115/230	Grinder	UL	a,J,p
1	1800	10"X1"X7/8"	1022WD	G1	145	115/230	Grinder	UL	a,e,J
1-1/2	1800	10"X1"X7/8"	1021W	G1	134	208-230/460	Grinder	UL,CSA	a,h,p
1-1/2	1800	10"X1"X7/8"	1021WD	G1	146	208-230/460	Grinder	UL,CSA	a,e,h
1-1/2	1800	10"X1"X7/8"	105W	G1	133	575	Grinder	UL,CSA	a,i,p

Exercise caution and wear safety glasses.

- (a) Supplied with 36 & 60 grit wheels.
- (b) Supplied with 36 grit and 0.014 wire wheel.
- (e) Deluxe model includes water pot, tool tray and lighted eyeshields.
- (g) Factory connected for 115 volts, power cord supplied.
- (h) Factory connected for 208-230 volts, no power cord.
- (i) 575 volt, 50//60 Hz.
- (J) Factory connected for 115 volts, no power cord.
- (p) Supplied with eye shield.

## Industrial grinders

Bench and pedestal grinders



**Catalog #1215W  
with #GA20 pedestal  
(sold separately)**



**Catalog #1407W  
with #GA20 pedestal  
(sold separately)**

### 12 inch

Cast iron tool rests & exhaust type wheel guards. Manual starter with overload protection. Also includes lighted eyeshield (bulb not included). All three-phase units are suitable for 50/60 Hz, 1500/1800 RPM operation. Wheels sold separately. See chart below.

Hp	RPM	Wheel size	Catalog number	Mult. sym.	Shpg. wgt.	Voltage	Style	Agency approval	Notes
2	1800	12"X2"X1-1/4"	1215W	G1	253	208-230/460	Grinder	CSA	k
3	1800	12"X2"X1-1/4"	1216W	G1	254	208-230/460	Grinder	CSA	k
2	1800	12"X2"X1-1/4"	1217W	G1	259	115/230	Grinder	-	J
3	1800	12"X2"X1-1/4"	129W	G1	256	575	Grinder	CSA	i

Exercise caution and wear safety glasses.

### 14 inch

Cast iron tool rests & exhaust type wheel guards. Magnetic starter with overload protection. Also includes lighted eyeshields (bulbs not included). Suitable for 50/60 Hz operation. Wheels sold separately. See chart below.

Hp	RPM	Wheel size	Catalog number	Mult. sym.	Shpg. wgt.	Voltage	Style	Agency approval	Notes
5	1800	14"X3"X1-1/4"	1406W	G1	359	230	Grinder	CSA	m
5	1800	14"X3"X1-1/4"	1410W	G1	362	460	Grinder	-	m
5	1800	14"X3"X1-1/4"	1408W	G1	358	575	Grinder	CSA	m
7-1/2	1800	14"X3"X1-1/4"	1407W	G1	372	230	Grinder	CSA	m
7-1/2	1800	14"X3"X1-1/4"	1411W	G1	381	208-230/460	Grinder	-	m
7-1/2	1800	14"X3"X1-1/4"	1409W	G1	374	575	Grinder	CSA	m

Exercise caution and wear safety glasses.

### Wheels for 12-inch and 14-inch grinders

High quality aluminum oxide and silicon abrasive in a premium vitrified system

Catalog number	List price	Mult. sym.	Diameter	Face	Bore	Grit	Shpg. wgt.
B125	\$238	A8	12"	2"	1-1/4"	30	22
B126	240	A8	12"	2"	1-1/4"	46	22
B147	449	A8	14"	3"	1-1/4"	30	42
B148	449	A8	14"	3"	1-1/4"	46	41

When installing new wheels, check wheels for possible damage. Do not use a damaged wheel. With new wheel installed, all safety guards in place and operator standing away from front of grinder, run grinder for one minute before apply work.

Exercise caution and wear safety glasses.

(i) 575 volt, 50//60 Hz.

(J) Factory connected for 115 volts, no power cord.

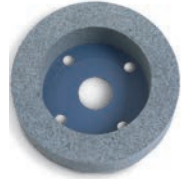
(k) Factory connected for 230, manual starter, specify voltage when ordering.

(m) Factory connected for 230, magnetic starter must be changed for other voltages

## Industrial tool grinders



**Catalog #D501**



**Catalog #C61**



**GA8**



**GA7**

### Wheels and accessories

Catalog number	List price	Mult. sym.	Shpg. wgt.	Face	Grit	Description
D501	\$994	A8	5	3/4"	120	General purpose diamond wheel
D502	994	A8	2	3/4"	220	Fine finish diamond wheel
C61	217	A8	5	1"	60	Silicone carbide
C121	217	A8	3	1"	120	Silicone carbide
S46	143	A8	3	1"	46	Aluminum oxide
S61	143	A8	3	1"	60	Aluminum oxide
GA8	525	A8	1			Wheel dresser with diamond nib
GA7	143	A8	1			Diamond NIB for GA8 (7/16 diameter x 1" long)

When installing new wheels, check wheels for possible damage. Do not use a damaged wheel. With new wheel installed, all safety guards in place and operator standing away from front of grinder, run grinder for one minute before apply work.

Exercise caution and wear safety glasses.

(g) Factory connected for 115 volts, power cord supplied.

(h) Factory connected for 208-230 volts, no power cord.

## Industrial abrasive belt sanders

ABB offers several options when it comes to industrial belt sanders, fixed and tiltable belts, grinder/sanders and even an adjustable speed sander for increased flexibility. All units come with a base mounted on/off switch. 602E-MT equipped with 2x36" 100 grit belt, all others 2x48" 80 grit belt.



Catalog #602E-MT



Catalog #248-151D



Catalog #248-181TD



Catalog #248-151TD



Catalog #248-151AS

Hp	RPM	Tiltable belt	Catalog number	Mult. sym.	Shpg. wgt.	Voltage	Style	Agency approval	Notes
1-1/2	3600	Fixed	2048-151D	G1	88	115/230	Belt sander	UL	g
1-1/2	3600	Fixed	2048-153D	G1	76	208-230/460	Belt sander	UL	h
1-1/2	3600	Three positions	248-151TD	G1	95	115/230	Belt sander	UL	g
1-1/2	3600	Three positions	248-153TD	G1	84	208-230/460	Belt sander	UL	h
1-1/2	3600	Three positions	248-181TD	G1	138	115/230	Grinder/belt sander		j,l,r
1-1/2	3600	Three positions	248-183TD	G1	128	208-230/460	Grinder/belt sander	UL	h,l,r
1-1/2	0-3600	Three positions	248-151AS	G1	105	115	Adjustable speed		g,l

Exercise caution and wear safety glasses.



## Industrial buffers



Catalog #1458 with #GA20  
pedestal (sold separately)



Catalog #333B

Buffers are designed for use with soft cloth wheels ONLY. Specific buffing applications may require the addition of operator safety devices. Consult with a safety engineer before installation. Price includes flanges and nuts but does not include wheels.

Hp	RPM	Diameter max.	Width min./max.	Shaft diameter	Catalog number	Mult. sym.	Shpg. wgt.	Voltage	Agency approval	Notes
1/3	3600	6"	0.5/0.75	1/2"	111	G1	25	115	-	g,s
3/4	1800	8"	0.38/1.25	3/4"	332B	G1	55	115/230	-	g,s
3/4	3600	8"	0.38/1.25	3/4"	333B	G1	56	115/230	-	g,s
3/4	1800	8"	0.38/1.25	3/4"	334B	G1	54	208-230/460	CSA	h,s
3/4	3600	8"	0.38/1.25	3/4"	330B	G1	56	208-230/460	CSA	h,s
1	1800	10"	0.5/1.25	7/8"	407B	G1	60	115/230	-	j,s
1-1/2	3600	10"	0.5/1.25	7/8"	410B	G1	61	115/230	-	j,s
1-1/2	1800	10"	0.5/1.25	7/8"	409B	G1	59	208-230/460	CSA	h,s
1-1/2	3600	10"	0.5/1.25	7/8"	412B	G1	62	208-230/460	CSA	h,s
2	1800	12"	2.0/2.5	1-1/4"	1250	G1	164	115/230	-	k
2	3600	12"	2.0/2.5	1-1/4"	1251	G1	160	115/230	-	k
3	1800	12"	2.0/2.5	1-1/4"	1252	G1	156	208-230/460	CSA	k
3	3600	12"	2.0/2.5	1-1/4"	1253	G1	156	208-230/460	CSA	k
5	1200	14"	2.5/3.0	1-1/4"	1457	G1	228	230	CSA	m
5	1800	14"	2.5/3.0	1-1/4"	1458	G1	218	230	CSA	m
7-1/2	1800	14"	2.5/3.0	1-1/4"	1454	G1	229	230	CSA	m
7-1/2	3600	14"	2.5/3.0	1-1/4"	1453	G1	223	230	CSA	m

Exercise caution and wear safety glasses.

- (g) Factory connected for 115 volts, power cord supplied.
- (h) Factory connected for 208-230 volts, no power cord.
- (j) Factory connected for 115 volts, no power cord.
- (k) Factory connected for 230, manual starter, specify voltage when ordering.
- (l) Supplied with 8"x1"x3/4" 36 grit wheel and 80 grit belt.
- (m) Factory connected for 230, magnetic starter must be changed for other voltages.
- (n) Supplied with 0.014 wire wheel and 36"x2" 100 grit belt.
- (r) Grinder side eye shield included.
- (s) Base mounted on-off switch.

## Big red grinders



712RE



812RE

Big red grinders are available with 7" or 8" wheels, equipped with base mounted on/off switch and 8 foot cord with plug. Rubber mounting feet help minimize vibration. Models ending in "E" have exhaust type wheel guards.

Hp	RPM	Wheel size	Catalog number	Mult. sym.	Shpg. wgt.	Voltage	Style	Agency approval	Notes
1/2	3600	7"x1"x5/8"	712R	G1	45	115	Grinder	UL,CSA	a,c,f,p
1/2	3600	7"x1"x5/8"	762R	G1	43	115	Grinder/buffer	UL,CSA	b,c,f,p
1/2	3600	7"x1"x5/8"	712RE	G1	68	115	Grinder	UL,CSA	a,c,p
1/2	3600	7"x1"x5/8"	762RE	G1	66	115	Grinder/buffer	UL,CSA	b,c,p
3/4	3600	8"x1"3/4"	812RE	G1	96	115/230	Grinder	UL	a,c,g,p
3/4	3600	8"x1"3/4"	862RE	G1	95	115/230	Grinder/buffer	UL	a,c,g,p

Exercise caution and wear safety glasses.

## Accessories

### Big red

#### Pedestals



**GA16R**



**GA14R**

#### Lighted eyeshields



**GA9R**



**GA9SR**

Catalog number	Description	Mult. sym.	Shpg. wgt.
GA16R	Cast iron pedestal can be used on all big red grinders. Height is 32-7/8".	A8	62
GA16RE	Light industrial version, all steel construction for use on 6" & 7" only. Height is 34".	A8	36
GA20RE	Light industrial version, all steel construction for use on 8" only. Height is 34".	A8	54
GA14R	Fabricated steel pedestal with storage shelves can be used on all big red grinders. Height is 34-1/2".	A8	64
GA9R	(2) lighted eyeshield, 5-1/2" x 3-3/4" viewing area. 8-ft cord with plug, mounts to any big red grinder.	A8	5
GA9SR	(2) Lighted eyeshield with on/off switch, 5-1/2" x 3-3/4" viewing area. 8-ft cord with plug, mounts to any big red grinder.	A8	5

Exercise caution and wear safety glasses.

- (a) Supplied with 36 & 60 grit wheels.
- (b) Supplied with 36 grit and 0.014 wire wheel.
- (c) Stamp steel tool rests.
- (d) Cast iron tool rests.
- (f) Non-exhaust type wheel guards.
- (g) Factory connected for 115 volts, power cord supplied.
- (p) Supplied with eye shield.

## Accessories

Dust control units for ABB grinders, 115V, single phase, 60 Hz



**Catalog #1022W**  
with DC10 and GA16  
(sold separately)

Catalog number	Mult. sym.	Grinding wheel maximum		Total cap.	Cubic Ft/Min	Air control valves	Shpg. wgt.
		Dia.	Width		Required per wheel by OSHA (o)		
DC7	A8	7"	1"	440	220	Yes	60
DC8	A8	8"	1"	440	220	Yes	62
DC10	A8	10"	1"	440	390	Yes (p)	60
DC12	A8	12"	2"	440	390	Yes (p)	62
DC12-3	A8	12"	2"	440	390	Yes (p)	57
DC14-3 (n)	A8	14"	3"	700	590	Yes (p)	73

Exercise caution and wear safety glasses.

(n) DC14-3 powered with 1Hp TEFC 208-230/460 volt, three phase motor, less cord, switch, and lug.

(o) From ventilation section 1910.94 table G-4 Federal register vol. 37 #202, 10-18-72.

(p) Air control valve required to direct total CFM of collector to only the wheel being used to meet OSHA CFM requirements on 10" and larger grinders.

### Replacement filter bags

Catalog number	Mult. sym.	Dust control unit	Shpg. wgt.
ARB-1	A8	DC7, 8, 10, 12, 12-3	1
ARB-2	A8	DC14-3	2

Exercise caution and wear safety glasses.

- Do not collect potentially reactive materials without consulting (NFPA) National Fire Protection Association Standards.
- Powered by a 1/2 Hp TEFC single phase ABB motor with cord, switch, and plug.
- 230 volt single phase units are available and supplied less switch, cord, and plug. Specify for 230 volt single phase operation.
- Collectors with three phase motor less cord, switch, and plug are available. For 208-230/460 volt three phase, add suffix -3 to catalog number. Add \$30.00 to list price.
- Mount dust control units with grinder and GA16 or GA20 pedestal.

## Accessories

### Grinders and buffers

Item number	Catalog number	Description	List price	Mult. sym.	Shpg. wgt.
A	GA16	Pedestal "cast iron"	\$489	A8	62
	GA16E	"Steel"	319	A8	36
B	GA14	Pedestal "steel"	369	A8	64
C	GA20	Pedestal "cast iron"	803	A8	119
	GA20E	"Steel"	369	A8	54
D	GA24	Water pot	60	A8	1
E	GA3	Water pot	162	A8	7
F	GA25	Tool tray	59	A8	9
G	GA4	Tool tray	187	A8	6
H	GA11	Eyeshield (pair)	99	A8	2
I	GA10	Eyeshield (pair)	94	A8	1
J	GA9	Lighted eyeshield (less on/off switch) (pair)	206	A8	5
J-1	GA9-1	Same as GA9 except packed 1 unit per carton	114	A8	3
K	GA9S	Lighted eyeshield (with on/off switch) (pair)	229	A8	6
L	GA13	Eyeshield for 6" grinders (pair)	53	A8	2
M	AB248	Abrasive belt 2" x 48" – 80 grit	32	A8	1

Exercise caution and wear safety glasses.



01



02



03



04



05



06



07



08



09



10



11



12



13

01 **GA16 pedestal** for 7", 8" and 10" grinders, carbide and diamond wheel grinders, 1/4 Hp through 1-1/2 Hp buffers and belt grinders. Height 32 7/8". GA16E for 6" & 7" grinders "all steel construction". Height is 34".

02 **GA14 pedestal** – fabricated steel, for 7", 8" and 10" grinders, 1/4 Hp through 1 1/2 Hp buffers. Height is 34-1/2".

03 **GA20 pedestal** for 8", 10", 12" and 14" grinders and 3/4 through 7-1/2 Hp buffers. Height 30". GA20RE for 8" & 10" grinders "all steel construction". Height is 34".

04 **GA24 water pot** for 7" (except #712, #712R, #762, & #762R), 8" and 10" grinders. Supplied with mounting bracket and swivel arm. Capacity is 1-1/2 pints.

05 **GA3 water pot** for GA20 pedestal. Capacity is 3 pints.

06 **GA25 tool tray** for 7" (except #712, #712R, #762, & #762R), 8" and 10" grinders. Supplied with mounting bracket and swivel arm. Diameter 8". Area is 48 square inches.

07 **GA4 tool tray** for GA20 pedestal. Dimensions are 12" x 6".

08 **GA11 eyeshield** – 6" x 4" shatter resistant Plexiglas. Fits ABB grinders 7" through 14".

09 **GA10 eyeshield** – 5" x 4" shatter resistant Plexiglas. Fits ABB 6" grinders and #712, #712R, #762 and #762R.

10 **GA9 lighted eyeshield** – 5- 1/2" x 3-3/4" viewing area made of shatter resistant Plexiglas. Supplied with 8 foot 3 conductor cord with plug. Accommodates standard 115 volt 60 watt bulb. Supplied less bulb and on/off switch. Mounts to ABB grinders except tool and belt grinders. Adjusts horizontally and vertically. U.L. listed/CSA certified.

**GA9-1** – Same as GA9 except packed 1 per carton. 115 volt only.

11 **GA9S lighted eyeshield** with on/off switch - 115 volt only.

12 **GA13 eyeshield** for 600 series grinders.

13 **AB248 abrasive belt** – 2" x 48" – 80 grit.



## Accessories

### Wheels

#### Wheels for grinders



6", 7", 8", 10", 12", 14"

Extremely durable aluminum oxide abrasive grain. Excellent for steels and alloy steels. Ideal for numerous general purpose applications.

Catalog number	Mult. sym.	Diameter	Face	Bore	Grit	Shpg. wgt.
B66	A8	6"	3/4"	1/2"	36	2
B67	A8	6"	3/4"	1/2"	60	2
B73	A8	7"	1"	5/8"	36	4
B74	A8	7"	1"	5/8"	60	3
B80	A8	8"	1"	3/4"	36	5
B81	A8	8"	1"	3/4"	60	4
B102	A8	10"	1"	7/8"	36	8
B103	A8	10"	1"	7/8"	60	6
B125	A8	12"	2"	1-1/4"	30	22
B126	A8	12"	2"	1-1/4"	46	22
B147	A8	14"	3"	1-1/4"	30	42
B148	A8	14"	3"	1 1/4"	46	41

Exercise caution and wear safety glasses.

#### Sewed cotton buffing wheels



6", 8", 10"

Wheels are muslin cloth, spiral sewn. These bore sizes will fit shafts 1/8" greater diameter than bore.

Catalog number	Mult. sym.	Diameter	Face	Bore	Shpg. wgt.
A65	A8	6"	1/4"	1/2"	1
A82	A8	8"	1/4"	3/4"	1
A103	A8	10"	1/4"	7/8"	1

• Exercise caution and wear safety glasses.

• Cotton wheels are supplied in sections 1/4" wide. Two (or more) sections may be put together to make up wheel of desired width.

#### Wire brush wheels



6", 7", 8"

Wheels are crimped, carbon steel wire.

Catalog number	Mult. sym.	Diameter	Face	Bore	Diameter of wire	Shpg. wgt.
W64	A8	6"	5/8"	1/2"	0.014	1
W70	A8	7"	5/8"	5/8"	0.014	1
W82	A8	8"	3/4"	3/4"	0.014	1

• Exercise caution and wear safety glasses.

• ABB 6", 7" & 8" grinders equipped with grinding wheels can be converted to have wire brush wheels. To properly fit the wire brush wheels, flat washers or spacer must be placed on both sides of the wheel flanges. This will accommodate the width differences between the wire brush wheel and the original grinding wheel. Order washers/spacers as follows: 6" (3) HW1000A50, 7" (2) HA2047A01, 8" (4) HW1000A75

When installing new wheels, check wheel for possible damage. Do not use a damaged wheel. With new wheel installed and all safety guards in place, and operator standing away from front of grinder, run grinder for one minute before applying work. (Wear safety glasses). Exercise caution.

## Polishing

### Lathes

Dentists, dental lab technicians, jewelers, lapidary and others prefer Baldor-Reliance polishing lathes for precision, trouble-free polishing. Baldor-Reliance lathes are the most reliable, easy to use, and quiet solution. Features that are important in these types of environments. All lathes are made of heavy construction with rubber feet minimize vibration and noise. Provisions for mounting to laboratory bench included.



340



353T



380WCT



LPL50

Hp	RPM	Shaft diameter/taper	Catalog number	Mult. sym.	Shpg. wgt.	Voltage	Style	Notes
1/4	3600/1800	0.375 / 0.250	340	G1	31	115	Dual speed	q
1/4	3000/1500	0.375 / 0.250	342	G1	31	220-240	Dual speed	r
1/4	3600/1800	0.375 / 0.250	353T	G1	35	115	Dual speed	q
1/2	3600	0.375 / 0.250	359T	G1	36	115	Single speed	q
1/3	3600/1800	0.375 / 0.250	380T	G1	42	115	Dual speed	q
1/3	3600/1800	0.375 / 0.250	380WCT	G1	47	115	Dual speed	q,s
1/2	3600	0.625 / straight	LPL50	G1	43	115	Single speed	q,t
3/4	3600	0.625 / straight	LPL75	G1	48	115/230	Single speed	q,t

Exercise caution and wear safety glasses.

(q) Factory connected for 115 volts, power cord supplied.

(r) Factory connected for 220-240 volts, power cord without plug.

(s) Right side equipped with Wells Dental "Super Quick" chuck, 2 mandrels, 2 stone, 1 arbor band, 1 soft wheel chuck.

(t) Single shaft, right side.

#### Full three year warranty

ABB polishing lathes are warranted against burnouts, defective materials, and workmanship for three full years.

Warranty covers all parts except those subject to normal wear. "Wells Quick Chuck" warranted one year by manufacturer.

## Polishing

### Chucks and dust collector bags



R1, R2, L3, L4, R5A, R6, L7

#### True-running chucks

Made to close-tolerance specifications, keeps vibration to an absolute minimum. All chuck guaranteed to match ABB lathes and other make with standard tapered shaft. Mounting hole 0.370" tapered 0.250 per foot.

Catalog number	Description	Mult. sym.	Shpg. wgt.
R1	Hard wheel, right hand, brass	A8	1
R2	Soft wheel, right hand, brass	A8	1
L3	Hard wheel, left hand, brass	A8	1
L4	Soft wheel, left hand, brass	A8	1
R5A	Burr chuck, right hand	A8	1
R6	Arbor band, right hand, brass	A8	1
L7	Burr chuck, left hand, stainless	A8	1

- Exercise caution and wear safety glasses.
- R1 & L3 hard wheel chucks accommodate up to 1/4" wide wheel with 1/4" arbor hole.
- R6 arbor band chuck accommodates 1/2" wide x 3/4" diameter arbor band.

#### Dust collector bags

Catalog number	Description	Mult. sym.	Shpg. wgt.
DA1	Dust collector bag (1 per carton). For ABB D60 and D61 dust collectors	A8	1

---

## Motor MOD Express

### Ordering information

To order, specify the catalog number of the stock product and the MOD number. Use the motor discount for the product.

All modifications should be priced using the modification list price, applying the appropriate multiplier symbol for the product.

Lead times indicated are subject to availability of stock product in the Fort Smith warehouse. Customer will absorb all freight costs when motor is shipped to Fort Smith from field warehouses.

#### **MOD Express cancellation policy**

Should it be necessary to cancel an order after it is modified, but before it ships – a cancellation charge of double the modification charge will be invoiced to the customer. Any MOD order canceled before modification is completed is subject to 25% cancellation charge.

Once shipped, modified product returned at purchaser's expense will be invoiced at double the MOD fee plus 10% restock fee.

#### **Modifications**

Some modifications cannot be performed on UL, CSA, or UL/CSA certified grinders, buffers, or belt sanders without voiding the certification. In such instances, the certification mark(s) would need to be removed. Please contact your ABB representative.

## Motor MOD Express

Modification number	Motor MOD Express Description and list price	Working days Required
---------------------	---	--------------------------

### Mountings

<b>M13H</b>	<p><b>Mount dust control unit on grinders</b></p> <p>Labor only to mount dust control unit. Price does not include the dust control unit or any accessories. See Accessories to order dust control unit.</p>	Two Days
-------------	--	-------------

Wheel size
------------

All
-----

<b>M13I</b>	<p><b>Mount grinder or buffer onto pedestal</b></p> <p>Price does not include the grinder or buffer, pedestal or any accessories.</p>	Two Days
-------------	---	-------------

Wheel size
------------

All
-----

### Starters

<p><b>Add magnetic or manual starter to grinder or buffer</b></p> <p>Mounted and wired on ABB industrial grinders and buffers. Starters are in NEMA 1 enclosure and have the push button in cover. Available only as factory installed options. Lead time is dependent on delivery of the starter. Price of the starter is included.</p>	Two Days
--	-------------

<b>M36A</b>	<p><b>Starter – single phase</b></p> <p>Full voltage control. Some modifications cannot be performed on UL, CSA, or UL/CSA certified grinders, buffers, or belt sanders without voiding the certification. In such instances, the certification mark(s) would need to be removed. Please contact your ABB representative.</p>
-------------	---

Grinder	Buffer
<b>Wheel size</b>	<b>Hp</b>
6"	1/3
7"	N/A
8"	3/4
10"	1
N/A	1-1/2
12"	2

Note: Specify voltage when ordering.



## Motor MOD Express

Modification number	Motor MOD Express Description and list price	Working days Required
---------------------	--	-----------------------

### Starters continued...

#### M36B

#### Starter – three phase

Full voltage control. Price of the starter is included. Some modifications cannot be performed on UL, CSA, or UL/CSA certified grinders, buffers, or belt sanders without voiding the certification. In such instances, the certification mark(s) would need to be removed. Please contact your ABB representative.

Two  
Days

Grinder	Buffer
Wheel size	Hp
7"	N/A
8"	N/A
10"	3/4
12"	1
12"	2

Note: Specify voltage when ordering.

\*Price includes allowance for omission of standard starter.

#### M36C

#### Magnetic starter – three phase

With low voltage control. Price of the starter is included. Some modifications cannot be performed on UL, CSA, or UL/CSA certified grinders, buffers, or belt sanders without voiding the certification. In such instances, the certification mark(s) would need to be removed. Please contact your ABB representative.

Two  
Days

Grinder	Buffer	Magnetic with 110 volt control circuit transformer
Wheel size	Hp	
7"	N/A	
8"	N/A	
10"	3/4	
12"	1	
12"	2	
14"	5	
14"	7-1/2	

Note: Specify voltage when ordering.

\*Price includes allowance for omission of standard starter.

#### M36D

#### Overload protection for dust control unit

Price of the starter is included.

Two  
Days

NEMA frame
All

Must be used with magnetic control. Contact ABB for details.

### Voltage

#### M37A

#### Change a grinder dust control unit from 230/460 volts to 575 volts

Two  
Days

NEMA frame
All

## General information

This catalog shows the most commonly requested replacement parts for ABB grinders, buffers, dust control units and accessories. For replacement parts not shown, please provide complete description and nameplate data especially noting the ABB specification number (spec. no.). Please contact your local ABB representative for pricing and availability.

### Freight policy

Shipments of stock grinders and buffers shown in this catalog are made with the selling terms of F.O.B. factory, Fort Smith distribution center, or a ABB district warehouse. International shipments – Ex works, non-stock items – F.O.B. factory. ABB will prepay and absorb freight charges, on a carrier chosen by ABB, to the first destination in the continental United States on shipments of 1500 pounds or more. Exceptions may apply on shipments of certain stock products. Contact your ABB district office for these exceptions.

### Warranty for ABB grinder / buffer products

ABB grinder/buffer products, including dust control units, are warranted for 3 full years against burnouts, defective material and workmanship. Warranty covers all parts except those subject to normal wear such as wheels. The serial number indicates the month and year of manufacture — this determines the warranty period.

### Typical nameplate

<b>BALDOR</b>			
CAT. NO.			
H.P.	VOLTS		
PHASE	AMPS		
HZ.	R.P.M.		
FRAME	SERIAL NO.		
SPEC. NO.			
MANUFACTURED IN U.S.A. BY BALDOR ELECTRIC CO.			

Instruction sheets for ABB grinder/buffer products are available  
See listing on parts page

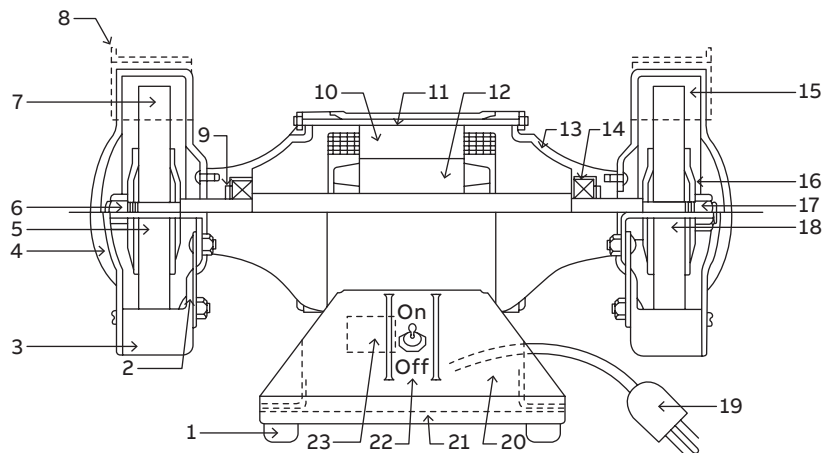
### Touch-up paint – Aerosol can

Gray – #MG1000G23-ASP

Red – #MG1000R01-ASP

## Replacement parts

### 7" grinders, 1/4 Hp & 1/3 Hp buffers



- Instruction Sheet for 7" thru 14" grinders — MN903 — is available at no charge.
- Instruction sheet for buffers — MN906 — is available at no charge.
- Instruction sheet for grinder-buffers — MN907 — is available at no charge.

Item #	Part description	Part number 7"
1	Rubber feet	RM1005A01SP
*2	Tool rest support, pressed steel	HA6048A01SP
*2A	Tool rest support, cast iron	HA6064A01SP
*3	Guard, non-exhaust type (right hand or left hand)	G7FH3800SP
*3A	Guard, exhaust type (right hand) cast iron	G7FH1802A01SP
*3B	Guard, exhaust type (left hand) cast iron	G7FH1800A01SP
*4	Guard cover, non-exhaust type (right hand or left hand)	G7FH3801SP
*4A	Guard cover, exhaust type (right hand) cast iron	G7FH1803A01SP
*4B	Guard cover, exhaust type (left hand) cast iron	G7FH1801A01SP
*5	Tool rest, pressed steel (right hand or left hand)	G7AP1010A01SP
*5A	Tool rest, cast iron, (right hand or left hand)	G6AP1008A01SP
6	Arbor nut (left hand)	XY6311A62SP (5/8-11)
*7	Grinding wheel	B73
*8	Spark arrestor, solid type (use with non-exhaust wheel guards)	G6AP1003A01SP
*8A	Spark arrestor, slotted type (use with exhaust wheel guards)	G6AP1002A01SP
9	Felt washer	HA1025A02
10	Wound stator assembly	Specify spec. no.
11	Thru bolt	HA3100A11
12	Rotor, with shaft & bearings	Specify spec. No.
13	Endplate (right hand or left hand)	G7EP3900A01
14	Bearing	BG6203C03
*15	Grinding wheel	B74
16	Wheel flange, inside or outside, pressed steel	HA6115A01SP
16A	Wheel flange, inside or outside, cast	HA6096A01SP
17	Arbor nut (right hand)	XY6311A12 SP (5/8-11)
*18	Tool rest, pressed steel (right hand or left hand)	G7AP1010A01SP
*18A	Tool rest, cast iron (right hand or left hand)	G6AP1008A01SP
19	Cord and plug	LD5001A07
20	Base	G7BA3000
21	Base cover	G7CB4500
22	Switch on - off (single phase)	SP9000 SP
22A	Switch on - off (three phase)	SP9004
23	Relay	None
N/S	Capacitor	Specify spec. no.
**N/S	Vinyl cap	None
N/S	Spacers for wire brush wheels	(2 req'd.) HA2047A01
N/S	Spacer, flange (for non-exhaust type)	HA2072
N/S	Spacer, flange (for exhaust type)	HA2040A01SP

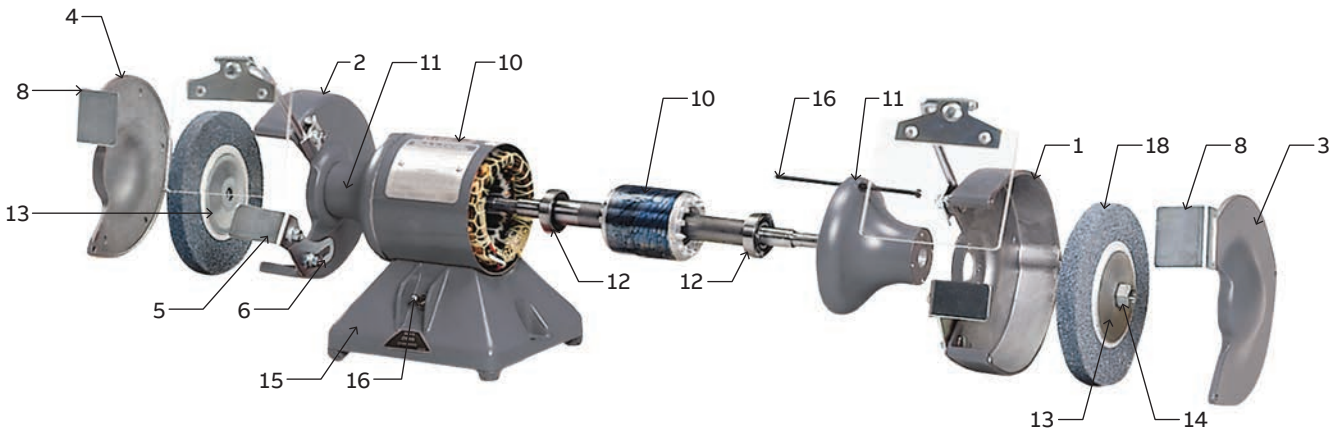
\*Grinders only.

\*\*Buffers only.

N/S – Not shown on diagram.

## Replacement parts

8" thru 14" grinders, 3/4 Hp thru 10 Hp buffers



Item #	Part description	Part number 8"	Part number 10"	Part number 12"	Part number 14"
*1	Guard (right hand)	G8FH1800A01SP	G0FH1806A01	G2FH1804A01	G4FH1800A01
*2	Guard (left hand)	G8FH1802A01SP	G0FH1807A01SP	G2FH1805A01	G4FH1801A01
*3	Guard cover (right hand)	G8FH1801A01SP	G0FH1805A01SP	G2FH1806A01	G4FH1802A01
*4	Guard cover (left hand)	G8FH1803A01SP	G0FH1804A01	G2FH1807A01	G4FH1803A01
*5	Tool rest (right hand or left hand)	G8AP1003A01SP	G8AP1003A01SP	G2AP1002A01SP	G2AP1002A01SP
*6	Tool rest support (right hand or left hand)	HA6099A01SP	HA6101A01SP	HA6049A01SP	HA6049A01SP
7	Arbor nut (left hand)	XY7510A62SP	XY8809A62SP	XZ2007A62SP	XZ2007A62SP
*8	Spark arrestor	G6AP1002A01SP	G0AP1002SP	G2AP1001	G2AP1001
9	Wound stator assembly	Specify spec. no.	Specify spec. no.	Specify spec. no.	Specify spec. no.
10	Rotor with shaft & bearings, (less nuts & flanges)	Specify spec. no.	Specify spec. no.	Specify spec. no.	Specify spec. no.
11	Endplate (right hand or left hand)	G8EP3900A01SP	G8EP3900A01SP	G2EP1900A01	G4EP1900A01
12	Bearing	BG6206E03	BG6206E03	BG6208E03	BG6309E03
13	Wheel flange, inside or outside	HA6098	HA6100SP	HA6051SP	HA6051SP
14	Arbor nut (right hand)	XY7510A12SP	XY8809A12SP	XZ2007A12SP	XZ2007A12
15	Base	G8BA3000A01	G8BA3000A01	G2BA1000A01	G4BA1000A01
16	Switch on - off (single phase)	SP9000SP	SP9000SP	None	None
16A	Switch on - off (three phase)	SP9004	SP9004	None	None
N/S	Base cover	G8CB4500A02	G8CB4500A02	G2CB4500	None
N/S	Cord & plug (single phase)	LD5001A02	None	None	None
N/S	Capacitor, electrolytic (single phase)	None	None	ECI645A06SP	None
N/S	Starter bracket	None	None	Specify spec. no.	Specify spec. no.
N/S	Starting relay (single phase)	None	None	RE5019	None
N/S	Capacitor (oil type) (single phase)	Specify spec. no.	Specify spec. no.	None	None
17	Thru bolts	HA3100A14	HA3100A14	HA3104A13	HA3104A14
N/S	Rubber feet	RM1005A01SP	RM1005A01SP	None	None
**N/S	Bearing retainer	RB3010	RB3010	RB1029A01	RB1028A01
**N/S	Vinyl cap to cover arbor nut	RM1010A06	RM1010A05SP	RM1010A07	RM1010A07
**N/S	Spacer	HA2048A01SP	HA2050A01	None	None
*18	Grinding wheel				-

• Instruction sheet for 6" thru 14" grinders — MN903 — is available at no charge.

• Instruction sheet for buffers — MN906 — is available at no charge.

• Instruction sheet for grinder-buffers — MN907 — is available at no charge.

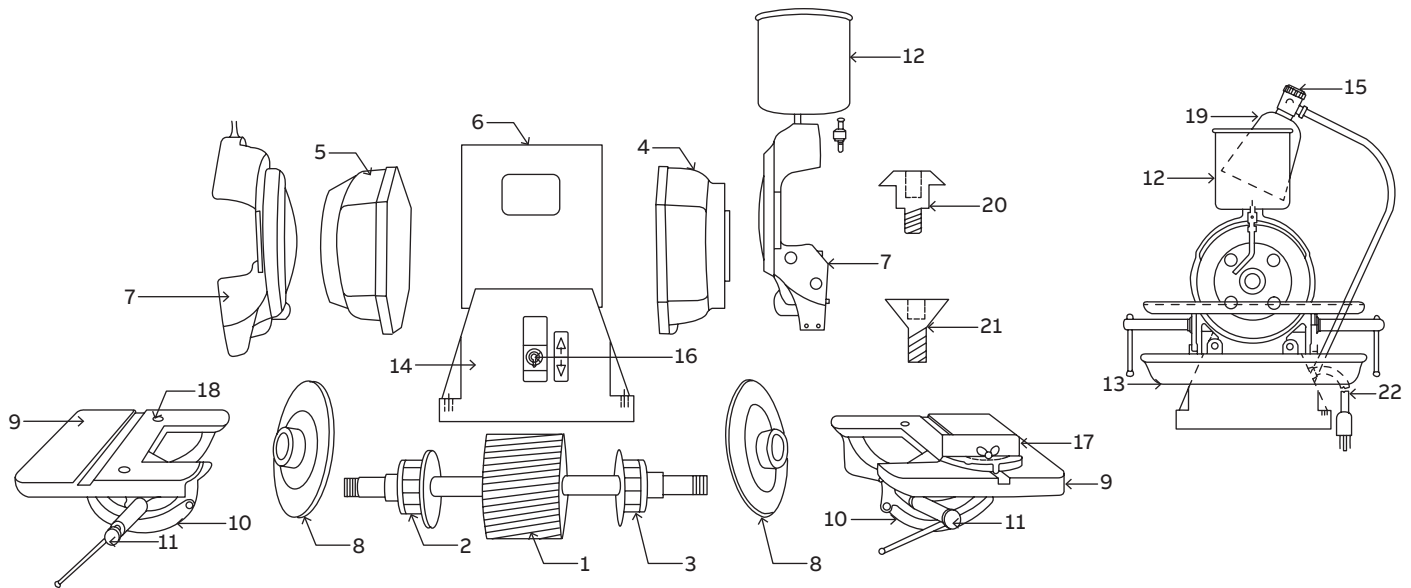
N/S = Not shown on diagram.

\* Grinders only.

\*\* Buffers only.

## Replacement parts

### Carbide & diamond wheel grinders



Item #	Part description	Part number	Shipping weight
1	Rotor, with shaft and bearings	Specify spec. no.	18.0
A2	Ball bearing	BG6204E03	1.5
B3	Ball bearing	BG5204C03	1.5
4	Endplate (right hand for carbide grinders)	G9EP1900A03	5.0
4A	Endplate (right hand for diamond wheel grinders)	G9EP1900A10	5.0
5	Endplate, left hand	G9EP1900A02	5.0
6	Wound stator assembly	Specify spec. no.	21.0
7	Guard, wheel (right hand or left hand)	G9FH1800A01	9.0
8	Flange, wheel (right hand or left hand)	HA6104^A01SP	1.0
9	Tool table, less rocker (right hand or left hand)	G9AP1000A01	7.5
10	Rocker for table	G9AP1003A01SP	1.0
11	Clamp with handle	HA5001A01SP	1.0
12	Water pot and water cock	G9AP5001A01	3.0
13	Water tray	G9AP1001A01	9.5
14	Base	G8BA3000A02	4.0
15	Machine tool light	G9AP1006A01SP	2.5
16	Switch (115 volt - single phase)	SP9019SP	1.0
16A	Switch (three phase)	SP9035SP	1.0
17	Tool rest (protractor type)	G9AP5000A01SP	1.0
18	Screws for tool table	HA3407A01	1.0
19	Shade only (for light)	G9AP1006SP	1.0
20	Screw for mounting wheel	HA3007A01SP	1.0
21	Screw for mounting diamond wheels	91XN2520A12	1.0
22	Cord and plug	LD5001A02	1.0
N/S	Arbor nut (3/4 x 16 jam nut)(right hand or left hand)	HA3203A12	1.0
N/S	Base cover	G8CB4500A02	1.0
N/S	Capacitor 12 mfd.	OC3012F12SP	1.0
N/S	Pointer (angle) (right hand)	G9AP1005A01	1.0
N/S	Pointer (angle) (left hand)	G9AP1005A02	1.0
N/S	Slinger for shaft	HA1005A03SP	1.0
N/S	Thru bolts	HA3100A45	1.0
N/S	Vinyl cap (arbor nut cover)	RM1010A06	1.0
N/S	Instruction sheet	MN905 - 281H	-

N/S = Not shown on diagram

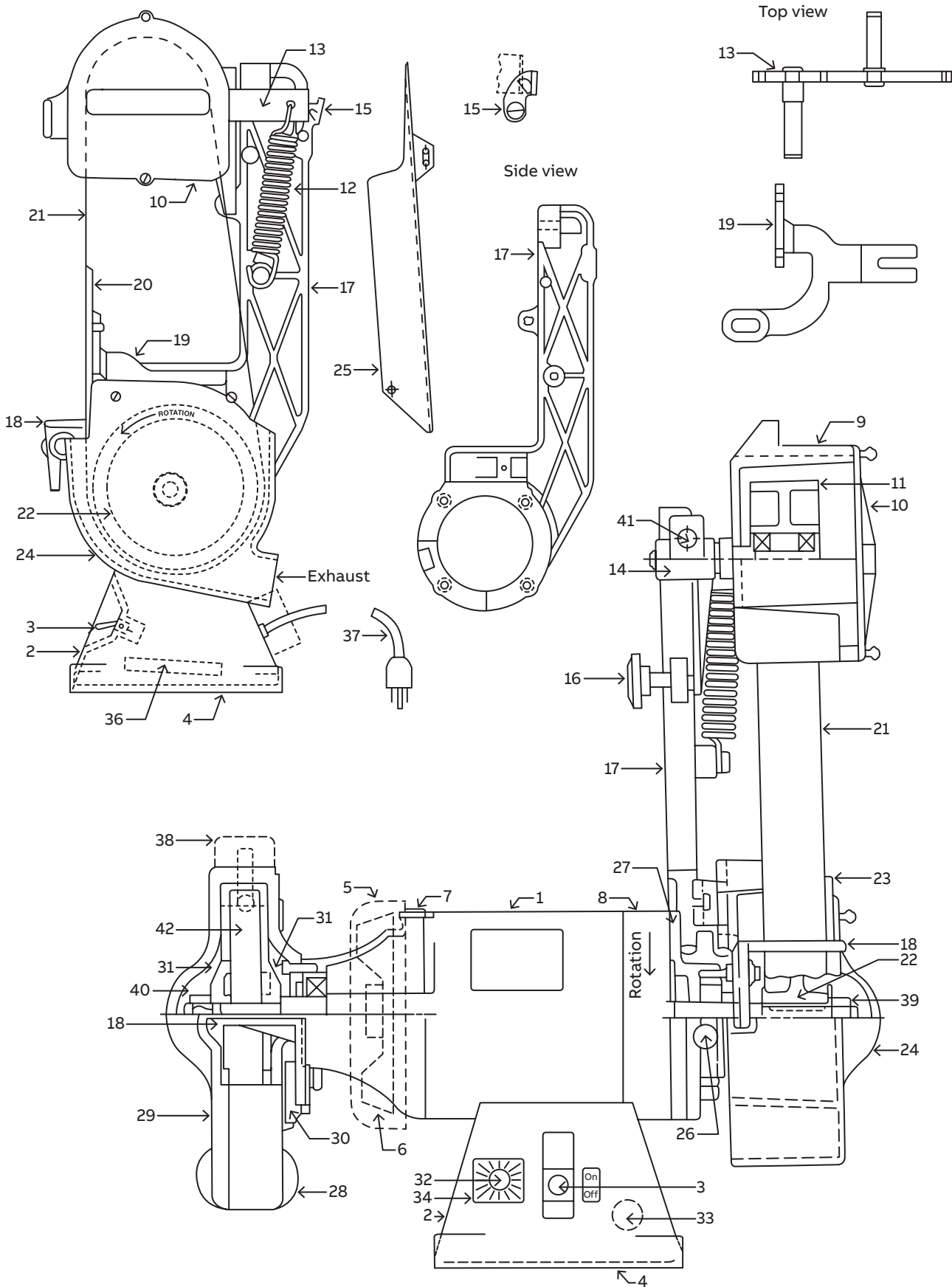
A==Bearing for left and right side of carbide grinders and left side of diamond wheel grinders

B= Bearing for right side of diamond wheel grinders only.



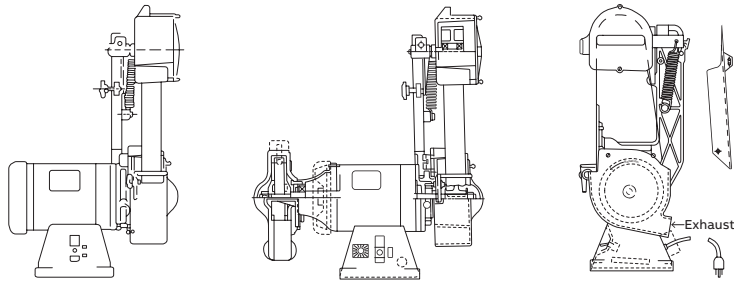
## Replacement parts

### Abrasive belt grinders



## Replacement parts

### Abrasive belt grinders



Item #	(1)	(2)	(3)	(4)	(5)	(6)	(7)	(8)	Part description	Part number	Shipping weight
1	✓								Motor — #2048-151D (spec. no. B2-3A)	35H713W811	47
1A		✓							Motor — #2048-153D (spec. no. B2-3C)	35H714-82	39
1B			✓						Motor — #248-151TD (spec. no. B2-5A)	35G400W811	47
1C				✓					Motor — #248-153TD (spec. no. B2-5C)	35H410-82	39
1D					✓				Motor — #248-181TD (spec. no. B2-6D)	G8-0378-0350	56
1E						✓			Motor — #248-183TD (spec. no. B2-6C)	G8-319-318	52
1F							✓		Motor — #248-151AS (spec. no. B2-8A)	35P486Z331	54
1G								✓	Motor — #248-251AS (spec. no. B2-8C)	35P486Z332	44
2					✓	✓			Base	G8BA3000A01	4
2A		✓		✓					Base	G8BA3000A07	4
2B	✓		✓						Base	G8BA3000A10	4
3	✓		✓		✓		✓	✓	On - off switch (single phase)	SP9002SP	1
3A		✓		✓		✓			On - off switch (three phase)	SP9004	1
4	✓	✓	✓	✓		✓	✓	✓	Base cover	G8CB4500A02	1
4A					✓				Base cover	G8CB4500A05	1
5	✓	✓	✓	✓			✓	✓	Fan cover	35FH4005A01SP	1.5
6	✓	✓	✓	✓			✓	✓	Fan – external	35FN3002A05SP	1
7	✓	✓	✓	✓					Endplate (left hand for motor)	35EP3100A02SP	1.5
7A					✓	✓			Endplate (left hand for motor)	G8EP3900A01SP	2
7B							✓	✓	Endplate (left hand for motor)	35EP3106A16	1.5
8	✓			✓	✓				Endplate (right hand for motor)	35EP3300A33	2
8A		✓	✓						Endplate (right hand for motor)	35EP3300A44	2
8B						✓			Endplate (right hand for motor)	35EP3300A02SP	2
8C							✓	✓	Endplate (right hand for motor)	35EP1318A04	2
9	✓	✓	✓	✓	✓	✓	✓	✓	Guard for idler wheel	B2FH2801A01SP	3.5
10	✓	✓	✓	✓	✓	✓	✓	✓	Guard cover for idler wheel	B2FH2808A01SP	1
11	✓	✓	✓	✓	✓	✓	✓	✓	Idler wheel with bearings	B2AP3003A01SP	2.5
12	✓	✓	✓	✓	✓	✓	✓	✓	Tension spring for idler wheel	HA7001A01SP	1
13	✓	✓	✓	✓	✓	✓	✓	✓	Idler arm – less wheel	HA5004A01SP	2
14	✓	✓	✓	✓	✓	✓	✓	✓	Tracking arm	HA6134A01SP	1.5
15	✓	✓	✓	✓	✓	✓	✓	✓	Latch stop – for idler arm	B2AP1000A01	1
16	✓	✓	✓	✓	✓	✓	✓	✓	Adjusting knob – for tracking	HA5000A01	1

\* Belt guard kit – to replace plastic guard on #2048-151D and 153D manufactured before 1985.

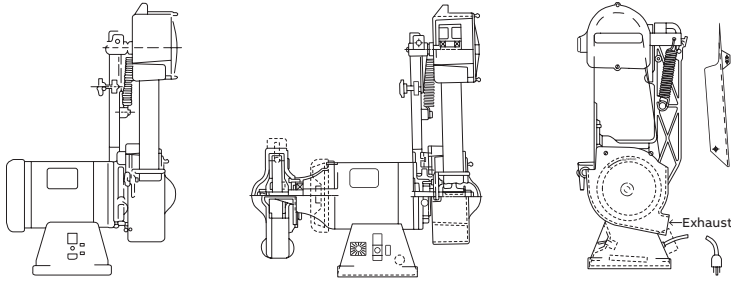
N/S = Not shown on diagram.

Instruction sheet for belt grinders MN902 – is available at no charge.

- (1) #2048-151D spec. #B2 - 3A
- (2) #2048-153D spec. #B2 - 3C
- (3) #248-151TD spec. #B2 - 5A
- (4) #248-153TD spec. #B2 - 5C
- (5) #248-181TD spec. #B2 - 6D
- (6) #248-183TD spec. #B2 - 6C
- (7) #248-151AS spec. #B2 - 8A
- (8) #248-251AS spec. #B2 - 8B

## Replacement parts

### Abrasive belt grinders



Item #	(1)	(2)	(3)	(4)	(5)	(6)	(7)	(8)	Part description	Part number	Shipping weight
17			✓	✓	✓	✓	✓	✓	Bracket – idler pivot arm	HA6218A01	5
17A	✓	✓							Bracket – idler stationary arm	HA6218A02	5
18	✓	✓	✓	✓	✓	✓	✓	✓	Tool rest	G8AP1003A01SP	1.5
19	✓	✓	✓	✓	✓	✓	✓	✓	Support for tool rest and platen	HA6068A02	2
20	✓	✓	✓	✓	✓	✓	✓	✓	Platen only	B2AP1005A02	1.5
21	✓	✓	✓	✓	✓	✓	✓	✓	Abrasive belt 2" x 48" – 80 grit	AB248	1
22	✓	✓	✓	✓	✓	✓	✓	✓	Contact wheel – 7" x 2"	B2AP5001A01SP	2.5
23	✓	✓	✓	✓	✓	✓	✓	✓	Guard – for contact wheel	B2FH2806A01SP	1
24	✓	✓	✓	✓	✓	✓	✓	✓	Guard cover (inside) for contact wheel	B2FH2811A01SP	3
24A	✓	✓	✓	✓	✓	✓	✓	✓	Guard cover (outside) for contact wheel	B2FH2810A01SP	3
25	✓	✓	✓	✓	✓	✓	✓	✓	Belt guard – rear portion	B2FH2809A01SP	2
26			✓	✓	✓	✓	✓	✓	Pull knob – for pivot arm	HW2404A01	1.5
27			✓	✓	✓	✓	✓	✓	Adapter for pivot arm	HA6219A01	5
28					✓	✓			Wheel guard (left hand)	G8FH1802A01SP	10
29					✓	✓			Guard cover (left hand)	G8FH1803A01SP	7
30					✓	✓			Tool rest support	HA6099A01SP	1
31					✓	✓			Wheel flange (inside and outside)	HA6098	2
32							✓	✓	Speed control knob kit	BC149	1
33							✓		Plug-in resistor (speed control)	WD3007A12	1
33A								✓	Plug-in resistor (speed control)	WD3007A10	1
34							✓	✓	Potentiometer kit (speed control)	BC148	1
36							✓		Electronic speed control board	CN3000A18SP	1
36A								✓	Electronic speed control board	CN3000A01SP	2
37	✓		✓						Cord with plug (115 volt)	LD5014	1
38					✓	✓			Spark arrestor	G6AP1002A01SP	1
39	✓	✓	✓	✓	✓	✓	✓	✓	Arbor nut (right hand)	XY7510A12SP	1
40					✓	✓			Arbor nut (left hand)	XY7510A62SP	1
41	✓	✓	✓	✓	✓	✓	✓	✓	Pivot shaft – for tracking arm	HA3504A01	1
42					✓	✓			Grinding wheel – 8" x 1" x 3/4" – 36 grit	B80	5
N/S							✓		Brush (replacement carbon brush)	BP5000T07SP	1
N/S								✓	Brush (replacement carbon brush)	BP5000T15SP	1
N/S									*Belt guard kit	A641	18

\* Belt guard kit – to replace plastic guard on #2048-151D and 153D manufactured before 1985.

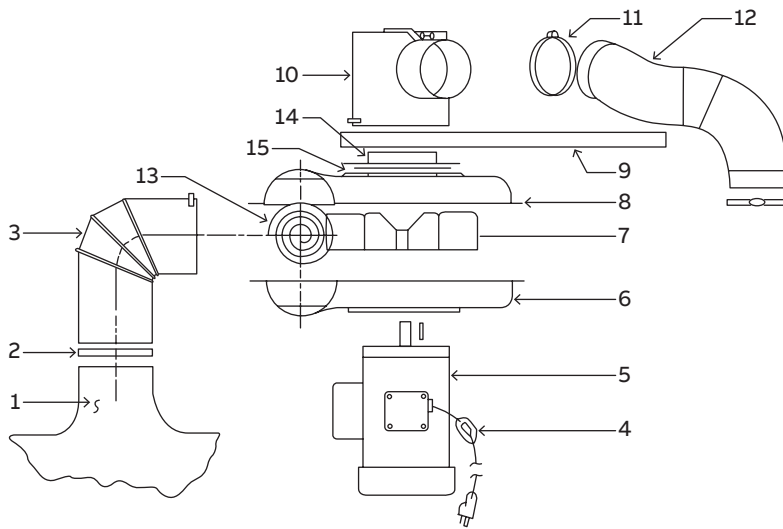
N/S = Not shown on diagram.

Instruction sheet for belt grinders MN902 – is available at no charge.

- (1) #2048-151D spec. #B2 - 3A
- (2) #2048-153D spec. #B2 - 3C
- (3) #248-151TD spec. #B2 - 5A
- (4) #248-153TD spec. #B2 - 5C
- (5) #248-181TD spec. #B2 - 6D
- (6) #248-183TD spec. #B2 - 6C
- (7) #248-151AS spec. #B2 - 8A
- (8) #248-251AS spec. #B2 - 8B

## Replacement parts

### Dust control accessories

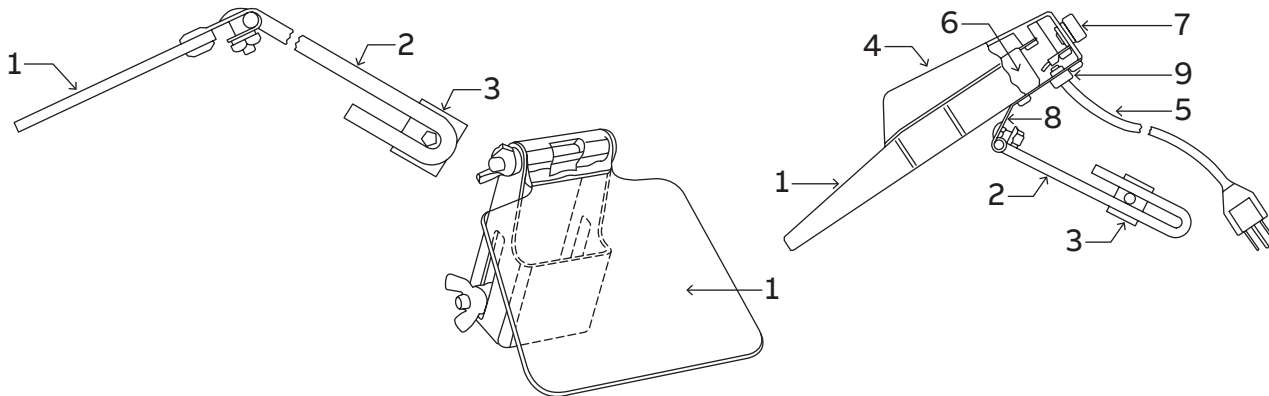


Item #	DC7	DC8	DC10	DC12	DC14-3	Part description	Part number
1	✓	✓	✓	✓		Dust bag (treated with flame retardant)	ARB-1
1A					✓	Dust bag (treated with flame retardant)	ARB-2
2	✓	✓	✓	✓		Bag clamp and hose clamp 4" diameter	31379CF
2A					✓	Bag clamp and hose clamp 6" diameter	31244CF
3	✓	✓	✓	✓		Bag elbow 4" diameter	51269
3A					✓	Bag elbow 6" diameter	51111
4	✓	✓	✓	✓		Power cord w/switch (115 volts only)	LD5022A01
5	✓	✓	✓	✓		3-phase 1/2 Hp motor	VM3537
5A	✓	✓	✓	✓		1-phase 1/2 Hp motor	VL3503
5B					✓	3-phase 1Hp motor	VM3545
6	✓	✓	✓	✓		Motor side blower housing SPB-9	34025
6A					✓	Motor side blower housing SPB-12	34029
7	✓	✓	✓	✓		Blower wheel, 10-5/8" x 2-5/8", 5/8" bore	5530602
7A					✓	Blower wheel, 11" x 3" BC, 5/8" bore	55098-02
8	✓	✓	✓	✓		Blower housing, inlet side	34026
8A					✓	Blower housing, inlet side	34030
9	✓	✓	✓	✓		Mounting plate	03253
9A					✓	Mounting plate	03255
10	✓	✓				Inlet box with 3" ports	51229
10A			✓			Inlet box with 4" ports	51230
10B				✓		Inlet box with 5" ports	51231
10C					✓	Inlet box with 5" ports	51081
11	✓	✓				Hose clamp, 3" diameter	31013
11A			✓			Hose clamp, 4" diameter	-
11B				✓	✓	Hose clamp, 5" diameter	31016
12	✓	✓				Hose, 3" diameter, 14" long	31100
12A			✓			Hose, 4" diameter, 14" long	31101
12B				✓	✓	Hose, 5" diameter, 18" long	31496
13	✓	✓	✓	✓		Discharge guard	29330
13A					✓	Discharge guard	-
14	✓	✓	✓	✓		Inlet collar	-
14A					✓	Inlet collar	-
15	✓	✓	✓	✓		Inlet guard	-
15A					✓	Inlet guard	-

Suffix letter (A -B) is similar to number shown above

## Replacement parts

### Eyeshields



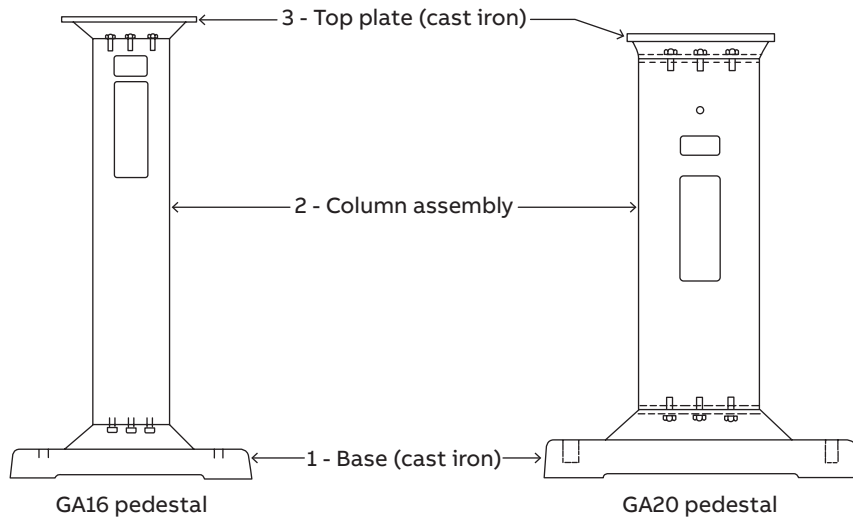
Item #	Part description	GA10 (G6-220)	GA11 (A-516)	GA9 (G7-236) and GA9S (G7-281) <sup>(1)</sup>
		Part number	Part number	Part number
1	Plexi-glass pane	G6AP5001A01A <sup>(2)</sup>	G7AP5003A01SP <sup>(2)</sup>	G7AP1007A01SP
2	Mounting arm	HA6093A01 SP	HA6103A01SP	HA6103A01SP
3	Mounting arm clamp	HA6094A01 SP	HA6094A01SP	HA6094A01SP
4	Frame	-	-	G7AP1006
5	Cord with plug	-	-	LD5001A02
6	Lamp socket	-	-	WD4003A01
7	On - off switch (GA9S and GA9SR only)	-	-	SP9026
8	Swivel bracket (bulb socket retainer plate)	-	-	HA6102A01SP
9	Cord strain relief	-	-	WD4102A01

(1) Parts for GA9 and GA9S also apply to GA9R and GA9SR. No bulbs are supplied. Rough service bulbs are suggested, maximum 60 watts.

(2) Plexi-glass pane on GA10 and GA11 include mounting bracket. Instruction sheet MN909 – is available at no charge.

## Replacement parts

### Pedestals



Item #	Part description	GA16	GA20
		Part number	Part number
1	Base (cast iron)	G6BA1001A01	G8BA1002A01
2	Column assembly	G8BA5000A03	G8BA5000A01
3	Top plate (cast iron)	HA6069A01	G8BA1001A01