

SABER®

ATD-80447

150 LUMEN FOLDABLE POCKET THIN LIGHT Owner's Manual



Features:

- (2) 150 constant lumen COB LEDs deliver wider and brighter lighting areas
- Memory function records setting after 5 seconds, and that setting is recalled the next time device is activated
- Ultra-thin design pivots 180° to allow inspection in the tightest work areas and folds flat for pocket storage
- 75 lumen LED top light provides an additional flashlight function
- Battery indicator shows charging progress
- Automatic shut-off and overcharge protection for optimal battery life
- Low battery warning indicates charging will be required soon
- Includes USB-C charging cord

Specifications:

- Length: 12" (6.4375" folded)
- Top SMD LED Lumens: 75
- Top SMD LED Runtime: 2.5 hours
- Main COB LED Lumens: 75 low/150 high
- Main COB LED Runtime: 3.5 hours low/1.8 hours high
- Rear COB LED Lumens: 150
- Rear COB LED Runtime: 1.8 hours
- 3.7V, 700mAh lithium-ion rechargeable battery

Operating instructions

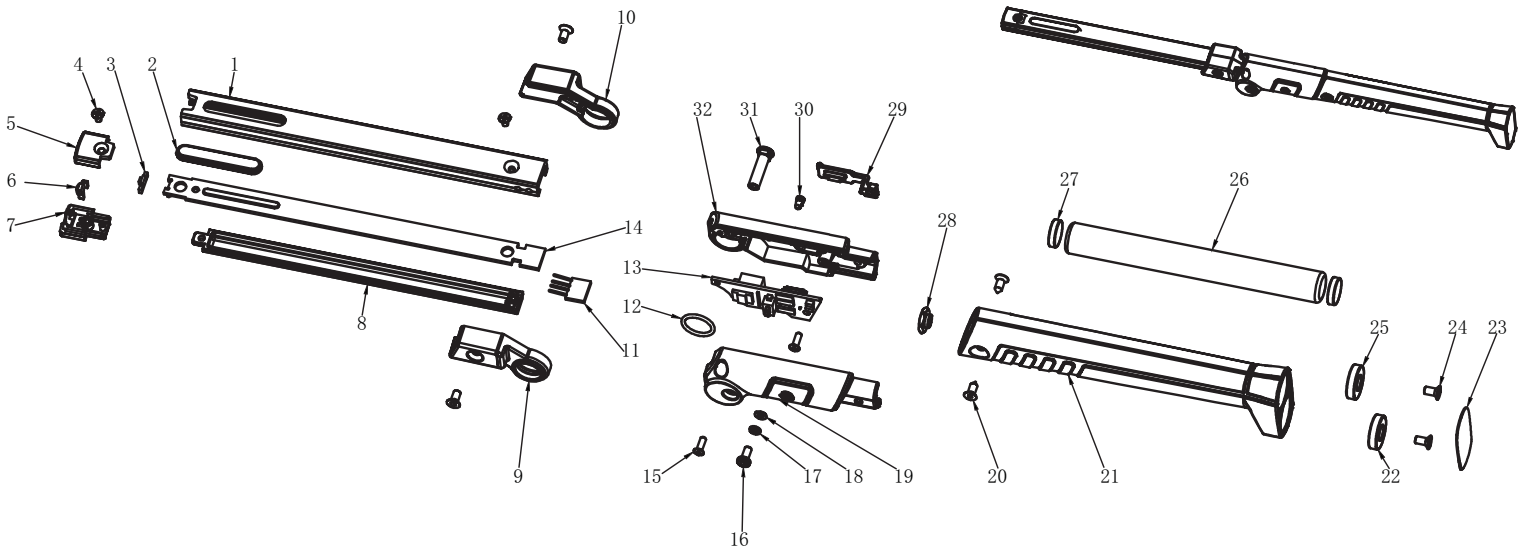
- To use, plug the unit into any 110-120V AC power source or 5V DC USB port. Let the unit fully charge until the LED lights up on the charging indicator before use.
- Press the switch once for top bulb, twice for front LED low, three times for front LED high, four times for rear bulb.
- Memory function - Setting is recorded after 5 seconds of activation and is recalled the next time device is activated.
- Low battery warning indicator - light will flash three times to indicate that the unit needs charging soon.
- Charge the light after each use if it is used often to ensure longevity. Charge light every month if it is not in constant use.

Cautions

- **DO NOT USE** in or around tubs, showers, sinks, pools, hot tubs, or in any wet environment.
- Use only the recommended voltage and frequency requirements.
- Keep out of reach of children.
- Do not operate light with wet hands.
- Keep lamp away from hot objects.

REPLACEMENT PARTS

Not all components of this product are replacement items, but are illustrated as a convenient reference for position in the assembly sequence. When ordering parts, give model number, part number and description. Call your distributor for current pricing:



ITEM#	ORDERING PART#	PART DESCRIPTION
1	PRT80447-01	WL3110 BODY
2	PRT80447-02	LENS
3	PRT80447-03	TOP LIGHT PCBA
4	PRT80447-04	CROSS SCREW
5	PRT80447-05	BACK TOP LIGHT COVER
6	PRT80447-06	TOP LIGHT LENS
7	PRT80447-07	FRONT TOP LIGHT COVER
8	PRT80447-08	LENS
9	PRT80447-09	LEFT SPINDLE
10	PRT80447-10	RIGHT SPINDLE
11	PRT80447-11	WIRE
12	PRT80447-12	O-RING
13	PRT80447-13	PCBA
14	PRT80447-14	COB
15	PRT80447-15	CROSS SCREW
16	PRT80447-16	SCREW

ITEM#	ORDERING PART#	PART DESCRIPTION
17	PRT80447-17	SPRING WASHER
18	PRT80447-18	FLAT GASKET
19	PRT80447-19	LEFT COVER
20	PRT80447-20	CROSS SCREW
21	PRT80447-21	HOUSING
22	PRT80447-22	BOTTOM MAGNET
23	PRT80447-23	MAGNET STICKER
24	PRT80447-24	SCREW
25	PRT80447-25	BOTTOM MAGNET
26	PRT80447-26	BATTERY
27	PRT80447-27	EVA
28	PRT80447-28	NUT
29	PRT80447-29	CHARGING CAP
30	PRT80447-30	LIGHT PIPE
31	PRT80447-31	SCREW
32	PRT80447-32	RIGHT COVER



THIS WARRANTY AND CONFIRMED RECEIPT(S) SHOULD BE RETAINED BY THE CUSTOMER AT ALL TIMES

PURCHASED FROM: _____

DATE PURCHASED: _____

INVOICE/RECEIPT NUMBER: _____

Your ATD-80447 is warranted for a period of 12 months from the original purchase date.

For a period of one (1) year from your purchase date, ATD Tools, Inc. will repair or replace (at its option) without charge, your ATD product if it was purchased new and the product has failed due to a defect in material or workmanship which you experienced during normal use of the product. This limited warranty is your exclusive remedy.

To access the benefits of this warranty, contact your supplier, or point of sale directly. You may be advised to return the product under warranty, freight prepaid, to your supplier for warranty determination.

If this ATD product is altered, abused, misused, modified, or undergoes service by an unauthorized technician, your warranty will be void. We are not responsible for damage to ornamental designs you place on this ATD product and such ornamentation should not cover any warnings or instructions or they may void the warranty. This warranty does not cover scratches, superficial dents, and other abrasions to the paint finish that occur under normal use. It also does not cover normal wear items such as but not limited to brushes, batteries, drill bits, drill chucks, pads or blades.

Subject to the law in your state:

- (1) Your sole and exclusive remedy is repair or replacement of the defective product as described above.
- (2) ATD is not liable for any incidental damages, including but not limited to, lost profits and unforeseeable consequences.
- (3) The repair and replacement of this product under the express limited warranty described above is your exclusive remedy and is provided in lieu of all other warranties, express or implied. All other warranties, including implied warranties and warranties of merchantability or fitness for a particular purpose are disclaimed and, if disclaimer is prohibited, these warranties are limited to one year from your date of purchase of this product.

Some states' laws do not allow limited durations on certain implied warranties and some states' laws do not allow limitations on incidental or consequential damages. You should consult the law in your state to determine how your rights may vary.

[Affix receipt or invoice here for safe keeping]