



ATD-80390A 700 LUMEN LED RECHARGEABLE TUBE LIGHT Owner's Manual



FEATURES:

- 700 constant lumen COB LED delivers a wider and brighter lighting area
- Memory function records setting after 5 seconds, and that setting is recalled the next time device is activated
- Removable lithium-ion battery pack can be used as USB power source for charging electronic devices
- 80 lumen LED top light provides an additional flashlight function
- Battery indicator shows battery level and charging progress
- Removable swivel hooks with magnets allow hands-free use
- Automatic shut-off and overcharge protection for optimal battery life
- Includes USB Type-C charging cord

SPECIFICATIONS:

- Length: 16.25"
- Top SMD LED Lumens: 80
- Top SMD LED Run Time: 10 hours
- Main COB LED Lumens: 350 low/700 high
- Main COB LED Run Time: 4.5 hours low/2.25 hours high
- ATD-80391 - 3.65V, 4000mAh lithium-ion rechargeable battery pack

Operating Instructions

- Charge with the included USB Type-C cable: plug the unit into any 110-120V AC power source or 5V DC USB port. Let the unit fully charge until the four indicator lights above the charging port all light up.
- Press the switch once for top light, twice for front LED low power, three times for front LED high power and four times to turn off.
- Memory function - Setting is recorded after 5 seconds of activation and is recalled the next time device is activated.
- Charge the light after each use if it is used often, to ensure longevity. Charge light every month if it is not in constant use.
- To change the battery, simply unscrew the end of the light and slide the old battery out. Replace with ATD-80391 batteries only.

Cautions

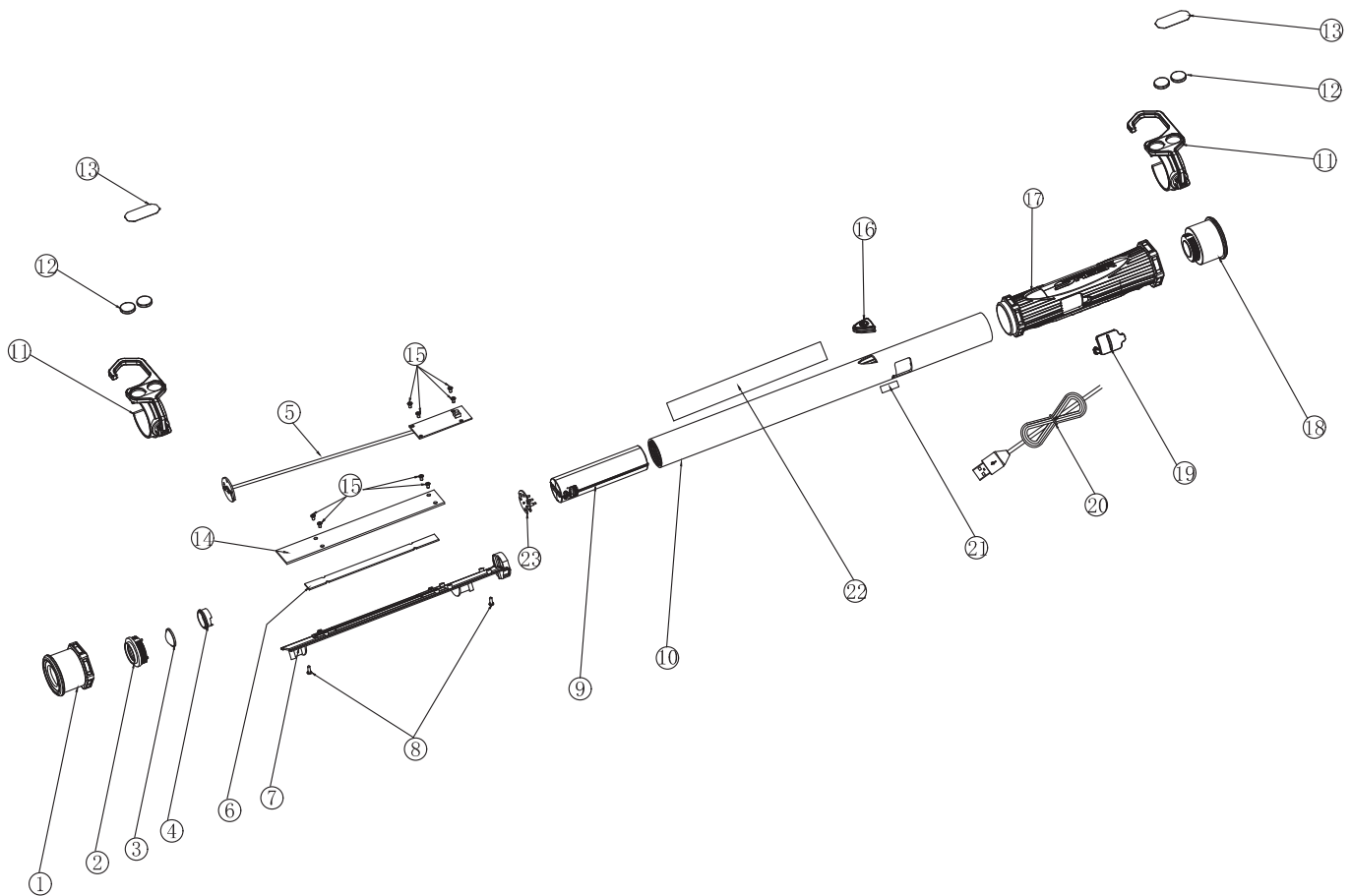
- For Indoor use only – DO NOT use in or around tubs, showers, sinks, pools, hot tubs, or in a wet environment.
- Use only the recommended voltage and frequency requirements.
- Keep out of reach of children.
- DO NOT operate light with wet hands.
- Keep light away from hot objects.
- DO NOT leave light in direct sunlight for prolonged lengths of time.

SABER®

ATD-80390A

REPLACEMENT PARTS

Not all components of this product are replacement items, but are illustrated as a convenient reference for position in the assembly sequence. When ordering parts, give model number, part number and description. Call your distributor for current pricing:



ITEM#	ORDERING PART#	PART DESCRIPTION
1	PRT80360A-01	TOP CAP
2	PRT80360A-02	TOP COVER
3	PRT80360A-03	LENS
4	PRT80360A-04	REFLECTOR CUP
5	PRT80390A-05	PCBA ASSY
6	PRT80390A-06	LED COB
7	PRT80390A-07	REFLECTOR
8	PRT80360A-08	SCREW A
9	ATD80391	BATTERY PACK
10	PRT80390A-10	PC TUBE
11	PRT80360A-11	HOOK ASSEMBLY
12	PRT80360A-12	MAGNET

ITEM#	ORDERING PART#	PART DESCRIPTION
13	PRT80360A-13	MAGNET LABEL
14	PRT80390A-14	HEAT SINK
15	PRT80360A-15	SCREW B ST2.5*5
16	PRT80360A-16	SWITCH
17	PRT80360A-17	HANDLE
18	PRT80360A-18	BOTTOM COVER
19	PRT80360A-19	DC COVER
20	PRT80020-14	TYPE C CHARGING CABLE
21	PRT80360A-21	FILM
22	PRT80390A-22	SLEEVE LABEL
23	PRT80360A-23	CONNECTION BOARD

Looking for dependable hand lamps? Rely on ATD for quality and long-lasting products.