



ATD-80340A Rechargeable LED Pocket Lamp Manual



FEATURES:

- Super-bright COB LED bulb delivers a wider and brighter lighting area
- Two settings for varied brightness and run times
- Magnetic base swivels 180 degrees
- 360 degree rotating hanging hook recesses flat into integrated belt clip
- Automatic shut off and overcharge protection prolongs battery life
- Constant current design delivers rated light output throughout battery charge cycle
- 3-in-1 charging system compatible with included mini USB cable

Specifications:

- High Setting Brightness: 200 lumens
- Low Setting Brightness: 100 lumens
- Battery: 3.7V 1000mAh lithium-ion rechargeable
- Run Time: 2 hours (high), 4 hours (low)
- Length: 4.75"

Operating Instructions:

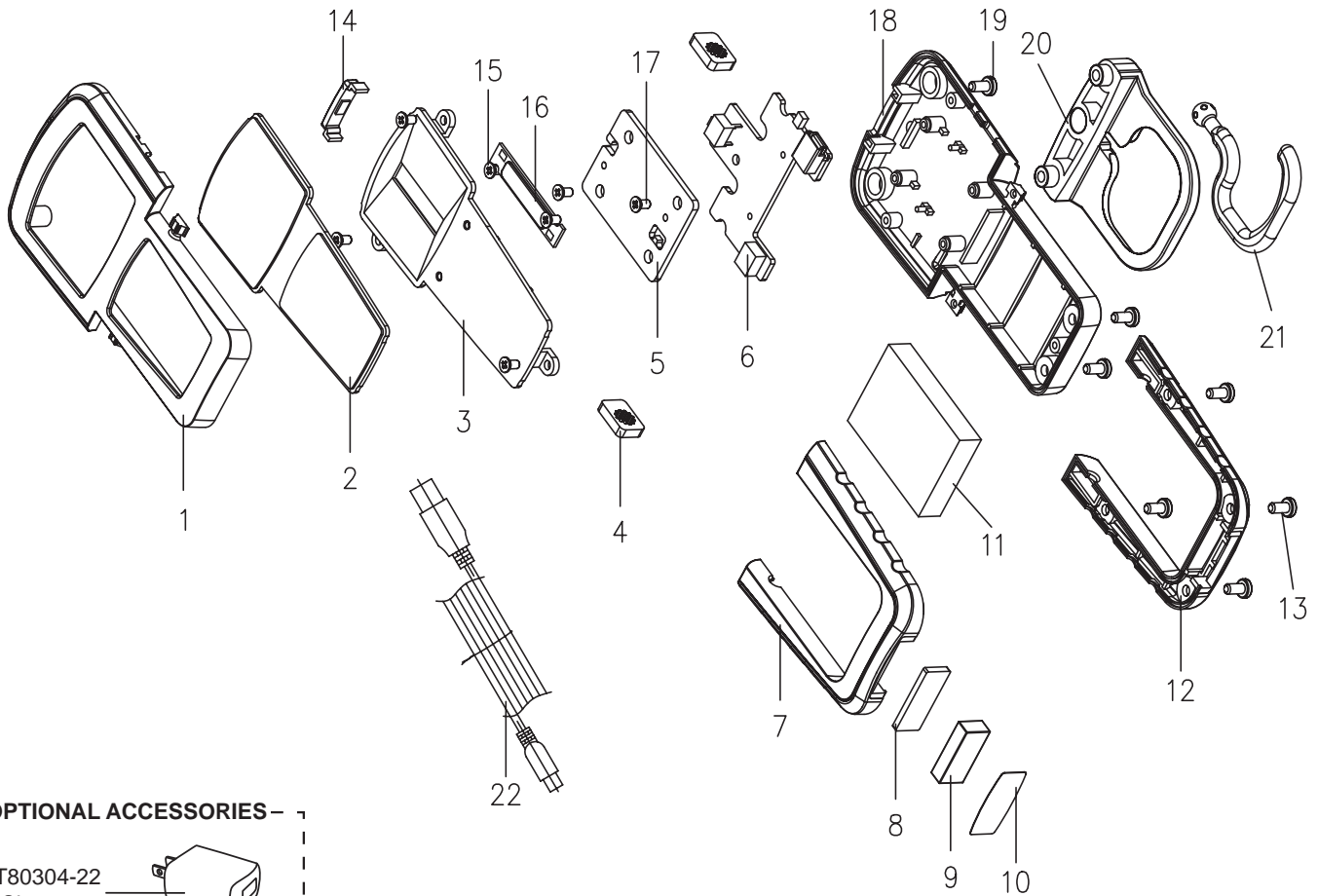
- Before use, connect USB cord to a USB port with 5V and 1A output (such as a car adapter, portable USB battery, computer or laptop computer) and charge until the green indicator over the mini USB socket turns on.
- Charge this light every month if not in constant use, and after each use if it is used often, to ensure longevity.
- Press the switch at the top of the light: once for low setting, twice for high setting, three times to turn it off.

Cautions:

- DO NOT use in or around tubs, showers, sinks, pools, hot tubs, or in a wet environment
- Do not operate with wet hands
- Use only the recommended voltage and frequency requirements
- Keep out of reach of children
- Keep light away from hot objects

SABER®

ATD-80340A



-- OPTIONAL ACCESSORIES --

PRT80304-22 AC Charger

PRT80304-31 DC Charger

--- AVAILABLE ---

ITEM#	ORDERING PART#	PART DESCRIPTION
1	PRT80340-01	FRONT HOUSING
2	PRT80340-02	TRANSPARENT COVER
3	PRT80340-03	REFLECTOR
4	PRT80340-04	GEAR
5	PRT80340-05	HEAT SINK
6	PRT80340A-06N	SWITCH BOARD
7	PRT80340-07-12	STAND & MAGNET ASSY
8	PRT80340-07-12	STAND & MAGNET ASSY
9	PRT80340-07-12	STAND & MAGNET ASSY
10	PRT80340A-10	MAGNET STICKER
11	PRT80340-11	LI-ION BATTERY

ITEM#	ORDERING PART#	PART DESCRIPTION
12	PRT80340-07-12	STAND & MAGNET ASSY
13	PRT80340-13	SCREW
14	PRT80340-14	BUTTON
15	PRT80340-15	SCREW
16	PRT80340-16	COB LED
17	PRT80340-17	SCREW
18	PRT80340-18	BACK HOUSING
19	PRT80340-19	SCREW
20	PRT80340-20	HOOK BASE
21	PRT80340-21	HOOK
22	PRT80304-27	USB CORD