



ATD-80304A

400 Lumen COB LED Rechargeable Work Light with Top Light Manual



FEATURES:

- COB LED delivers a wider and brighter lighting area
- SMD LED top light offers an additional 160 lumen flashlight function
- Constant current design delivers rated light output throughout battery charge cycle
- Super strong magnetic base provides hands-free use
- Light head pivots 120° to direct light to work area
- 360° rotating hanging hook recesses down around top light
- Tough, impact resistant ergonomic housing
- Automatic shut-off and overcharging protection for optimal battery life
- Versatile 3-in-1 charging system:
 - Charge from 120V AC with included wall power plug
 - Charge from 12V DC with included vehicle power plug
 - Charge from USB charging port with included USB cord

SPECIFICATIONS:

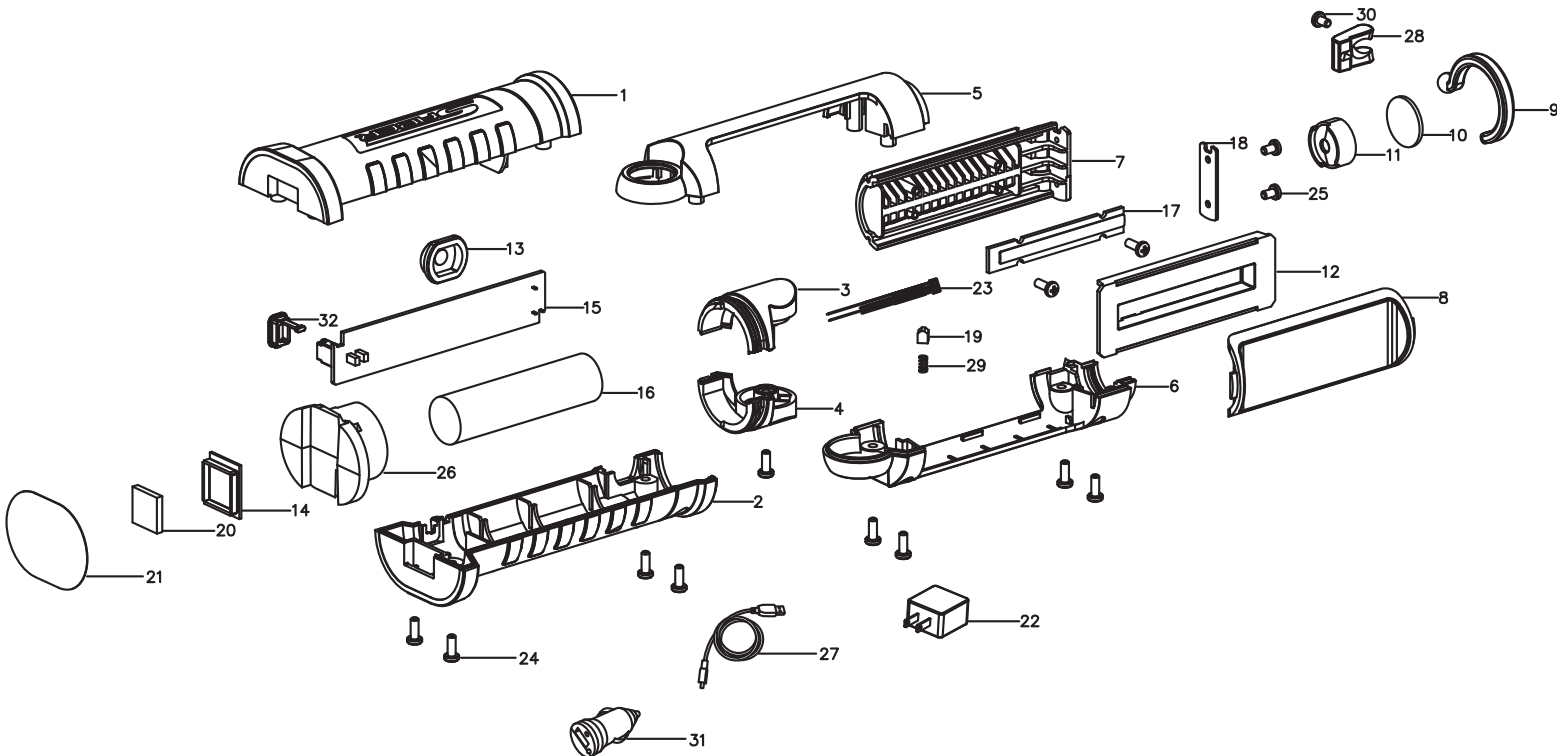
- Main COB LED Brightness: 400 lumens (high), 200 lumens (low)
- Top SMD LED Brightness: 160 lumens
- Run Time: 2.5 hours (high), 5 hours (low)
- Battery: 3.7V, 2600mAh lithium-ion rechargeable
- Length: 10.5"

Operating Instructions:

- Before use, plug the unit into any 110-120V AC power source, 12V DC power source or 5V DC USB port and let unit fully charge until the green indicator inside the Mini USB socket turns on.
- Press the switch once for the top LED, twice for the front LED, three times for the front LED high power, and four times for off.
- Charge this light every month if not in constant use, and after each use if used often, to ensure longevity.

Cautions:

- **DO NOT** use in or around tubs, showers, sinks, pools, hot tubs or in a wet environment.
- **DO NOT** operate with wet hands
- Use only the recommended voltage and frequency requirements.
- Keep out of reach of children.
- Keep light away from hot objects.
- **DO NOT** leave light in direct sunlight for prolonged lengths of time.



| ITEM# | ORDERING PART# | PART DESCRIPTION |
|-------|-----------------|-------------------|
| 1 | PRT80304A-01-02 | HANDLE ASSEMBLY |
| 2 | PRT80304A-01-02 | HANDLE ASSEMBLY |
| 3 | PRT80304-03-04 | JOINT ASSEMBLY |
| 4 | PRT80304-03-04 | JOINT ASSEMBLY |
| 5 | PRT80304-05-06 | LENS ASSEMBLY |
| 6 | PRT80304-05-06 | LENS ASSEMBLY |
| 7 | PRT80304-07 | BACK HOUSING |
| 8 | PRT80304-08 | FRONT LENS |
| 9 | PRT80304-09 | TOP HOOK |
| 10 | PRT80304-10 | TOP LENS |
| 11 | PRT80304-11 | TOP COVER |
| 12 | PRT80304-12 | REFLECTOR |
| 13 | PRT80304A-13 | SWITCH COVER |
| 14 | PRT80304-14 | MAGNET BASE |
| 15 | PRT80304A-15 | SWITCH PCBA W/USB |
| 16 | PRT80304A-16 | LI-ION BATTERY |

| ITEM# | ORDERING PART# | PART DESCRIPTION |
|-------|----------------|---------------------|
| 17 | PRT80304A-17 | COB LED |
| 18 | PRT80304-18 | TOP PCBA WITH LED |
| 19 | PRT80304-19-29 | GEAR TOOTH & SPRING |
| 20 | PRT80304-20 | SQUARE MAGNET |
| 21 | PRT80304-21 | MAGNET LABEL |
| 22 | PRT80304-22 | AC ADAPTOR |
| 23 | PRT80304-23 | WIRE |
| 24 | PRT80304-24 | SCREW |
| 25 | PRT80304-25 | SCREW |
| 26 | PRT80304-26 | COUNTERWEIGHT |
| 27 | PRT80304-27 | USB CORD |
| 28 | PRT80304-28 | TOP HOOK MOUNT |
| 29 | PRT80304-19-29 | GEAR TOOTH & SPRING |
| 30 | PRT80304-30 | SCREW |
| 31 | PRT80304-31 | DC ADAPTOR |
| 32 | PRT80304A-32 | USB COVER |