



**ATD-80211**

**1,000 Lumen Rechargeable Clamp Light With Speaker  
OWNER'S MANUAL**



FCC ID: 2AZM280211

**FEATURES:**

- High-quality sound from built-in 5W wireless speaker
- Heavy-duty clamp features (2) strong magnets in base
- Digital battery and lumen setting indicator screen
- Memory function records brightness settings after 5 seconds, and that setting is recalled the next time device is activated
- Super-bright COB LED bulb delivers variable brightness of 100 to 1000 lumens
- Lithium-ion rechargeable battery for longer life and consistent power
- IP65 rated for dust and water resistance - IK07 rated for mechanical impact protection
- Includes USB-C charging cord and 5V, 3.5A AC charger

**SPECIFICATIONS:**

- Variable Brightness Floodlight: 100-1000 lumens
- Runtimes: up to 15 hours
- Battery: 3.7V, 4400mAh lithium-ion battery

## FCC Warning

Any changes or modifications not expressly approved by the party responsible for compliance could void the user's authority to operate the equipment.

This device complies with part 15 of the FCC Rules. Operation is subject to the following two conditions:

- (1) This device may not cause harmful interference
- (2) This device must accept any interference received, including interference that may cause undesired operation.

**Note:** This equipment has been tested and found to comply with the limits for a Class B digital device, pursuant to part 15 of the FCC Rules. These limits are designed to provide reasonable protection against harmful interference in a residential installation. This equipment generates, uses and can radiate radio frequency energy and, if not installed and used in accordance with the instructions, may cause harmful interference to radio communications. However, there is no guarantee that interference will not occur in a particular installation. If this equipment does cause harmful interference to radio or television reception, which can be determined by turning the equipment off and on, the user is encouraged to try to correct the interference by one or more of the following measures:

- Reorient or relocate the receiving antenna.
- Increase the separation between the equipment and receiver.
- Connect the equipment into an outlet on a circuit different from that to which the receiver is connected.
- Consult the dealer or an experienced radio/TV technician for help.

## FCC Radiation Exposure Statement

This equipment should be installed and operated with minimum distance 20cm between the radiator & your body. This transmitter must not be co-located or operated in conjunction with any other antenna or transmitter.

# Operating Instructions

- See figure 1 below and familiarize yourself with the controls and components of your clamp light.
- Charge your clamp light with the cable: Plug the USB Type-C cable into any 5V DC power source and let the unit fully charge until the digital display reads 100%.
- To use your clamp light, press the power button to the right of the digital display on the back to turn the clamp light on. The digital display will show the battery power percentage. See figure 2.
- To change the brightness of the LED, hold the power button down for 3 seconds, and the LED will slowly dim (if it was initially at 100%) or brighten (if it was initially at 10%). NOTE: Your clamp light will return to the same state of brightness that you left it when you powered it off last.
- To use the BT speaker, press the BT button once until you hear an ascending tone and a musical note symbol (♪) appears in the digital display as shown in figure 4. After a few seconds or so, you will hear a dual beep tone, indicating that the unit is ready to be paired. Go to your device's BT settings and scan for available devices. Your clamp light will show up as "BT Speaker" (you can rename it in your device settings later if you wish) Pair your device to "BT Speaker". Once you have successfully connected, you will hear another ascending tone to let you know you are connected.
- The volume of your media is controlled by your device.
- When you disconnect from your BT speaker, you will hear a descending dual beep to let you know that you have successfully disconnected.
- Charge the light after each use if it is used often, to ensure longevity. Charge light every month if it is not in constant use.



Figure 1



Figure 2



Figure 3



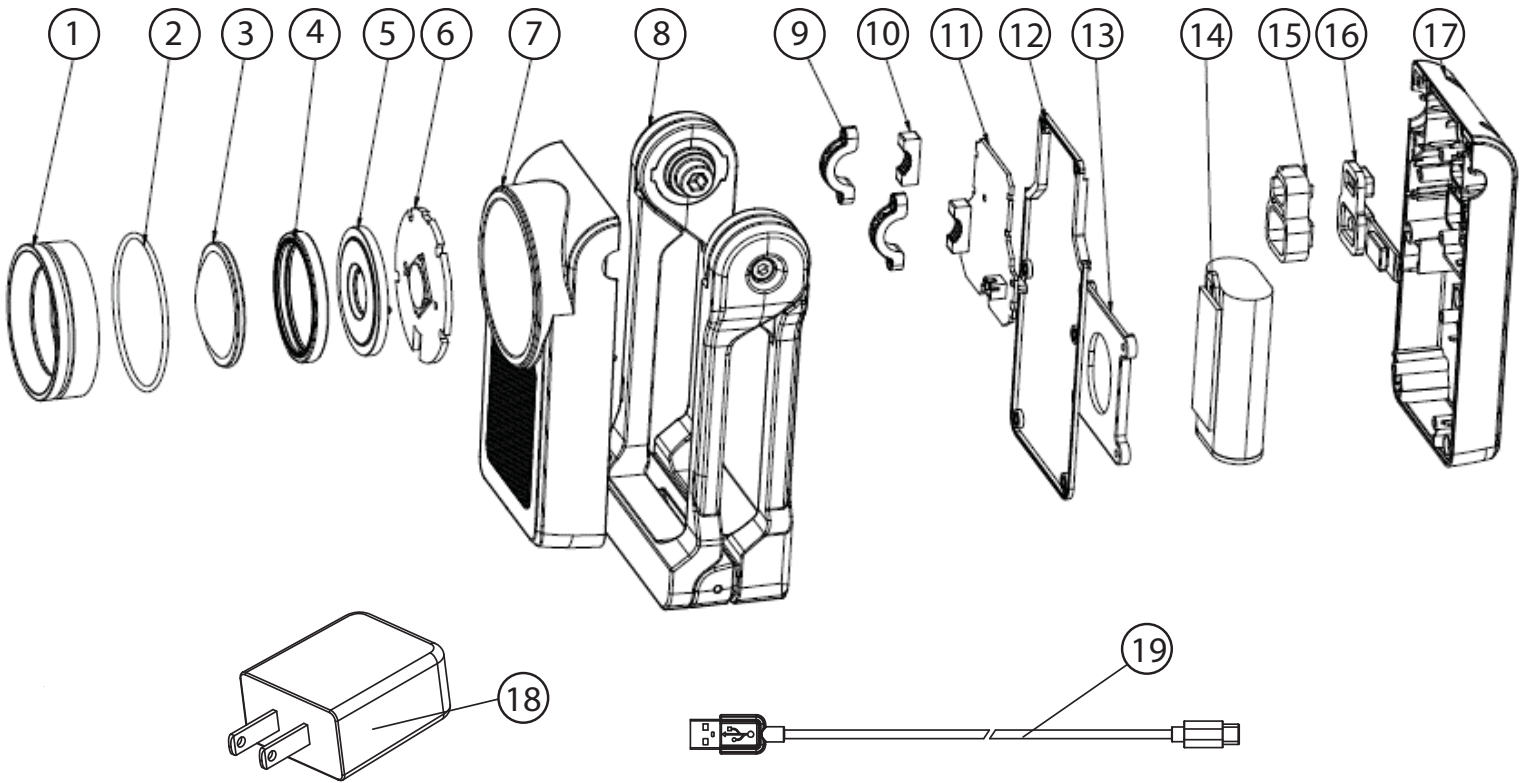
Figure 4

# Cautions

- **DO NOT** use in or around tubs, showers, sinks, pools, hot tubs or in any wet environment
- Use only the recommended voltage and frequency requirements
- Keep out of reach of children
- **DO NOT** operate light with wet hands
- Keep light away from hot objects
- **DO NOT** leave light in direct sunlight for prolonged lengths of time

## REPLACEMENT PARTS

Not all components of this product are replacement items, but are illustrated as a convenient reference for position in the assembly sequence. When ordering parts, give model number, part number and description. Call your distributor for current pricing:



ITEM#	ORDERING PART#	PART DESCRIPTION
1	PRT80211-01	DECORATIVE RING
2	PRT80211-02	DECORATIVE RING SEAL
3	PRT80211-03	TRANSPARENT GLASS LENS
4	PRT80211-04	LENS SEAL
5	PRT80211-05	REFLECTOR
6	PRT80211-06	PCB BOARD
7	PRT80211-07	FRONT HOUSING W/SPEAKER
8	PRT80211-08	BRACKET
9	PRT80211-09	PIVOT BRACKET
10	PRT80211-10	TPU RUBBER GASKET

ITEM#	ORDERING PART#	PART DESCRIPTION
11	PRT80211-11	CONTROL BOARD
12	PRT80211-12	HOUSING SEAL
13	PRT80211-13	BATTERY COVER
14	PRT80211-14	BATTERY
15	PRT80211-15	SWITCH HOLDER
16	PRT80211-16	SWITCH BUTTON
17	PRT80211-17	BACK HOUSING
18	PRT80211-18	5V 3.5A US FAST CHARGER
19	PRT80211-19	CHARGING CABLE