



ATD-80203

300 Lumen Wireless Charging LED Pocket Light

Owner's Manual



FEATURES:

- Heavy-duty anodized aluminum housing
- High and low light settings provide varied brightness and run times
- Constant current design delivers rated light output throughout battery charge cycle
- Super-bright COB LED bulb delivers a wider and brighter lighting area
- SMD LED top light offers an additional 150 lumen flashlight function
- Swivel hook with powerful magnet allows hands-free use
- Automatic shut off and overcharge protection prolongs battery life
- Wireless charging compatibility (wireless charger not included)
- IP54 rated for dust and moisture resistance

SPECIFICATIONS:

- 3.7V, 1500mAh lithium-ion battery
- USB Type-C cable
- Main Bulb Brightness: 300 lumens (high), 150 lumens (low)
- Run Times: 2 hours (high), 4 hours (low)
- Charging Time: 2.5 - 3.5 hours
- Top Light Brightness: 150 lumens

Operating Instructions

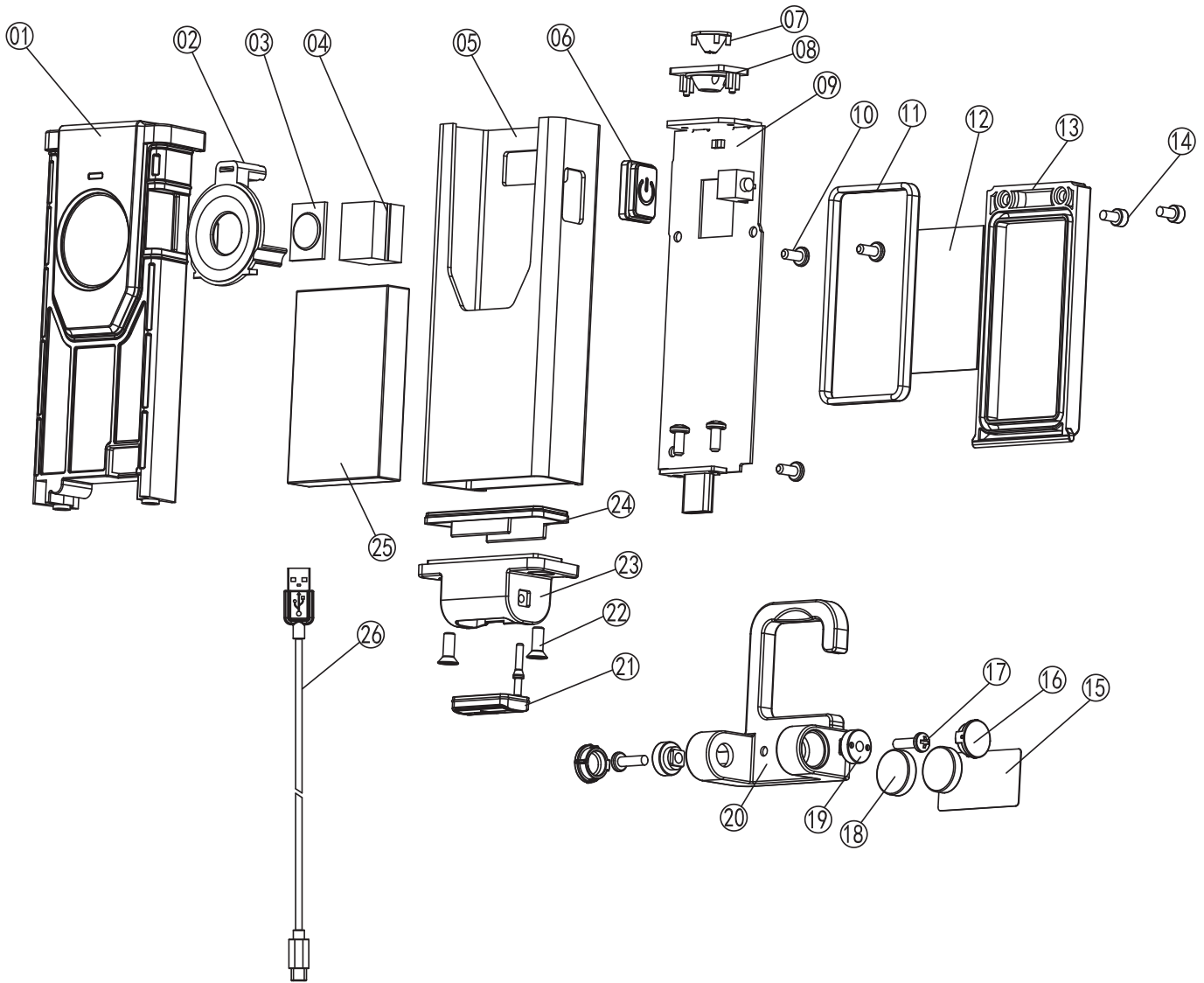
- Two methods of charging apply:

- 1) Charge with the cable: Plug the USB Type-C cable into any 5V DC power source and let the unit fully charge until the indicator above the front LED turns green.
- 2) Use wireless charging: Use the optional wireless charging pad (ATD-80206) or other wireless charger.
 - a) Place the light on charging pad. Align the ⚡ with the center of the pad. If the light is not in the correct position, the LED charging indicator will not light up.
 - b) When the light is placed correctly on the charging pad and during charging, the LED charging indicator will light up red
 - c) When the light is fully charged on the charging pad, the LED charging indicator will light up green.
 - d) When the light is left on the charging pad overnight, the LED charging indicator will remain green until the light is removed from the charging pad.
 - e) Once the light is removed from the charging pad, the LED charging indicator will switch off.

- The light cannot be used while charging wirelessly.
- Press the switch once for top LED, twice for low power front LED, three times for high power front LED and four times to turn off.
- Charge the light after each use if it is used often, to ensure longevity. Charge light every month if it is not in constant use.

Cautions

- DO NOT use in or around tubs, showers, sinks, pools, hot tubs or in any wet environment
- Use only the recommended voltage and frequency requirements
- Keep out of reach of children
- DO NOT operate light with wet hands
- Keep light away from hot objects
- DO NOT leave light in direct sunlight for prolonged lengths of time



ITEM#	ORDERING PART#	PART DESCRIPTION
1	PRT80203-01	FRONT COVER
2	PRT80203-02	REFLECTOR
3	PRT80203-03	COB LED
4	PRT80203-04	HEAT SINK
5	PRT80203-05	ALUMINUM HOUSING
6	PRT80203-06	SWITCH BUTTON
7	PRT80203-07	LENS
8	PRT80203-08	LENS HOLDER
9	PRT80203-09	PCBA AND USB PCBA ASSY
10	PRT80203-10	SCREW A ST 2.5x6
11	PRT80203-11	WATERPROOF RING FOR BACK COVER
12	PRT80203-12	WIRELESS CHARGING MODULE
13	PRT80203-13	BACK COVER

ITEM#	ORDERING PART#	PART DESCRIPTION
14	PRT80203-14	SCREW B ST 2.9x5
15	PRT80203-15	MAGNET LABEL
16	PRT80203-16	SIDE HOOK COVER
17	PRT80203-17	SCREW C 2.5x12
18	PRT80203-18	MAGNET
19	PRT80203-19	PIVOT
20	PRT80203-20	HOOK
21	PRT80203-21	DC COVER
22	PRT80203-22	SCREW D ST 2.9x8
23	PRT80203-23	BOTTOM COVER
24	PRT80203-24	WATERPROOF RING FOR BOTTOM COVER
25	PRT80203-25	LI-ION BATTERY
26	PRT80020-14	USB TYPE-C CABLE