



ATD-80200 500 Lumen SABER® Ball Manual



FEATURES:

- Super-bright COB LED bulb delivers a wider and brighter lighting area
- Two settings for varied brightness and run times
- Ball swivels 180+ degrees on magnetic base
- Battery charging indicator
- Automatic shut off and overcharge protection prolongs battery life
- Constant current design delivers rated light output throughout battery charge cycle
- 3-in-1 charging system compatible with included mini USB cable and AC power adapter

SPECIFICATIONS:

- Brightness Setting: 500 lumens (high), 250 lumens (low)
- Battery: 3.7V, 2600mAh lithium-ion rechargeable
- Run Time: 2 hours (high), 4 hours (low)

OPERATING INSTRUCTIONS:

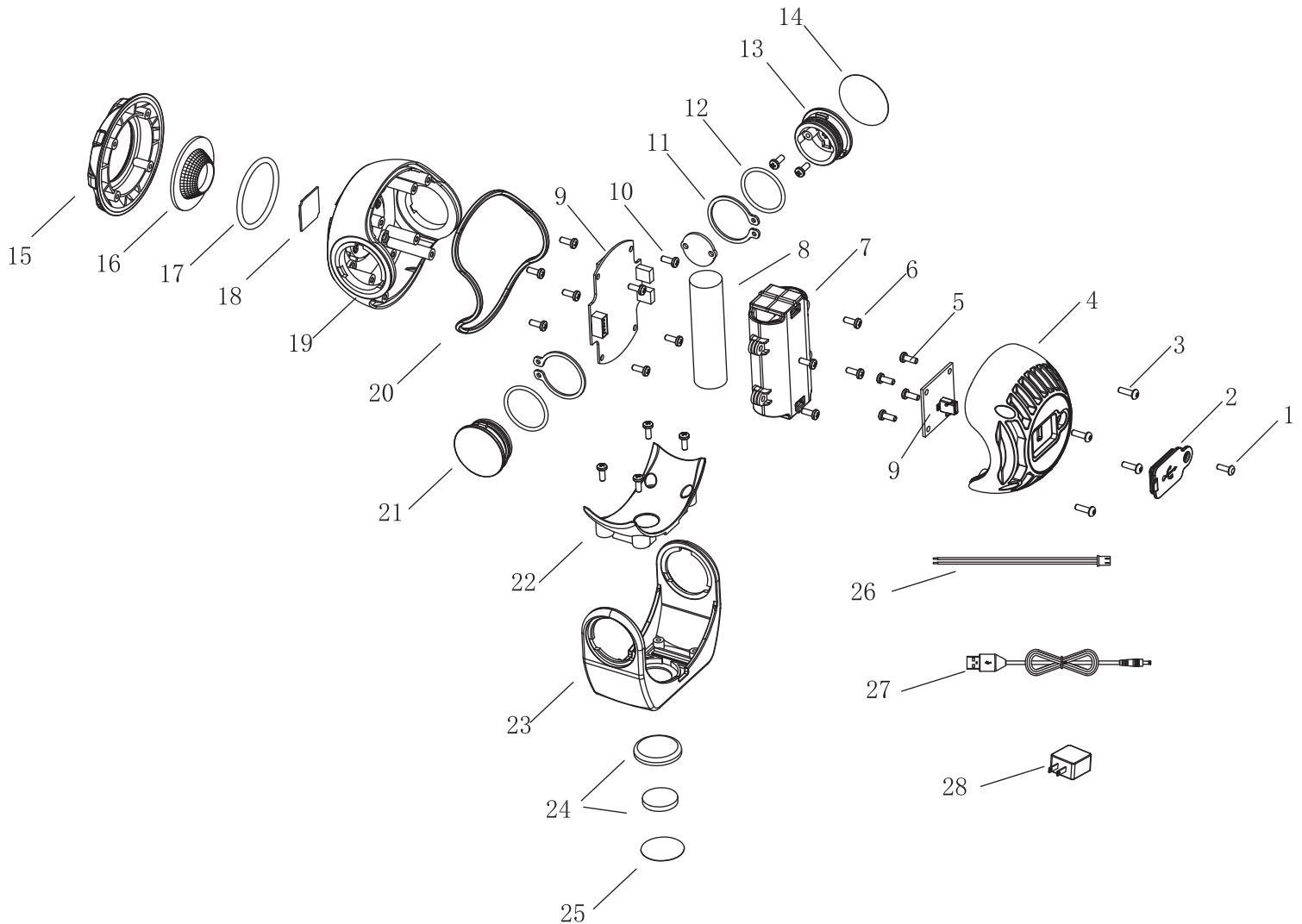
- Before use, plug the unit into any 110V AC outlet or 5V DC USB port and let the unit fully charge until the green indicator inside the Mini USB socket turns on. An optional 12V DC charging adapter is available separately.
- Press the switch on the light, once for dim light, twice for bright light and three times to turn it off.
- Charge this light every month if not in constant use, and after each use if used often, to ensure longevity.

Cautions:

- **DO NOT** use in or around tubs, showers, sinks, pools, hot tubs or in a wet environment.
- **DO NOT** operate with wet hands
- Use only the recommended voltage and frequency requirements.
- Keep out of reach of children.
- Keep light away from hot objects.
- **DO NOT** leave light in direct sunlight for prolonged lengths of time.

SABER®

ATD-80200



ITEM#	ORDERING PART#	PART DESCRIPTION
1	PRT80200-01	RIVET
2	PRT80200-02	DC COVER
3	PRT80200-03	SCREW GB/T M3x8
4	PRT80200-04	BACK COVER
5	PRT80200-05	SCREW ST2.9x6
6	PRT80200-06	SCREW M3x8
7	PRT80200-07	BATTERY HOLDER
8	PRT80200-08	LI-ION BATTERY
9	PRT80200-09	PCBA w/USB
10	PRT80200-10	SCREW M3x6
11	PRT80200-11	CLASP
12	PRT80200-12	O-RING 24
13	PRT80200-13	LEFT COVER
14	PRT80200-14	SWITCH LABEL

ITEM#	ORDERING PART#	PART DESCRIPTION
15	PRT80200-15	FRONT COVER
16	PRT80200-16	LENS
17	PRT80200-17	O-RING 36
18	PRT80200-18	LED
19	PRT80200-19	ALUMINUM HOUSING
20	PRT80200-20	WATERPROOF SEAL
21	PRT80200-21	RIGHT COVER
22	PRT80200-22	BRACKET COVER
23	PRT80200-23	BRACKET COVER
24	PRT80200-24	MAGNET
25	PRT80200-25	MAGNET LABEL
26	PRT80200-26	LED WIRING
27	PRT80304-27	USB CORD
28	PRT80304-22	AC ADAPTER

*	PRT80304-31	DC ADAPTER (OPTIONAL)
---	-------------	-----------------------