



ATD-80020

150 Lumen Inspection Penlight with Top Light Owner's Manual



Features:

- 150 lumen COB LED delivers a wider and brighter lighting area
- SMD LED top light offers an additional 100 lumen flashlight function
- Impact-resistant, lightweight aluminum housing resists rust and corrosion
- Constant current design delivers rated light output throughout battery charge cycle
- Automatic shut-off and overcharging protection for optimal battery life
- Includes USB Type C charging cord

Specifications:

- Main Bulb Brightness: 150 lumens (high), 75 lumens (low)
- Top Light Brightness: 100 lumens
- Battery: 3.7V, 750mAh Li-Poly rechargeable
- Run Time: 2 hours (high), 4 hours (low)
- 2-3 Hours Charging Time
- Length: 6.46"

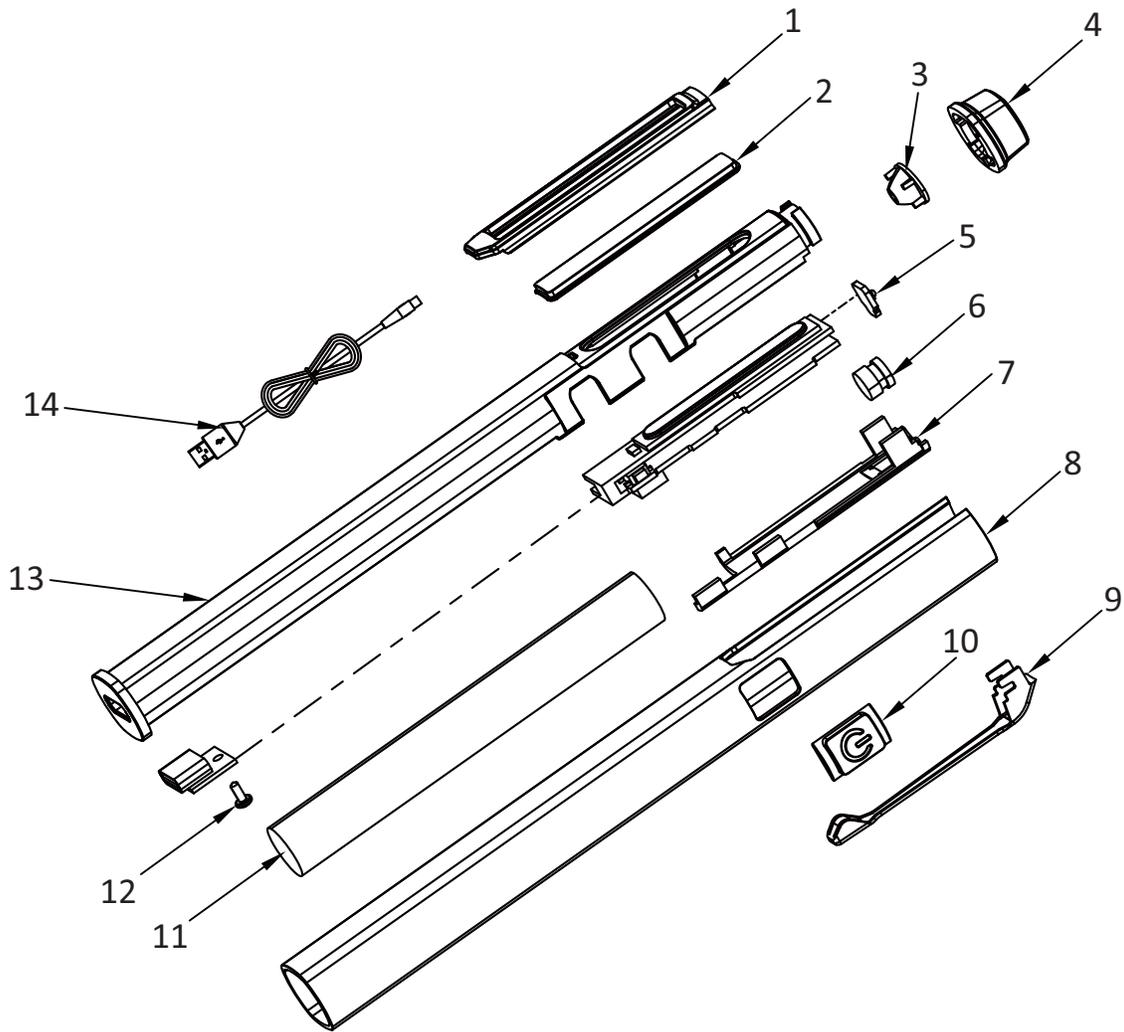
Operating Instructions

- To use, plug unit into any 110V AC power source. Let the unit fully charge until the indicator under the front COB turns green.
- Press the switch once for top LED, twice for low LED power, three times for high LED power and four times to turn off.
- Charge the light after each use if it is used often, to ensure longevity. Charge light every month if it is not in constant use.

Cautions

- DO NOT use in or around tubs, showers, sinks, pools, hot tubs or in a wet environment.
- Use only the recommended voltage and frequency requirements.
- Keep out of reach of children.
- DO NOT operate light with wet hands.
- Keep light away from hot objects.
- DO NOT leave light in direct sunlight for prolonged lengths of time.

ATD-80020



ITEM#	ORDERING PART#	PART DESCRIPTION
1	PRT80020-01	FRONT COVER
2	PRT80020-02	PC COVER
3	PRT80020-03-04	TOP COVER AND LENS ASSEMBLY
4	PRT80020-03-04	TOP COVER AND LENS ASSEMBLY
5	PRT80020-05-06	PCBA AND HEAT SINK ASSEMBLY
6	PRT80020-05-06	PCBA AND HEAT SINK ASSEMBLY
7	PRT80020-07	COB MOUNTING BLOCK
8	PRT80020-08	ALUMINUM HOUSING
9	PRT80020-09	PEN CLIP
10	PRT80020-10	SWITCH BUTTON
11	PRT80020-11	LI-ION BATTERY
12	PRT80020-12	SCREW A
13	PRT80020-13	FRAME
14	PRT80020-14	USB C CABLE