



## ATD-7464 OWNER'S MANUAL



### Features:

- One stand can hold four (4) ATD-7465 vehicle position jacks
- Heavy duty steel construction
- Durable powder coat finish

### Specifications:

- Capacity: Holds four (4) ATD-7465 vehicle position jacks
- Casters: Four (4) 3" swivel casters
- Dimensions: 30" wide x 18-1/2" deep x 9" high



**WARNING**



**WARNING:** This product may contain chemicals, including lead, known to the State of California to cause cancer, birth defects or other reproductive harm. *Wash hands after handling.*

## **Operation:**

The owner and/or operator shall study the product instructions and retain them for future reference. The owner and/or operator shall have an understanding of the product, its operating characteristics, and safety operating instructions before operating the equipment. Safety information shall be emphasized and understood.

## **Safety:**

**Failure to heed these safety warnings may result in personal injury and/or property damage.**



**WARNING:** Study, understand and follow all instructions before operating this device.



**WARNING:** This unit is designed for ATD-7465 vehicle positioning jacks only.



**WARNING: DO NOT** overload unit beyond the load rating of 4 pieces of ATD-7465 -175 lbs (80 Kgs)



**WARNING: DO NOT** operate unit on inclined surfaces. Unit must be used on level surface only.



**WARNING: DO NOT** attempt to push jack rack over obstacles. They are designed to be used on level surfaces only.



**WARNING:** No alterations shall be made to this product.

## **Damaged Equipment:**

Any equipment that appears to be damaged in any way or is found to be worn or operating abnormally **SHALL BE REMOVED FROM SERVICE UNTIL REPAIRED**. It is recommended that necessary repairs be made by a specialized repair facility.

## **Inspection:**

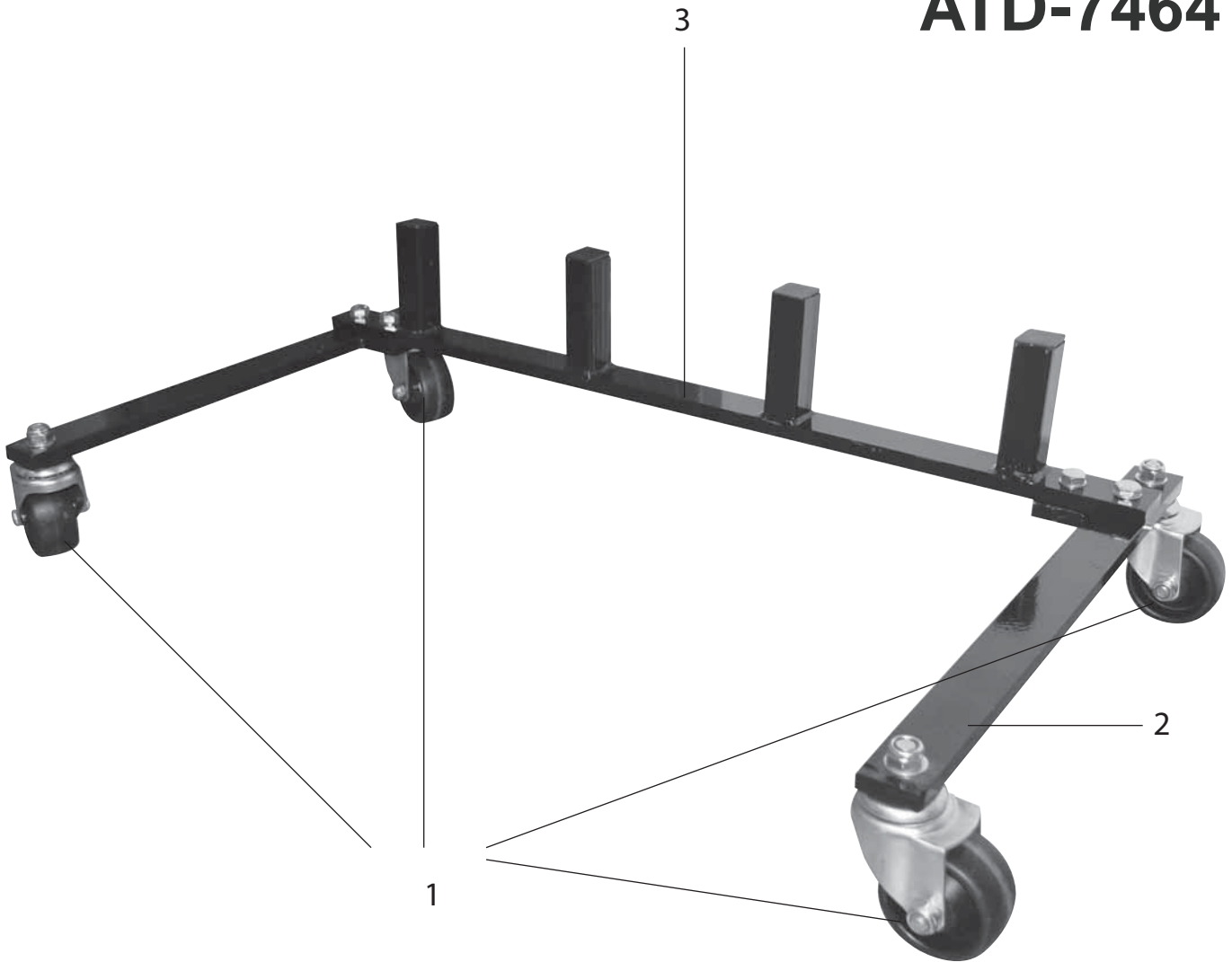
- Visual inspection shall be made before each use of the equipment by checking for abnormal conditions, such as cracked welds, damaged, or missing parts.
- Each piece of equipment shall be inspected immediately if the device is believed to have been subjected to an abnormal load or shock. It is recommended that this inspection be made by a specialized repair facility.
- Owners and/or operator should be aware that repair of this equipment may require specialized knowledge.

## **Assembly Instructions:**

1. Assemble Left/Right Frame to Jack Rack by using 2 hex head screws and washers. Tighten all fasteners.
2. Install casters to Left/Right Frame. Tighten all screws and nuts, taking care not to over-tighten.



**ATD-7464**



ITEM#	ORDERING PART#	PART DESCRIPTION
1	PRT7464-01	CASTERS
2	PRT7464-02	FRAME
3	PRT7464-03	JACK RACK
N/S	PRT7464-04	FRAME HARDWARE PACKAGE