



**ATD-70320**  
**Heavy-Duty 60" Workbench**  
**Owner's Manual**



**Features:**


- Heavy-duty 14 gauge steel construction
- Durable powder coat finish
- Easy to assemble
- Adjustable foot pads for placement on slightly uneven surfaces


**Specifications:**

- 60" L x 30" D x 34" H
- Weight Capacity: 300 lbs.
- Shipping Weight: 265 lbs.

## SAFETY INFORMATION

The following explanations are displayed in this manual, on the labeling, and on all other information provided with this product:

 **DANGER** indicates a hazardous situation which, if not avoided, will result in death or serious injury.

 **CAUTION** used with the safety alert symbol, indicates a hazardous situation which, if not avoided, could result in minor or moderate injury.

## READ INSTRUCTIONS

- Thoroughly read and understand this manual before using.
- Save for future reference.

### **FALL HAZARD**

- Awkward, out of balance body positions may be attempted while trying to reach specific areas of objects placed on the Heavy-Duty Workbench during use. Failure to ensure proper footing can quickly result in a fall which could inflict serious personal injury or property damage.
- This Heavy-Duty Workbench is designed for use in a shop environment only.
- **DO NOT** concentrate a heavy load to any corner or edge of the Heavy-Duty Workbench. This can cause the balance to shift suddenly, tipping the Heavy-Duty Workbench forward.
- **DO NOT** exceed the rated 300 lbs. [136 kg.] weight capacity.
- **DO NOT** use as a seat.
- **DO NOT** stand on the Heavy-Duty Workbench.
- **DO NOT** use the top of the Heavy-Duty Workbench as a storage surface.

### **PINCH HAZARD**

- This Heavy-Duty Workbench has heavy components that can crush and pinch. Keep fingers and hands away from pinch points when assembling and during use.

## ASSEMBLY

Step 1 - Begin by attaching two side plates (#9) and rear plate (#10) onto the table plate (#5) with five (5) M8x14 hex screws, as shown

Step 2 - Attach two rear legs (#11) and two front legs (#6) onto table plate (#8) using thirty-two (32) M8 x 14 hex screws and thirty-two (32) M8 flange nuts, as shown. Notice the difference between the rear legs and front legs.

Step 3 - Attach two side braces (313) and rear brace (#12) to the bench legs using twelve (12) M8x14 hex screws, as shown.

Step 4 - Fasten two (2) No. 8 flat washers, three (3) M8 hex nuts, and one (1) support washer plate onto each end of the bench legs using four (4) M12x70 bolts, as shown.

### **CAUTION:**

Due to the size and considerable weight of the Heavy-Duty Workbench it is necessary to obtain the assistance of a capable helper during the following step:

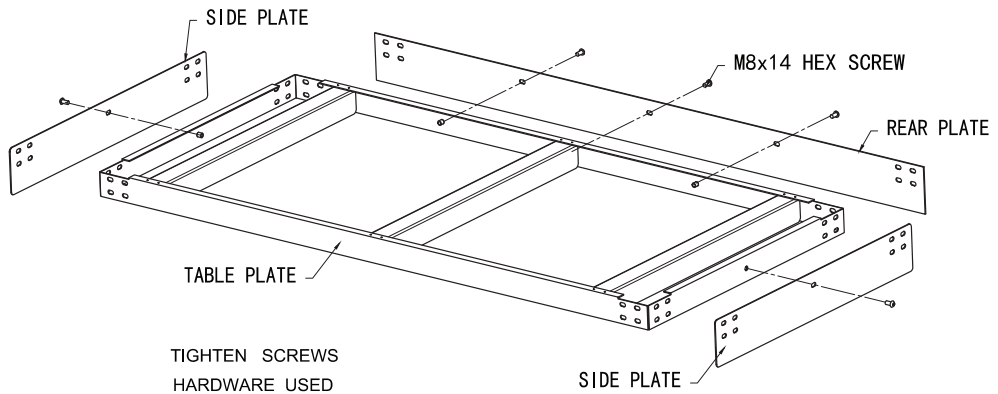
Step 5 - With your helper lifting the opposite side, carefully raise and rotate the Heavy-Duty Workbench so that it may be set down on a level, hard surface. Your ATD-70320 Heavy-Duty Workbench is now ready for use.

## MAINTENANCE

This Heavy-Duty Workbench is finished in rugged powder coating which will provide many years of service, however it is advisable to keep the finish clean and free from excessive dust and dirt.

- Keep the Heavy-Duty Workbench in a clean and dry environment. **DO NOT** store it in or expose it to a damp or wet environment.
- Occasionally inspect all components for potential damage and proper alignment. Check all hardware for tightness
- **DO NOT** use if damage is discovered.
- **DO NOT** place heavy components on one extreme corner or edge of the Heavy-Duty Workbench. This can cause the balance to shift suddenly, tipping the Heavy-Duty Workbench.
- Store the Heavy-Duty Workbench on a flat, level surface only to prevent possible unattended tipping and property damage.

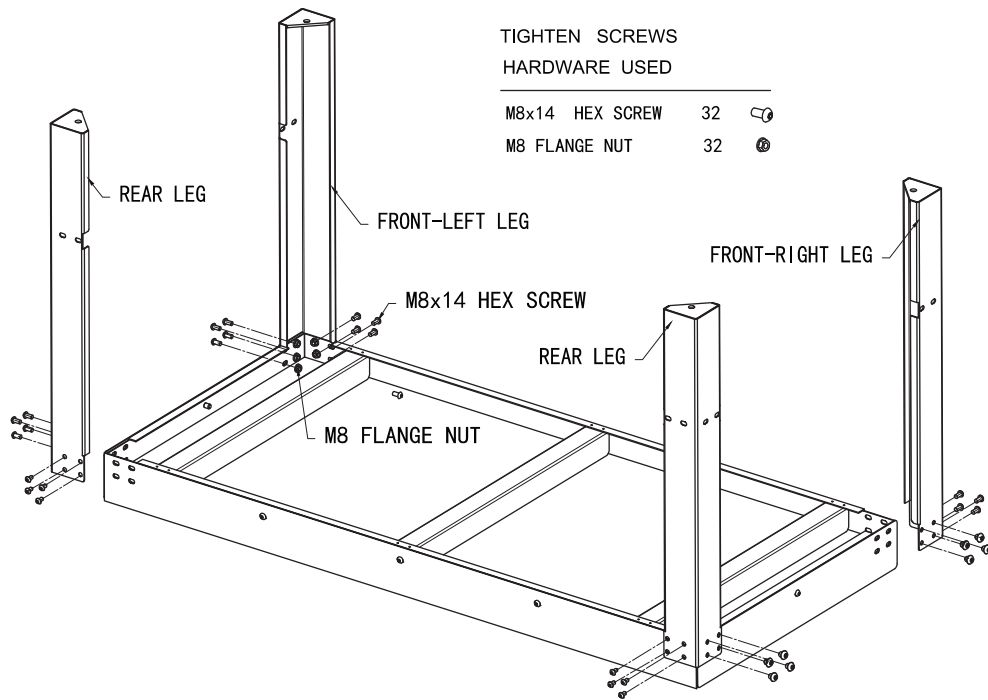
1



TIGHTEN SCREWS  
HARDWARE USED

M8x14 HEX SCREW 5 

2



TIGHTEN SCREWS  
HARDWARE USED

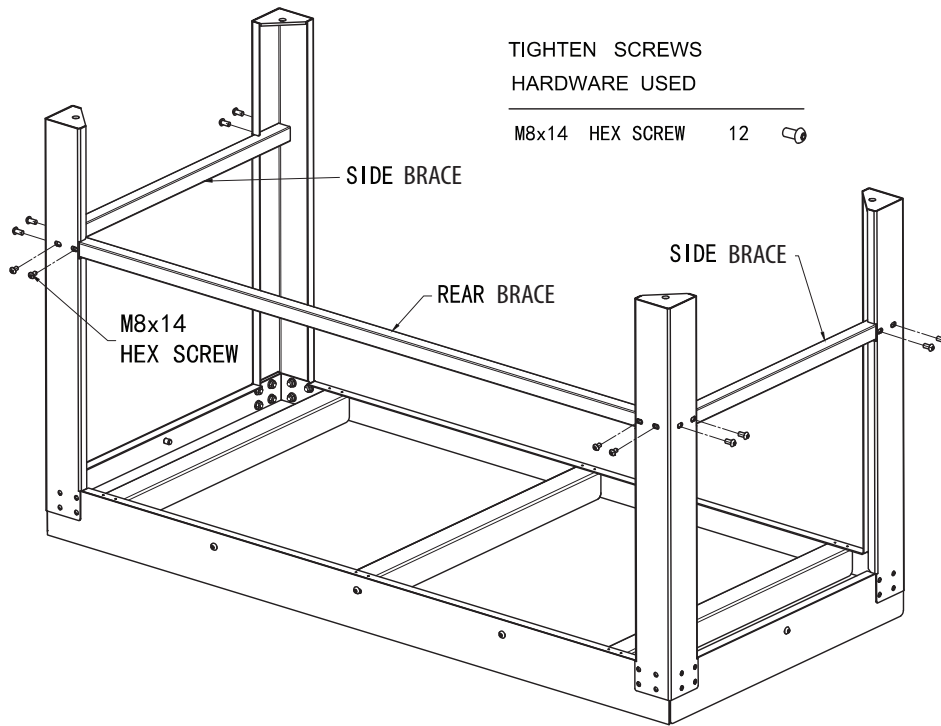
M8x14 HEX SCREW 32 

M8 FLANGE NUT 32 

3

TIGHTEN SCREWS  
HARDWARE USED

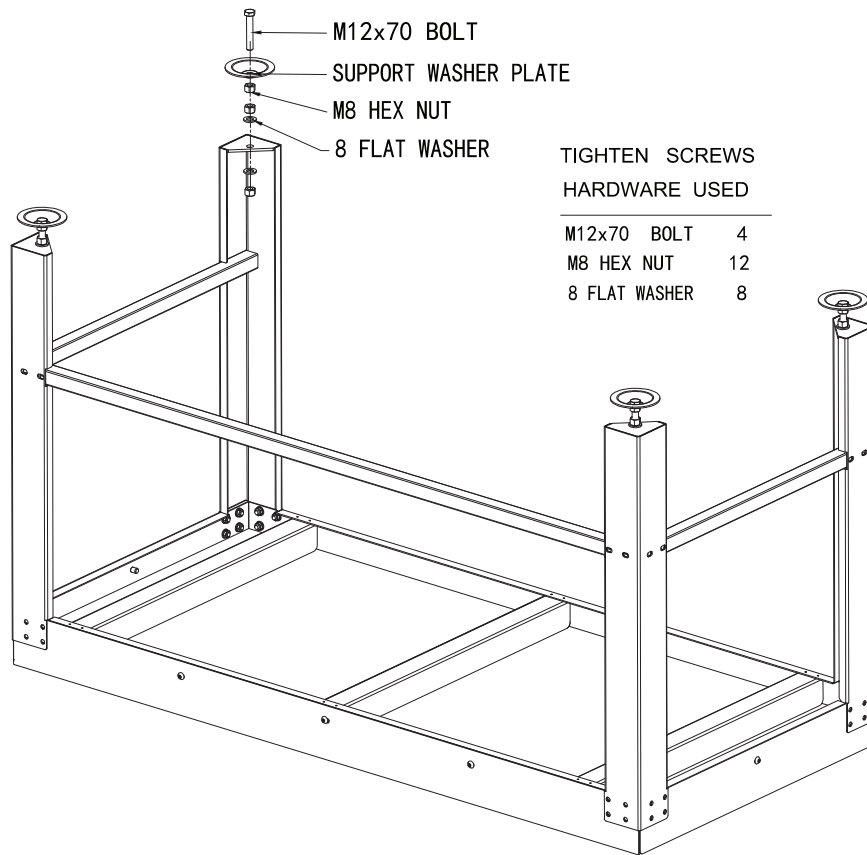
M8x14 HEX SCREW 12



4

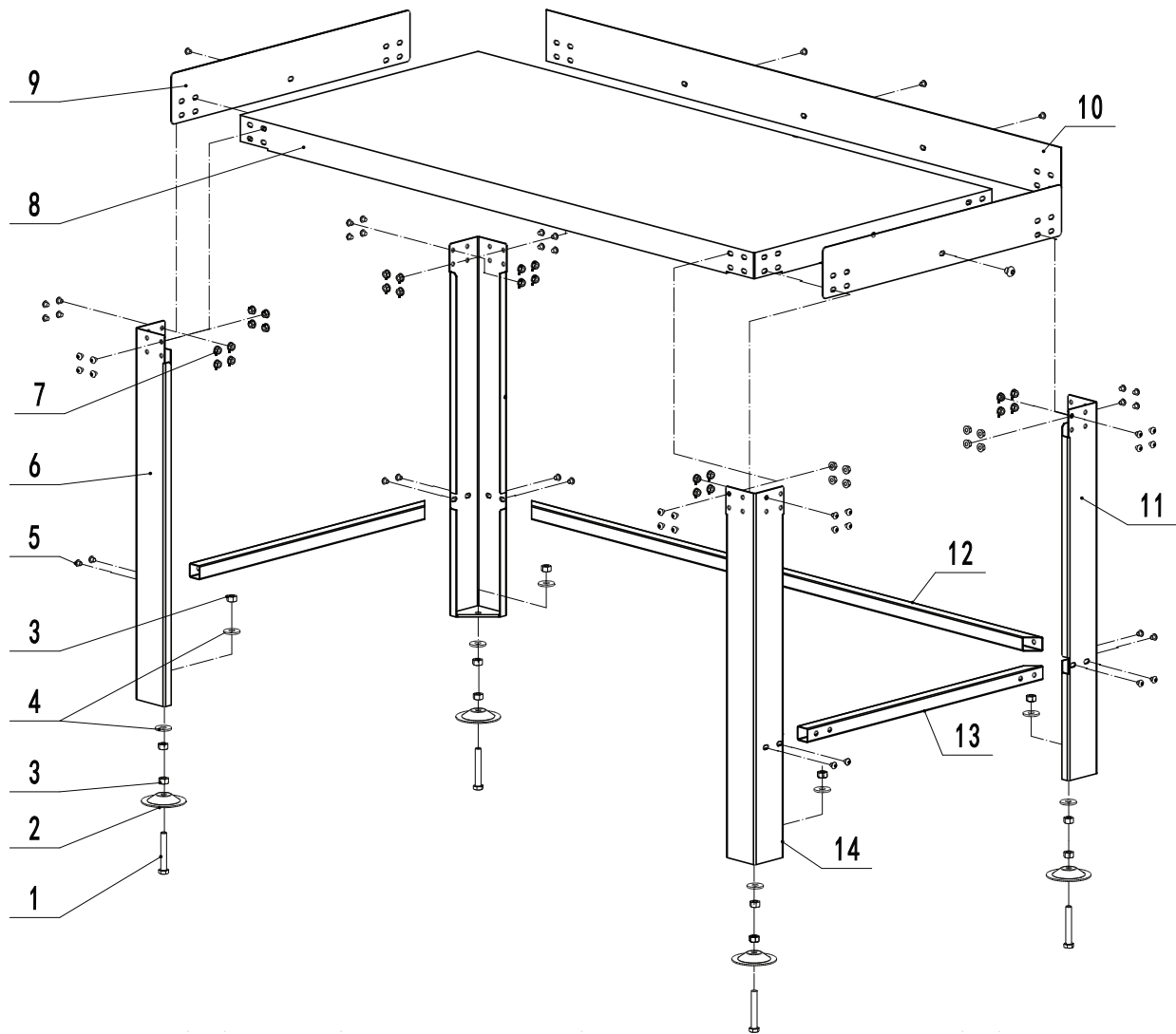
TIGHTEN SCREWS  
HARDWARE USED

M12x70 BOLT 4  
M8 HEX NUT 12  
8 FLAT WASHER 8





# ATD-70320



ITEM#	ORDERING PART#	PART DESCRIPTION
1	PRT70320-HK	BOLT
2	PRT70320-02	SUPPORT WASHER PLATE
3	PRT70320-HK	HEX NUT
4	PRT70320-HK	FLAT WASHER
5	PRT70320-HK	HEX SCREW
6	PRT70320-06	FRONT LEFT LEG
7	PRT70320-HK	FLANGE NUT
8	PRT70320-08	TABLE PLATE
9	PRT70320-09	SIDE PLATE
10	PRT70320-10	REAR PLATE
11	PRT70320-11	REAR LEG
12	PRT70320-12	REAR BRACE
13	PRT70320-13	SIDE BRACE
14	PRT70320-14	FRONT RIGHT LEG