



ATD-7012, ATD-7025, ATD-7026
Red, Green or Matte Black
Heavy-Duty Mobile Work Table with Drawer



ATD-7012

ATD-7025

ATD-7026

Features:

- 1-7/8" deep x 12" wide x 13.5" long drawer for convenient storage
- Adjustable from 34" to 48" high
- Includes drawer and top tray liner
- 220 Lbs. capacity in center
- 29" x 20" x 1" top tray designed to hold air tools, screwdrivers and prybars
- Shipping Weight: 44 lbs
- Table supports up to 220 lbs. in the center

ASSEMBLY INSTRUCTIONS

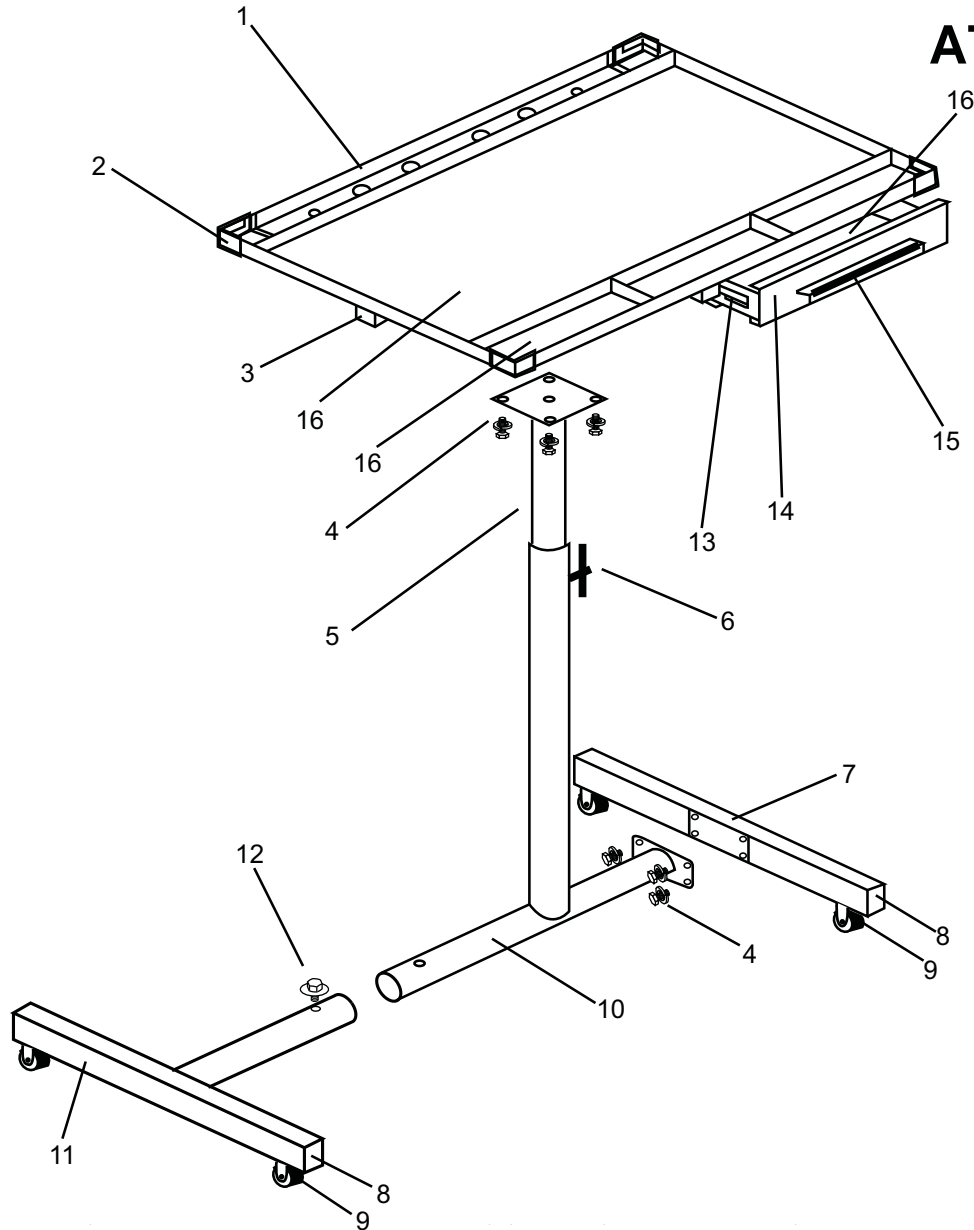
Tools Needed to Assemble Unit:

- 17mm Wrench
- 14mm Wrench

1. Using four 14mm bolts, washer and nuts, install one caster in each square hole on the bottom edge support (#7 & #11). Be sure the square bolster on the post of each caster inserts fully into the square hole in the support before fully tightening.
2. Using four 14mm bolts and washers, attach the bolt plate on the right support (#7) to the bracket on the tube support (#10), ensuring that the casters are facing down. Be sure bolts are securely tightened before proceeding.
3. Slide left support tube (#11) into the tube support (#10) and secure with 17mm bolt and curved washer (#12). The curved washer should conform to the tubing wall.
4. Laying the top tray (#1) upside down on the floor, attach the mounting bracket on silver adjusting tube (#5) to the bracket on the bottom of the tray, being sure the adjusting tube faces AWAY from the center of the top tray.
5. Now, slide the silver adjusting tube with top tray attached into the tube support (#10) and secure at the desired height with the T-bolt (#6).
6. Attach four rubber protector bumpers (#2) by pushing the black plastic pins provided into the holes in the corners of the top tray. The pins are inserted from OUTSIDE the tray toward the inside, being sure the rubber bumpers overlap the top edge of the tray.
7. Install the three small rectangular plastic inserts (#3) into the reinforcement bars under top tray. Install the four large rectangular plastic inserts (#8) into the four holes on the left and right supports (#7 & #11).



ATD-7012
ATD-7025
ATD-7026



ITEM#	ORDERING PART#	PART DESCRIPTION
1	PRT7012-01	TOP TRAY WITH RUBBER LINER (RED)
	PRT7025-01	TOP TRAY WITH RUBBER LINER (GREEN)
	PRT7026-01	TOP TRAY WITH RUBBER LINER (BLACK)
2	PRT7012-02	RUBBER CORNER BUMPER W/PINS (4PCS)
3	PRT7012-03	SMALL PLASTIC INSERT (3PCS)
4	PRT7012-H	14MM BOLT WITH WASHER (8PCS)
5	PRT7012-05	ADJUSTABLE TUBE (SILVER)
6	PRT7012-06	T-BOLT
7	PRT7012-07	RIGHT SUPPORT (RED)
	PRT7025-07	RIGHT SUPPORT (GREEN)
	PRT7026-07	RIGHT SUPPORT (BLACK)
8	PRT7012-08	LARGE PLASTIC INSERT (4PCS)
9	PRT7012-09	2" CASTER WITH NUT (4PCS) (RED)
	PRT7025-09	2" CASTER WITH NUT (4PCS) (BLACK)

ITEM#	ORDERING PART#	PART DESCRIPTION
10	PRT7012-10	TUBE SUPPORT (RED)
	PRT7025-10	TUBE SUPPORT (GREEN)
	PRT7026-10	TUBE SUPPORT (BLACK)
11	PRT7012-11	LEFT SUPPORT (RED)
	PRT7025-11	LEFT SUPPORT (GREEN)
	PRT7026-11	LEFT SUPPORT (BLACK)
12	PRT7012-H	17MM BOLT WITH CURVED WASHER
13	PRT7012-13	BALL BEARING SLIDE (PAIR)
14	PRT7012-14	DRAWER UNIT(WITH EVA PAD - RED)
	PRT7025-14	DRAWER UNIT(WITH EVA PAD - GREEN)
	PRT7026-14	DRAWER UNIT(WITH EVA PAD - BLACK)
15	PRT7012-15	ALUMINUM HANDLE
16	PRT7012-16	PAD SET (5PCS)

* HARDWARE KIT INCLUDES #4 & #12 - 14MM BOLT WITH WASHER (8 PCS) & 17MM BOLT W/CURVED WASHER

Learn more about workbenches we have.