



ATD-6574 Detailing Cart Owner's Manual



Features:

- Provides mobile storage for all detailing materials
- Allows movement of supplies to work area for increased productivity
- (4) 4" polyurethane casters (2 locking)

Specifications:

- (3) Hooks
- (3) Small baskets
- (3) Large baskets
- Dimensions: 66.5" x 36.4" x 19.6"

GENERAL SAFETY INFORMATION

- Not for use by unauthorized persons and minors
- Not to be used as a climbing frame or anchor point
- Tie back long hair and avoid wearing loose clothing when using this cart
- Use on a stable, level and dry surface
- Keep your work area clean and organized at all times

ASSEMBLY INSTRUCTIONS

*See parts list on next page for detail

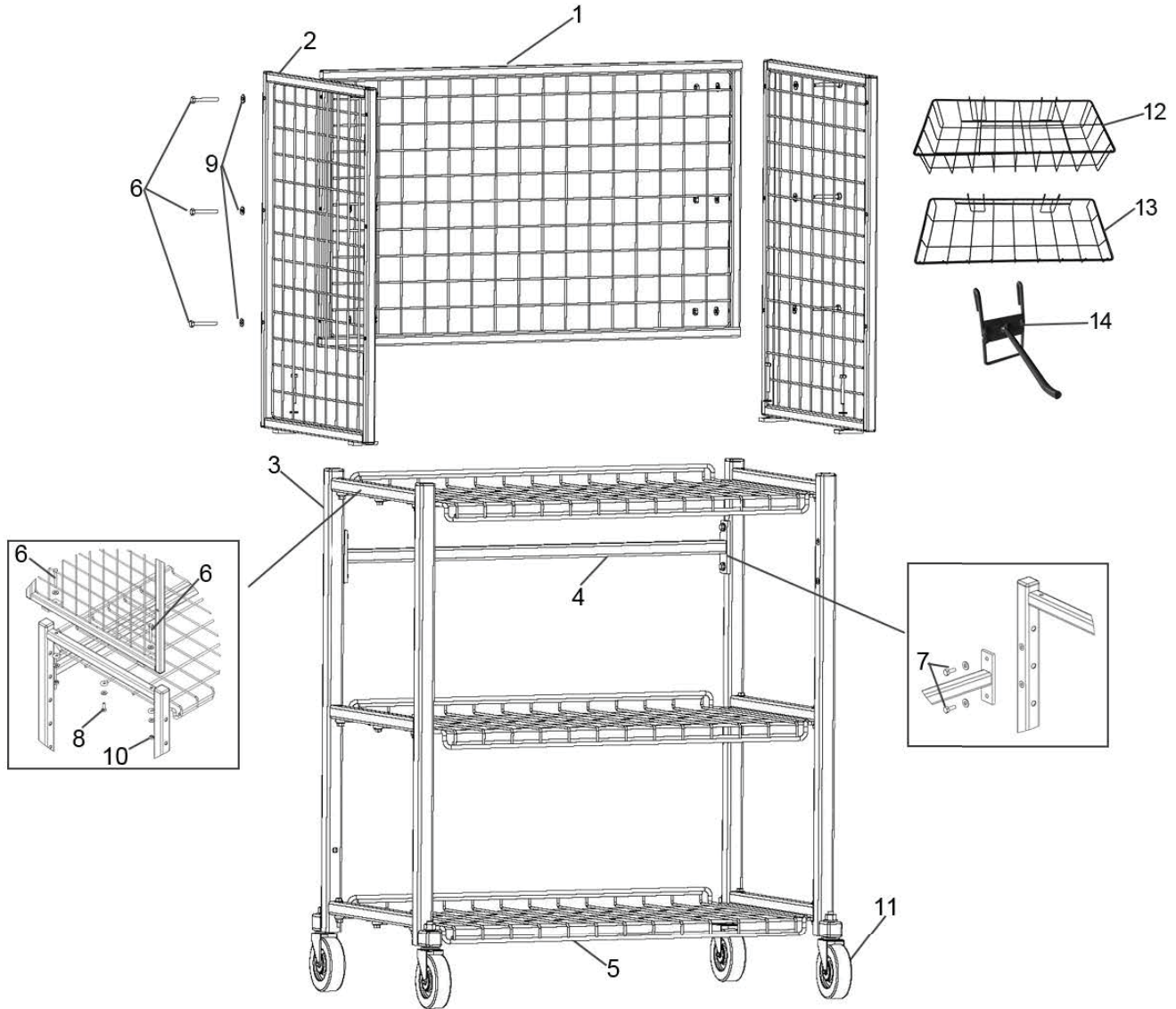
- 1) Attach the cross tube #4. Using 4 bolts (#7) and 4 washers (#9). Bolt the cross tube (#4) between the 2 side frames (#3).
2. Assemble the 3 mesh shelves (#5) from bottom to top, using 14 bolts (#8), 28 washers (#9) and 14 nuts (#10). Bolt the 3 mesh shelves (#5) to the 2 side frames (#3).
NOTE: Only install the middle bolt on the top mesh shelf into the middle bolt hole at this time. Do not tighten fully at this time to allow for any adjustments once the 3 mesh shelves (#5) are fully assembled.
3. Bolt 4 casters (#11) to each bottom corner of the cart at this time. Fully tighten them to ensure stability while you complete the assembly.
4. Using 4 bolts (#6), 8 washers (#9) and 4 nuts (#10), bolt the 2 upper mesh side frames (#2) to the top of the lower shelf assembly completed in step 3. Do not tighten fully at this time to allow for any adjustments.
5. Using 6 bolts (#6), 12 washers (#9) and 6 nuts (#10), bolt the upper back mesh frame (#1) to the 2 upper mesh side frames (#2).
6. Adjust framework to be straight and tighten all bolts and nuts at this time.
7. Hang the mesh baskets (#12 and #13) and hooks (#14) on the completed cart to suit your needs.

CLEANING / MAINTENANCE

This cart should be maintenance free. To keep it clean, use a clean damp cloth and wipe your cart down as needed. Do NOT use caustic or abrasive cleaners when cleaning this cart as doing so could harm the protective finish.

REPLACEMENT PARTS

Not all components of this rack are replacement items, but are illustrated as a convenient reference for location and position in the assembly sequence. When ordering parts, please give the model number and parts description. Call your distributor for current pricing.



ITEM#	ORDERING PART#	PART DESCRIPTION	QTY
1	PRT6574-01	UPPER BACK MESH FRAME	1
2	PRT6574-02	UPPER SIDE MESH FRAME	2
3	PRT6574-03	SIDE FRAME	2
4	PRT6574-04	CROSS TUBE	1
5	PRT6574-05	MESH SHELF	3
6	PRT6574-HK	BOLT (M6 x 50)	10
7	PRT6574-HK	BOLT (M6 x 20)	4

ITEM#	ORDERING PART#	PART DESCRIPTION	QTY
8	PRT6574-HK	BOLT (M6 x 40)	14
9	PRT6574-HK	WASHER (M6)	52
10	PRT6574-HK	NUT (M6)	24
11	PRT6574-11	CASTER SET	4
12	PRT6574-12	BIG MESH BASKET	3
13	PRT6574-13	SMALL MESH BASKET	3
14	PRT6574-14	HOOK	4

PRT6574-HK - Hardware kit includes #6, #7, #8, #9 & #10