



ATD-6571
Heavy-Duty Folding Bumper Stand
Owner's Manual



FEATURES:

- Adjustable stand with extendable support arms holds different bumper types and styles
- Ideal for storage of bumpers prior to preparation and spraying
- Lightweight design with 300 lbs. capacity

General Safety Information:

1. This bumper stand is not to be used for any other purpose than intended. It is intended for storage of bumpers prior to preparation and spraying.
2. This bumper stand is not to be used by unqualified persons or minors.
3. This bumper stand is not to be used as a climbing frame or an anchor point.
4. Tie back long hair and do not wear loose clothing when using this bumper stand.
5. Wear appropriate PPE (personal protective equipment) at all times when using the bumper stand.
6. Use on a stable, level and dry surface only.
7. Keep your work area clean and tidy at all times.
8. Do not put more than one bumper on this bumper stand at any time.
9. Do not carry out any work in such a way that you will compromise the integrity of the stand or the safety of yourself, colleagues, visitors, or in any manner that will cause damage to property.

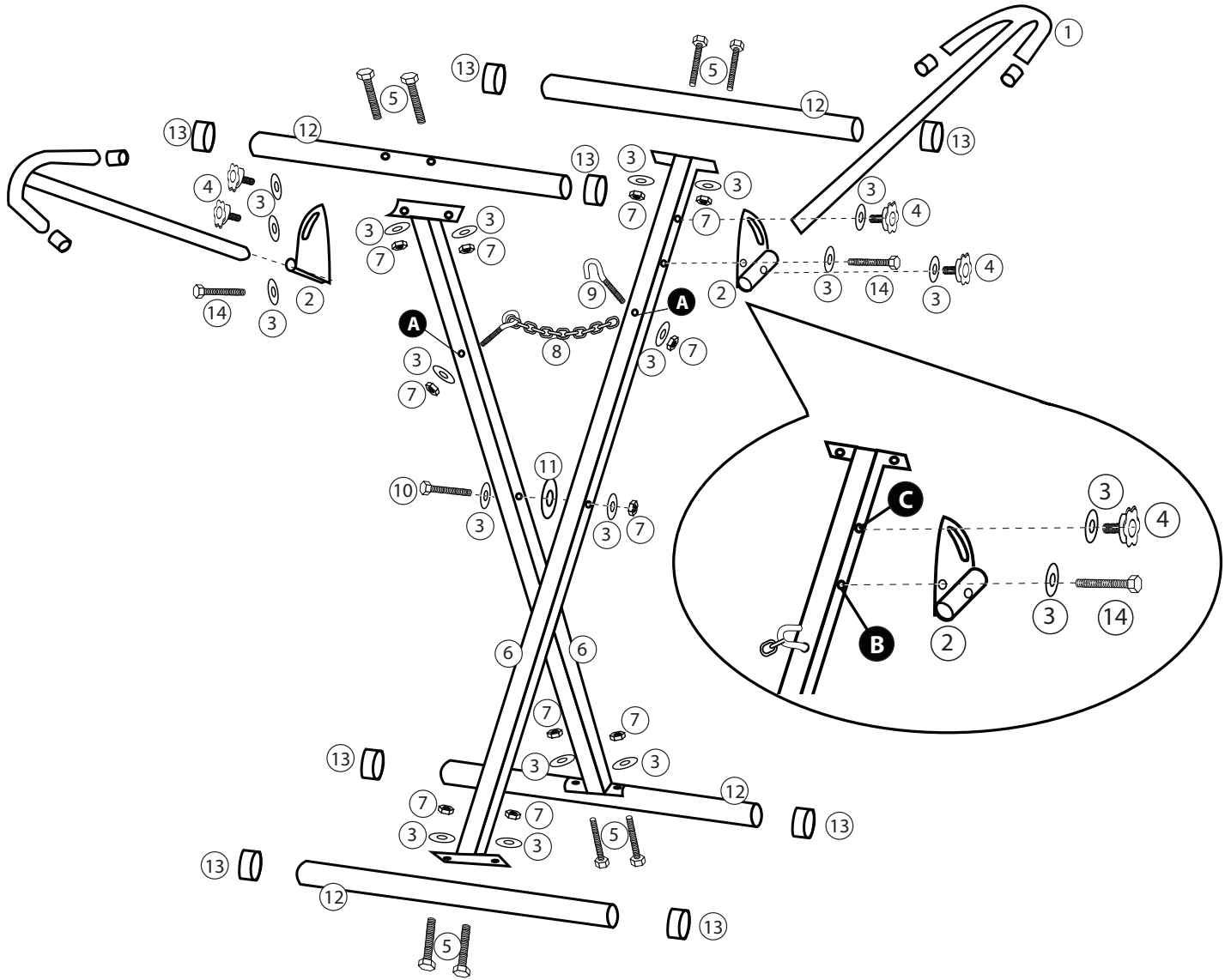
Assembly Instructions:

Please refer to the diagram on the following page for these steps:

1. Assemble Horizontal Tubes (#12) to "I" Frame (#6) using Bolts (#5), Washers (#3) and Nuts (#7)
Repeat for all four Horizontal Tubes. Slide Tube Caps (#13) over ends of Horizontal Tubes (#12).
2. Making sure that both of the holes (A) are in matching positions. Assemble both "I" Frame pieces by sliding Bolt (#10) through the center holes in each "I" Frame section, and securing with Washers (#3) and Nuts (#7). Be sure to place Large Washer (#11) inbetween the two "I" Frame halves.
3. Slide the Eye Bolt with Chain (#8) through one half of the "I" Frame section, from the inside and secure with Washer (#3) and Nut (#7).
4. Slide the Eye Hook (#9) through the other half of the "I" Frame section, again, from the inside. Secure with Washer (#3) and Nut (#7).
5. Hook Chain (#8) to Eye Hook (#9) to hold the assembled bumper stand frame. Adjust links for desired height.
6. On outside edge of "I" Frame (#6), align hole (B) with round hole in Extension Bar Bracket (#2) and align adjusting slot with hole (C). Secure using Bolt (#14), Washer (#3) and Nut (#7). Screw Knob (#4) through Washer (#3) and adjusting slot into hole (C). Tighten to secure the angle of the Extension Bar Bracket.
7. Slide Extension Bar (#1) into Extension Bar Bracket (#2). Secure with Knob (#4) and Washer (#3). Tighten to secure the height of the Extension Bar.
8. Repeat steps 6 and 7 on other side.
9. Your ATD-6571 Heavy-Duty Folding Bumper Stand is ready to use!

ATD®

ATD-6571



ITEM#	ORDERING PART#	PART DESCRIPTION	QTY
1	PRT6571-01	EXTENSION BAR	2
2	PRT6571-02	EXTENSION BAR BRACKET	2
3	PRT6571-HK	WASHER	18
4	PRT6571-HK	KNOB	4
5	PRT6571-HK	BOLT	8
6	PRT6571-06	"I" FRAME	2
7	PRT6571-HK	LOCK NUT	11
8	PRT6571-HK	EYE BOLT WITH CHAIN	1

ITEM#	ORDERING PART#	PART DESCRIPTION	QTY
9	PRT6571-HK	EYE HOOK	1
10	PRT6571-HK	BOLT	1
11	PRT6571-HK	LARGE WASHER	1
12	PRT6571-12	HORIZONTAL TUBE	4
13	PRT6571-13	TUBE COVER	4
14	PRT6571-HK	BOLT	4
15	PRT6571-HK	NUT	4

Check out the collection of workbenches we offer.