



ATD-6570
Rotating Paint Panel Stand
Owner's Manual



FEATURES:

- Universal stand handles fenders, doors, hoods and bumpers
- (8) Adjustable bars hold panels securely
- Portable for fast movement from prep to spray booth
- Round handle allows 350° rotation in 16° increments
- 200 lbs. capacity

General Safety Information:

1. This panel stand is not to be used for any other purpose than intended. It is intended for storage of fenders, doors, hoods and bumpers prior to preparation and spraying.
2. This panel stand is not to be used by unqualified persons or minors.
3. This panel stand is not to be used as a climbing frame or an anchor point.
4. Tie back long hair and do not wear loose clothing when using this panelstand.
5. Wear appropriate PPE (personal protective equipment) at all times when using the panel stand.
6. Use on a stable, level and dry surface only.
7. Keep your work area clean and tidy at all times.
8. Do not put more than 200 lbs. on this panel stand at any time, and keep load balanced.
9. Do not carry out any work in such a way that you will compromise the integrity of the stand or the safety of yourself, colleagues, visitors, or in any manner that will cause damage to property.

Assembly Instructions:

Please refer to the diagrams on the following pages for these steps:

1. Check to be sure all of the parts and hardware are present.
2. If you are missing parts or hardware, please contact your point of sale immediately.
3. Bolt Front Brace (#11) onto Front Stabilizer (#28)
4. Bolt Rear Brace (#4) to Axle (#6)
5. Slide Wheels (#7) onto Axle ends (#6) and secure with Flat Washers and Cotter Pins (#23 & #24)
6. Bolt Tool Tray (#5) and Handle (#29) between Front and Rear Braces (#11 and #4)
7. Slide Adjustable Gear Handle (#10) into the Front Brace (#11)
8. Slide Stand Pole (#1) onto Adjustable Gear Handle (#10) and secure with Bolt, Ring Washer, Plastic Bushing and Washer (#17, #26, #18 & #22)
9. Slide Stand Extension Pole (#2) into Stand Pole (#1)
10. Bolt Spray Gun Holder (#25) to the inside of front Brace (#11)
11. Install Arm by sliding Buckle (#14) over Stand Pole (#1) and screwing the Knob (#15) onto the Buckle (#14)
Tightening the Knob (#15) will create tension to hold the Arm(s) (#8 & #9) securely to the Stand Pole (#1) and will be used to adjust the Arms as well.
12. Repeat for all Arms and Prop Arms.
13. Slide Handle (#16) onto Stand Extension Pole (#2) and tighten with Hand Screw provided
14. Setup complete



1



1



3



4



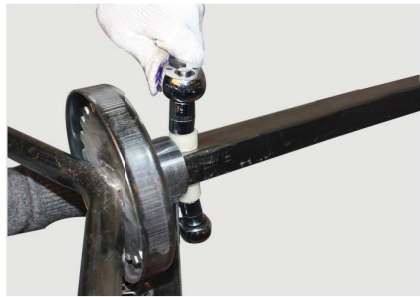
5



6



7



8



9



10



11



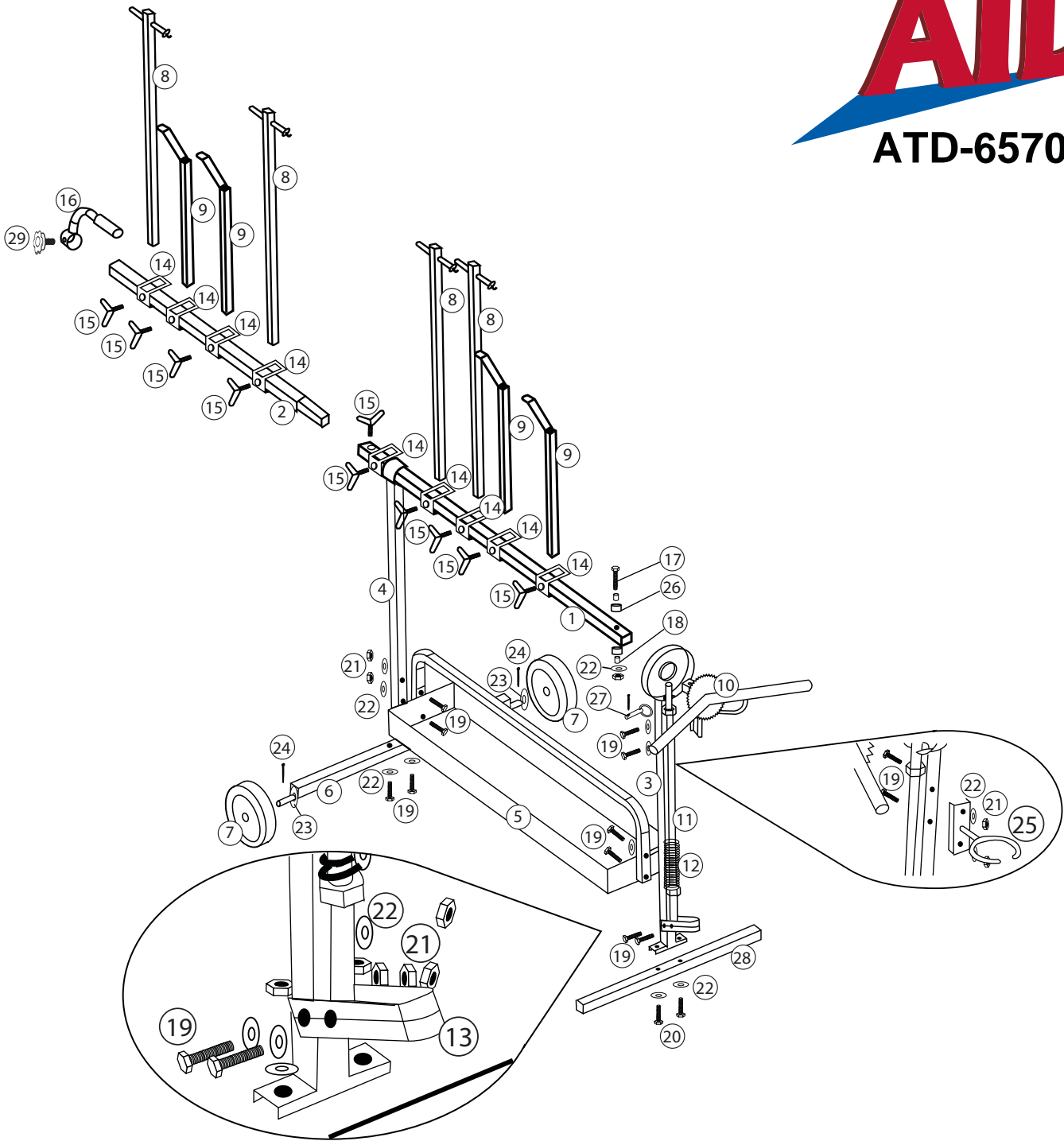
12



13



14



ITEM#	ORDERING PART#	PART DESCRIPTION	QTY
1	PRT6570-01	STAND POLE	1
2	PRT6570-02	STAND EXTENSION POLE	1
3	PRT6570-03	FRONT BRACE	1
4	PRT6570-04	REAR BRACE	1
5	PRT6570-05	TOOL TRAY	1
6	PRT6570-06	AXLE	1
7	PRT6570-07	WHEEL	2
8	PRT6570-08	ARM	4
9	PRT6570-09	PROP ARM	2
10	PRT6570-10	ADJUSTABLE GEAR HANDLE	1
11	PRT6570-11	FRONT BAR	1
12	PRT6570-12	FRONT SPRING	1
13	PRT6570-13	PEDAL	1
14	PRT6570-14	BUCKLE	6
15	PRT6570-15	KNOB	9

ITEM#	ORDERING PART#	PART DESCRIPTION	QTY
16	PRT6570-16	HANDLE	1
17	PRT6570-HK	BOLT, M8 x 75	1
18	PRT6570-HK	PLASTIC BUSHING	2
19	PRT6570-HK	BOLT, M8 x 45	10
20	PRT6570-HK	BOLT, M8 x 40	2
21	PRT6570-HK	NUT, M8	13
22	PRT6570-HK	WASHER, 8mm	14
23	PRT6570-HK	WASHER, 16mm	2
24	PRT6570-HK	COTTER PIN	2
25	PRT6570-25	SPRAY GUN HOLDER	1
26	PRT6570-HK	RING WASHER	2
27	PRT6570-27	FRONT BAR PIN	1
28	PRT6570-28	FRONT STABILIZER	1
29	PRT6570-29	PLASTIC KNOB	1