



ATD-5842 1/4" Heavy-Duty Hand Riveter



Features:

- Extra long handles provide excellent leverage
- Includes (5) nosepieces to set 1/8", 5/32", 3/16", 7/32" and 1/4" steel and aluminum rivets
- 2-1/4" nose
- Heavy-duty metal construction
- Overall Length: 20-3/4"
- Shipping Weight: 4.8 lbs.

IMPORTANT SAFETY INSTRUCTIONS

1. Read all instructions before using this tool.
2. Always wear ANSI approved safety goggles when using this product.
3. Normal use of this product is likely to expose the user to dust and/or microscopic particles containing chemicals known to the State of California to cause cancer, birth defects or other reproductive harm
4. Always wear appropriate safety equipment and clothing when using this product. Study, understand, and follow all instructions provided with this product.

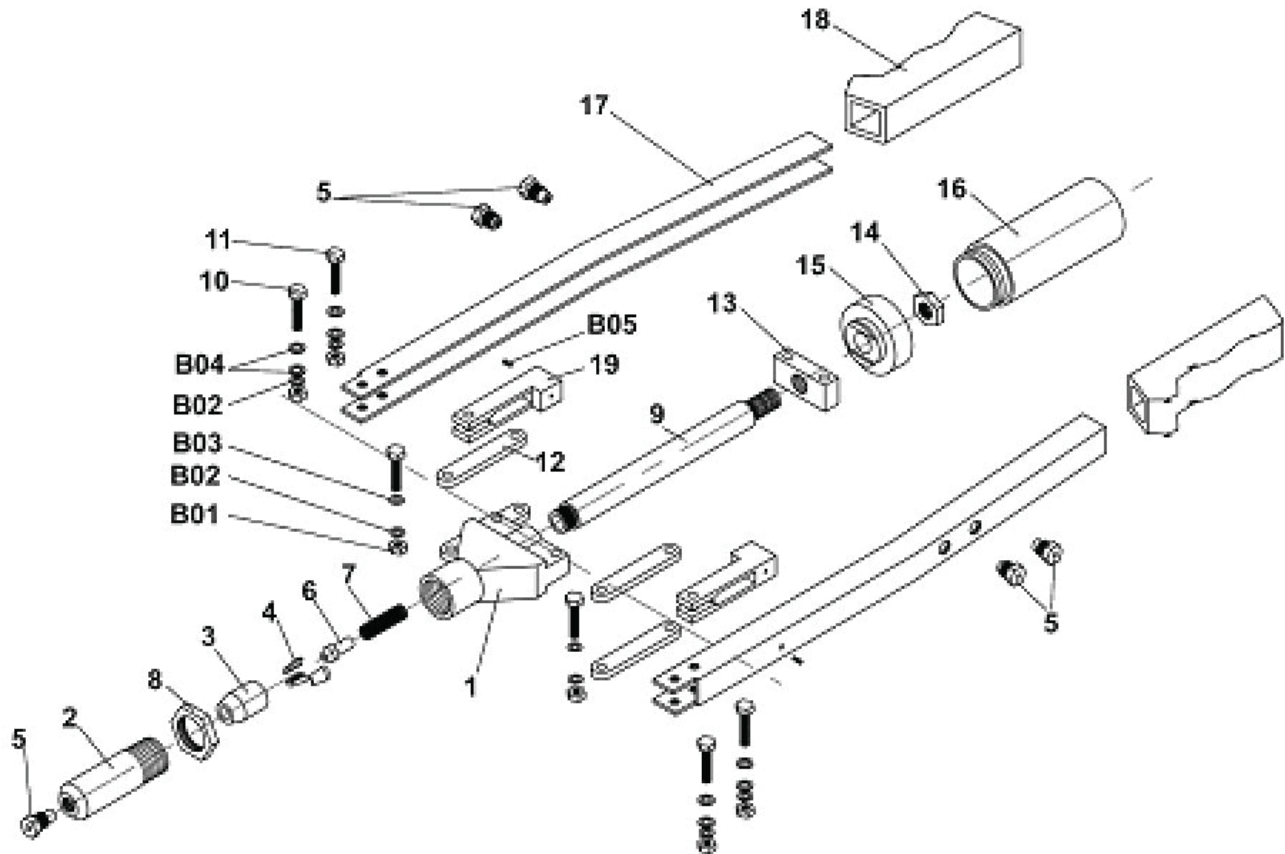


INSTRUCTIONS FOR USE:

1. Open tool handle fully and insert rivet mandrel all the way into tool nosepiece then insert rivet head completely into the prepared hole.
2. Squeeze tool handle until rivet mandrel breaks off. If more than one squeeze is required, open tool handle fully and squeeze again.
3. Finally, open tool handle fully to eject rivet mandrel from tool.



ATD-5842



ITEM#	ORDERING PART#	PART DESCRIPTION
1	PRT5842-01	BODY
2	PRT5842-02	LINKER
3	PRT5842-03	JAW CARRIER
4	PRT5842-04	JAW
5	PRT5842-05	NOSEPIECES (SET OF 5)
6	PRT5842-06	PUSHER
7	PRT5842-07	SPRING
8	PRT5842-08	LOCK NUT
9	PRT5842-09	PULLING ROD
10	PRT5842-HK	SHORT BOLT
11	PRT5842-HK	LONG BOLT
12	PRT5842-12	LINK
13	PRT5842-13	PULLING ROD BASE
14	PRT5842-14	NUT
15	PRT5842-15	LID
16	PRT5842-16	BOTTLE
17	PRT5842-17	HANDLE
18	PRT5842-18	PLASTIC GRIP
19	PRT5842-19	CUSHION
B01	PRT5842-HK	LOCK NUT
B02	PRT5842-HK	WASHER (5x0.8)
B03	PRT5842-HK	WASHER (6x0.6)
B04	PRT5842-HK	COPPER WASHER
B05	PRT5842-HK	BOLT