



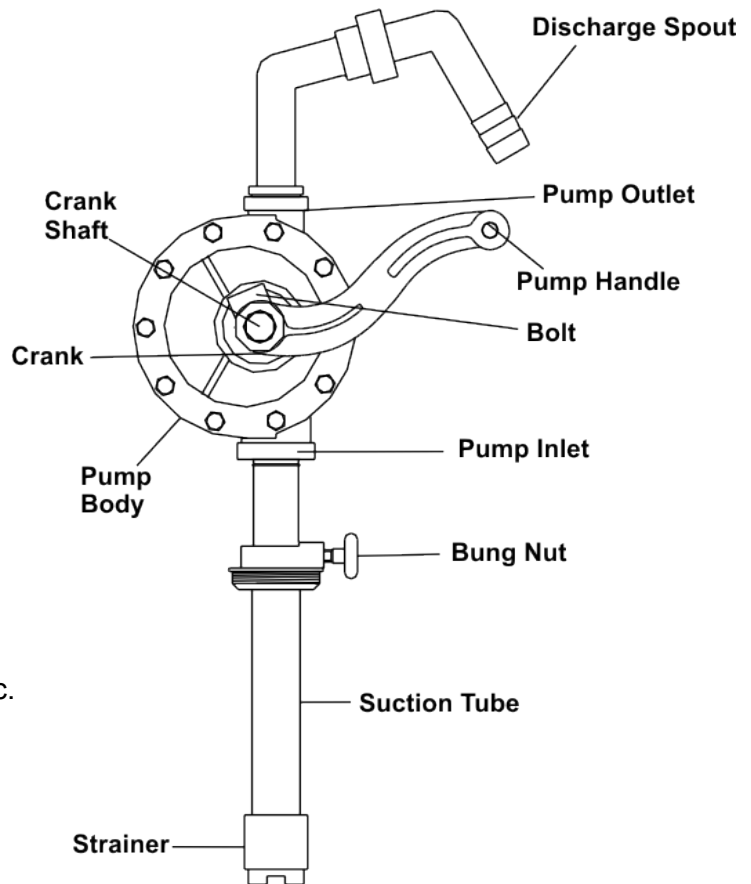
SERVICE INSTRUCTIONS FOR ATD-5019 PLASTIC ROTARY PUMP

Piece Count:

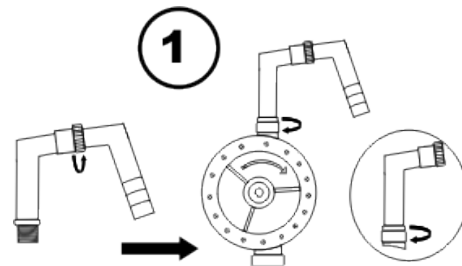
1. Pump Body
2. Pump handle (2 piece - Crank & handle with nut)
3. Bung Nut with 2" threads (2 pieces)
4. Discharge Spout (2 piece construction)
5. Suction Tube (3 piece construction)

Features:

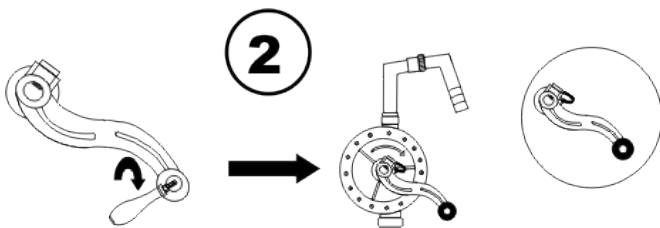
- Plastic construction , allows use with a vast range of media.
- Fits 15 to 55 gallon (50- 205 liter) drums.
- Dispenses 5 liters (1.30 gl.) per 20 turns.
- Can be used with water based media,
- Antifreeze, detergents, washing fluids, chemicals etc.
- Anti-Static.



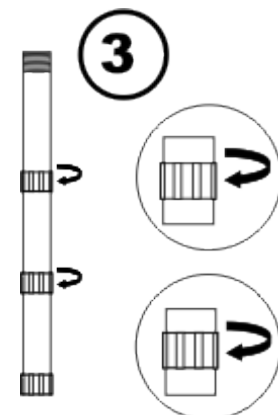
Assemble the 2 parts of the Discharge spout together & fasten the assembly onto the outlet on the main pump body

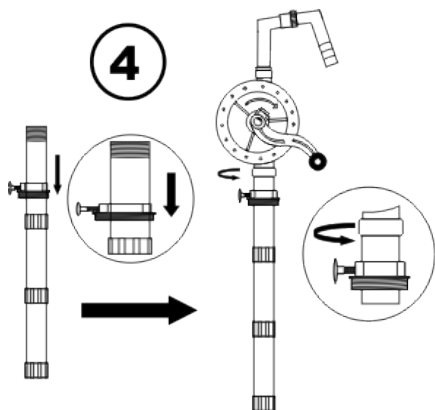


Fix the pump handle onto the crank & connect the crank to the crankshaft on the pump body. Secure the connection using the bolt provided. Make sure that the bolt fits onto the depression in the crankshaft



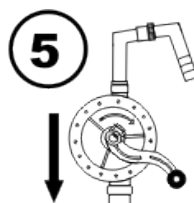
Assemble the suction tube parts, depending upon the drum size on which the pump is to be installed. The suction tube part with the strainer may be connected direct onto the pump inlet or assembled with one extension or both extensions, depending upon drum size. All 3 parts must be connected for use with 55 gallon / 205 liter drums. It is good practice to use a sealant such as Teflon in connecting the suction tube parts for a totally leak-proof connection.



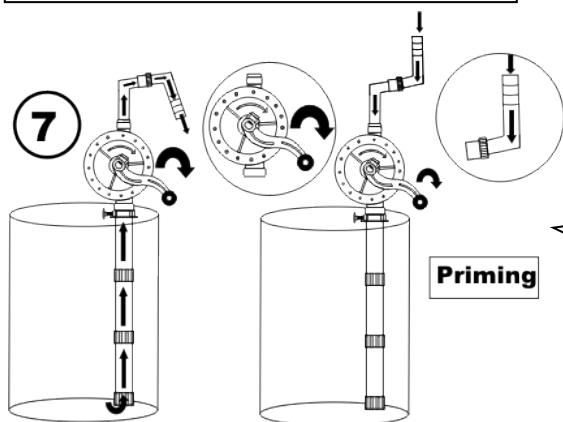
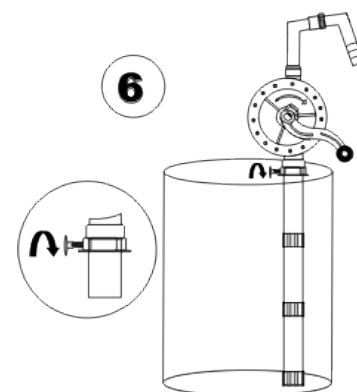


Choose the bung adapter from the two that best fits your drum. Each pack comes with two adapters, which have slight difference in the threads to suit different drums (metal & plastic). Slide the selected 2" bung onto the tube from the top end & tighten the suction tube onto the inlet on the main pump body. It is good practice to use a sealant such as Teflon in connecting the suction tube to the pump inlet.

Insert the pump assembly into the drum from the 2" bung opening on the drum.

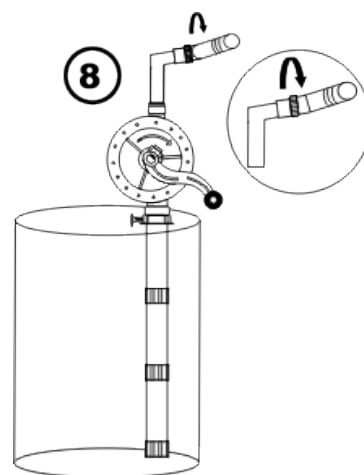


Once the bottom of the pump touches the base of the drum, securely fasten the bung onto the drum. Now very lightly tighten the bung onto the suction tube



Take an empty container & place it below the discharge spout. Start rotating pump handle. Within a maximum of 7 rotations, pump will be primed & will start dispensing media. In a rare case, where the pump does not get primed, the same can be done by reversing the outlet discharge spout on the pump & pouring about 30 ml of any oil into the outlet & operating the pump handle for about 7 rotations.

Once you have completed pumping the media, it is a good practice to invert the discharge spout sideways for a non-drip operation.



NOTE: If the pump is re-used after an extended period of time, it may lose its prime & need re-priming.

COMPATIBILITY CHART

Liquid	Compatibility	Liquid	Compatibility
Acetaldehyde aq.	No	Hydrobromic acid aq.	No
Acetic acid aq.	No	Hydrogen peroxide aq.	Yes
Acetone	No	Hydrogen sulphide aq.	No
Aluminum chloride aq.	Yes	Isopropyl Alcohol	Yes
Aluminum sulphate aq.	Yes	Kerosene	Yes
Ammonia gas	No	Lacquer	No
Ammonium chloride aq.	Yes	Magnesium chloride aq.	Yes
Amyl Alcohol	No	Methyl chloride	No
Aniline	No	Methyl ethyl ketone	No
Antifreeze	Yes	Mineral Oils	No
Barium chloride aq.	Yes	Napthalene	Yes
Benzene	Yes	Nickel sulphate aq.	Yes
Boric acid aq.	Yes	Oxalic acid aq.	Yes
Butyl Alcohol	Yes	Ozone	No
Carbon tetrachloride	No	Petrol	Yes
Chloroform	No	Phenol	Yes
Chromic acid aq.	Yes	Potassium chloride aq.	Yes
Citric acid aq.	Yes	Soap Solutions	Yes
Cresylic acid	No	Sodium nitrate aq.	No
Cyclohexanol	No	Solvents	No
Cyclohexanone	No	Stearic acid	Yes
Detergent	Yes	Sulphuric acid aq.	Yes
Diesel	Yes	Toluene	No
Ethers	No	Transformer Oil	Yes
Ethyl acetate	No	Transmission Fluid	Yes
Ethylene dichloride	No	Trichloroethylene	No
Ethylene Glycol	Yes	Turpentine	No
Formaldehyde aq.	No	Vinyl chloride	No
Freon 12	Yes	Water	Yes
Fuel Oil	Yes	Xylene	No
Glycerine	Yes		

Note : Use of this equipment to pump other than approved fluids will void the manufacturing warranty

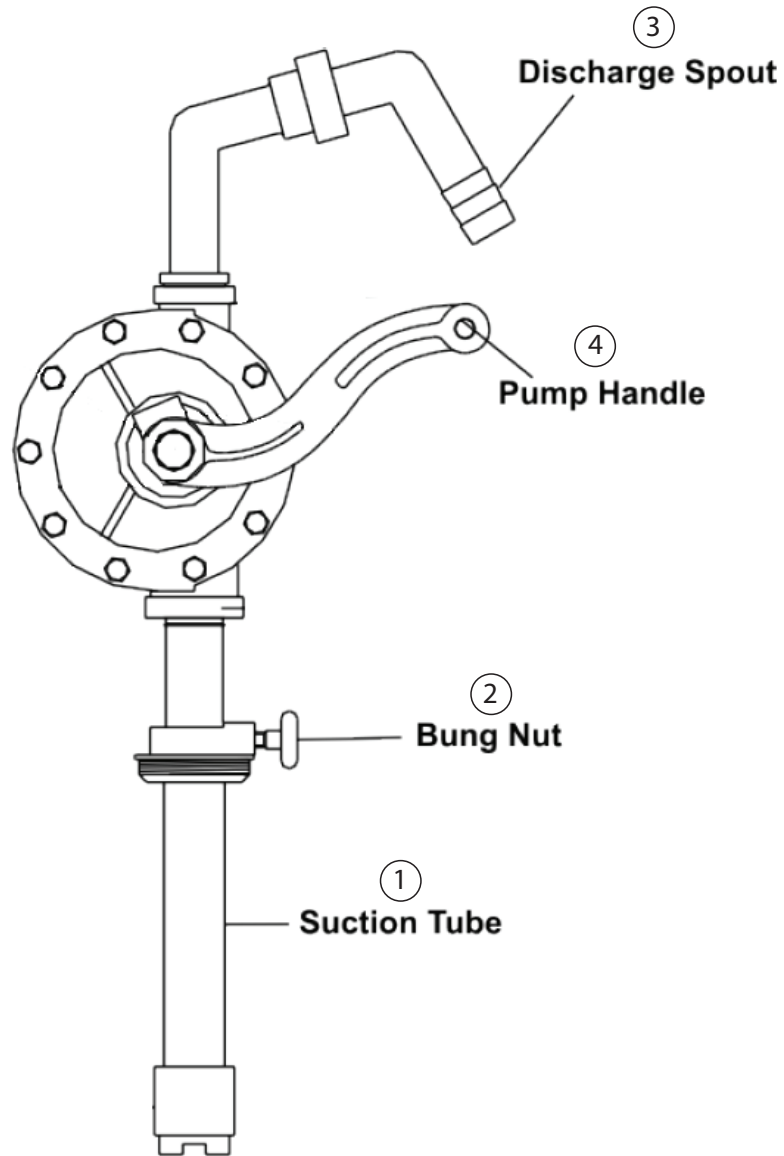
Warning: Never operate the pump near fire or source of spark. Some media may be explosive & dangerous to pump

TROUBLESHOOTING:

Sr. Nr.	PROBLEM	CAUSE	REMEDY
1	Pump does not dispense fluid	Pump not able to create adequate suction	Prime pump. Follow Step 7 above
		Pumps is drawing in air , instead of fluid	Tighten all connections of suction tube & of the suction tube with pump inlet
		Suction tube inlet is blocked	Remove suction tube & clean strainer at tube inlet
2	Leakage of media from the crankshaft	Damaged seal due to use with media not suitable for use with pump	Replace seal with genuine replacement seal from manufacturer



ATD-5019



ITEM#	ORDERING PART#	PART DESCRIPTION
1	PRT5019-01	3 PIECE SUCTION TUBE
2	PRT5019-02	DRUM NUT
3	PRT5019-03	PLASTIC DISCHARGE OUTLET
4	PRT5019-04	HANDLE ASSY (INCL HANDLE, GRIP)