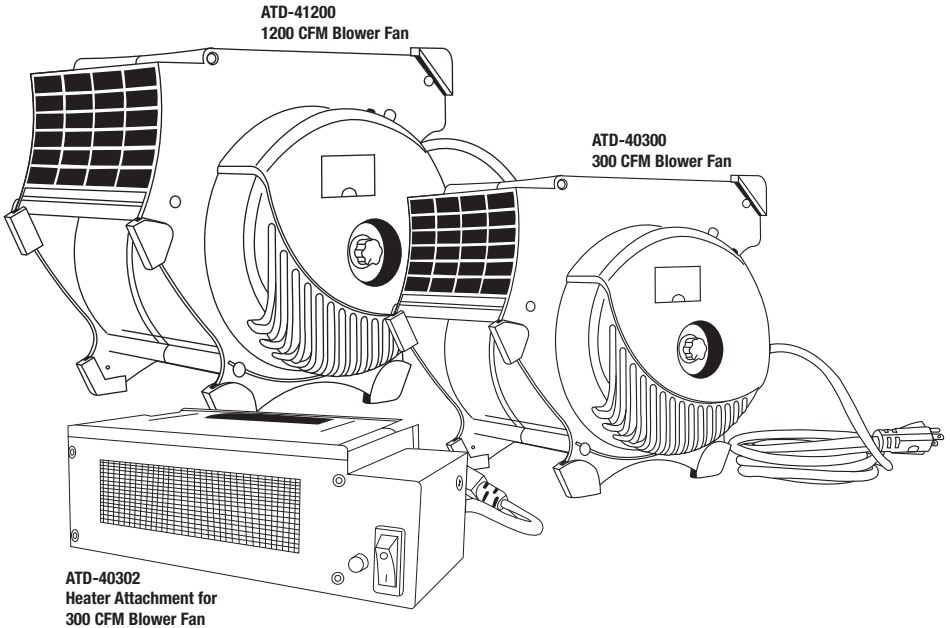




# ATD-41200, ATD-40300, ATD-40302 1200 CFM Blower Fan, 300 CFM Blower Fan, Heater Attachment for 300 CFM Blower Fan INSTRUCTION MANUAL



1200 CFM BLOWER FAN	300 CFM BLOWER FAN	HEATER ATTACHMENT FOR 300 CFM BLOWER FAN
<ul style="list-style-type: none"> <li>• 120 Volts, 60 Hz</li> <li>• Rated Power: 2.0 Amp</li> <li>• Moves air up to: 1200 CFM</li> <li>• For indoor or outdoor use</li> <li>• Variable Speed Switch Controls Motor Speed: 950-1650 RPM</li> <li>• Built-in Overload Protection</li> <li>• (2 pcs) 11 Amp Built-In Grounded Receptacles</li> <li>• Housing Material: Impact Resistant ABS</li> <li>• 8.5 ft Cord Length, SJTW 14AWG</li> <li>• 4-position adjustment feet</li> <li>• Unit weight: 15.9 lbs</li> </ul>	<ul style="list-style-type: none"> <li>• 120 Volts, 60 Hz</li> <li>• Rated power: 1.0 Amp</li> <li>• Moves air up to: 300 CFM</li> <li>• For indoor or outdoor use</li> <li>• Variable Speed Switch Controls Motor Speed: 950-1650 RPM</li> <li>• Built-in Overload Protection</li> <li>• (2 pcs) 11 Amp Built-In Grounded Receptacles</li> <li>• Housing material: Impact Resistant ABS</li> <li>• 8.5 ft Cord Length, SJTW 14AWG</li> <li>• 4-position adjustment feet</li> <li>• Unit weight: 11.5 lbs</li> </ul>	<ul style="list-style-type: none"> <li>• 1320 Watts, 120 Volts</li> <li>• 11 Amps, 5000 BTU</li> <li>• Converts Blower into a Heater</li> <li>• Clips Securely onto the Front of the Blower and Plugs into one of the Out lets on the Side of the Blower</li> <li>• 14AWG SJT Cord, Grounded Plug</li> </ul>



**California Prop 65 WARNING:**

These products contain lead and other chemicals known to the State of California to cause cancer, birth defects and other reproductive harm. **Wash hands after handling.**

## **WARNING!**

### **BLOWER FAN:**

- 1) Always look over the work area prior to use. Never use near or in water. Do not use in damp or wet work areas.
- 2) Never use near flammable liquids or areas.
- 3) Do not restrict the flow of air to or from the unit, as you may cause damage to the unit.
- 4) Always wear safety glasses when operating the blower fan. In dusty areas a dust mask or respirator, may be necessary.
- 5) Always maintain power cord. Do not unplug the unit by pulling on the cord. Always check the power cord for damage prior to use.
- 6) Always secure the unit if using in an unstable environment.
- 7) Never place any tool or object into the air intake or discharge grill.
- 8) Always maintain the unit. For optimum performance keep the motor, air blower and blower wheel clean. See maintenance instructions for proper cleaning procedure.
- 9) Always disconnect the power cord prior to servicing and when not in use.
- 10) Always inspect the unit prior to use. Check the motor, air blower, power and housing of the unit for any possible damage. If found, repair the affected area prior to use.
- 11) Never use 15 amp receptacle with a device rated higher than 15 amps.
- 12) Do not run cord under carpeting. Do not cover cord with throw rugs, runners, or the like. Arrange cord away from traffic area where it may be tripped over.
- 13) Failure to read and follow these warnings may result in serious injury.

## **WARNING!**

### **HEATER:**

#### **This heater is designed for use with the 300 CFM Blower Fan Only.**

When using electrical appliance, basic precautions should always be followed to reduce the risk of fire, electrical shock, and injury to a person, including the following:

- 1) Read all instructions before using this heater.
- 2) This heater is hot when in use. To avoid burns, do not let bare skin touch hot surfaces. Use the blower handle to move the heater. Keep combustible materials, such as furniture, pillows, bedding, papers, clothes, and curtains at least 3 feet from the front of the heater and keep them away from the side and the rear of the heater.
- 3) Extreme caution is necessary when any heater is used by or near children or disabled personnel and whenever the heater is left operating and unattended.
- 4) Always unplug heater when not in use.
- 5) Do not operate any heater with a damaged cord or plug or after the heater malfunctions, has been dropped, or damaged in any manner. Return heater to our service center for examination, electrical or mechanical adjustments, or repair.
- 6) Do not use outdoors.
- 7) This heater is not intended for use in bathrooms, and similar wet indoor locations. Never locate heater where it may fall into a bathtub or other water container.
- 8) Connect to properly grounded outlets only.
- 9) Do not insert or allow foreign objects to enter any ventilation or exhaust openings as this may cause an electrical shock or fire, or damage the heater.

- 10) To prevent a possible fire, do not block air intakes or exhaust in any manner. Do not use on soft surfaces, like a bed, where openings may be blocked.
- 11) A heater has hot, arcing, or sparking parts inside. Do not use it in areas where gasoline, paint, flammable liquids, fumes or dusts are used or stored.
- 12) Use this heater only as described in this manual. Any other use not recommended by the manufacturer may cause fire, electric shock, or injury to persons.
- 13) Avoid the use of extension cords because the extension cord may overheat and cause a risk of fire.
- 14) Allow heater to cool before turning off blower.
- 15) SAVE THESE INSTRUCTIONS

## **HEATER ATTACHMENT OPERATION INSTRUCTIONS:**

Only attach heater to 300 CFM Blower Fan unit. Slide the heater over the blower outlet and secure the spring clip to the blower catch. The fit should be tight with no gaps.

### **TO OPERATE:**

Plug the heater power cord into the blower receptacle. **TURN THE BLOWER ON FIRST** and then turn on the heater with the lighted On-Off switch. When the switch is lit, the power is applied to the heater.

### **TO SHUT OFF:**

**TURN THE HEATER OFF FIRST** and then wait a few minutes before turning off the blower. This allows the heater to cool down and extends the life of the heater unit.

### **TO DISCONNECT:**

To disconnect heater, turn heater control to off, remove heater plug from blower receptacle, and uncouple heater from blower outlet.

### **CONTROLS:**

- 1) Lighted On-Off Switch: Lit when power is applied to the heater.
- 2) Air Switch: Provides an interlock so the heater can only be operated after being mounted on a blower and the blower is normally operating.
- 3) Internal Thermostat: An internal thermostat has been provided to maintain the heater temperatures within normal operating ranges.
- 4) Power Indicator Light: Lit when the heater is normally operating.
- 5) Internal Thermal Fuse: If the thermostat should fail or the temperature of the heater starts to reach a hazardous range, a one time thermal fuse protects against hazardous over-thermostat conditions. This fuse is set to trip above the thermostat set point and is a factory replaceable item.

## **HEATER ATTACHMENT MAINTENANCE INSTRUCTIONS**

### **TO CLEAN:**

- 1) Always unplug and disconnect the heater from blower before cleaning.

- 2) Use a soft cloth moistened with a mild soap solution for the case.
- 3) Use a soft brush to clean the screens.
- 4) NEVER IMMERSE the heater in water, or allow water to drip into the heater housing. NEVER use gasoline, benzene, thinners, or similar materials to clean the heater. They will damage the heater and could cause a fire or explosion.

### **HEATER ATTACHMENT GROUNDING INSTRUCTIONS**

This heater is for use on 120 volts. The cord has a plug and is intended for insertion into the receptacle on the 300 CFM Fan Blower case only. The blower has a similar configured plug. Use only with a properly grounded receptacle.