



# ATD-2143

## 3/8" REVERSIBLE AIR DRILL WITH KEYLESS CHUCK

### **! WARNING**

- MAXIMUM RPM OF 1,800
- ALWAYS WEAR APPROVED EAR AND EYE PROTECTION.
- ALWAYS OPERATE AT MAX. AIR PRESSURE OF 90 PSIG, 6.2 BAR.
- REPETITIVE MOTION/EXTENDED EXPOSURE TO VIBRATION MAY HARM HANDS/ARMS.
- ACCESSORY USED MUST BE RATED HIGHER THAN 1,800 RPM

### **! WARNING**



**ALWAYS READ INSTRUCTIONS BEFORE USING POWER TOOLS**

*THIS INSTRUCTION MANUAL CONTAINS IMPORTANT SAFETY INFORMATION*

*READ CAREFULLY AND UNDERSTAND ALL INFORMATION BEFORE OPERATING THIS TOOL!*

*SAVE THIS MANUAL FOR FUTURE REFERENCE.*

### **! WARNING**

Some dust created by power sanding, sawing, grinding, drilling, and other construction activities contains chemicals known to cause cancer, birth defects or other reproductive harm. Some examples of these chemicals are:

- lead from lead-based paints,
- crystalline silica from bricks and cement and other masonry products, and
- arsenic and chromium from chemically-treated lumber.

Your risk from these exposures varies, depending on how often you do this type of work. To reduce your exposure to these chemicals: work in a well ventilated area, and work with approved safety equipment, such as those dust masks that are specially designed to filter out microscopic particles.

### **S P E C I F I C A T I O N S**



Free Speed . . . . .	1,800 RPM
Air Inlet . . . . .	1/4"-18 NPT
Hose Size . . . . .	3/8" I.D.
Rec. Air Pressure . . . . .	.90 psig (6.2 bar)
Avg. Air Consumption . . . . .	3.92 cfm
Sound Level . . . . .	92 dBA
Length . . . . .	.7.6"
Shipping Weight . . . . .	3.4 Lbs.



# ⚠ WARNING!

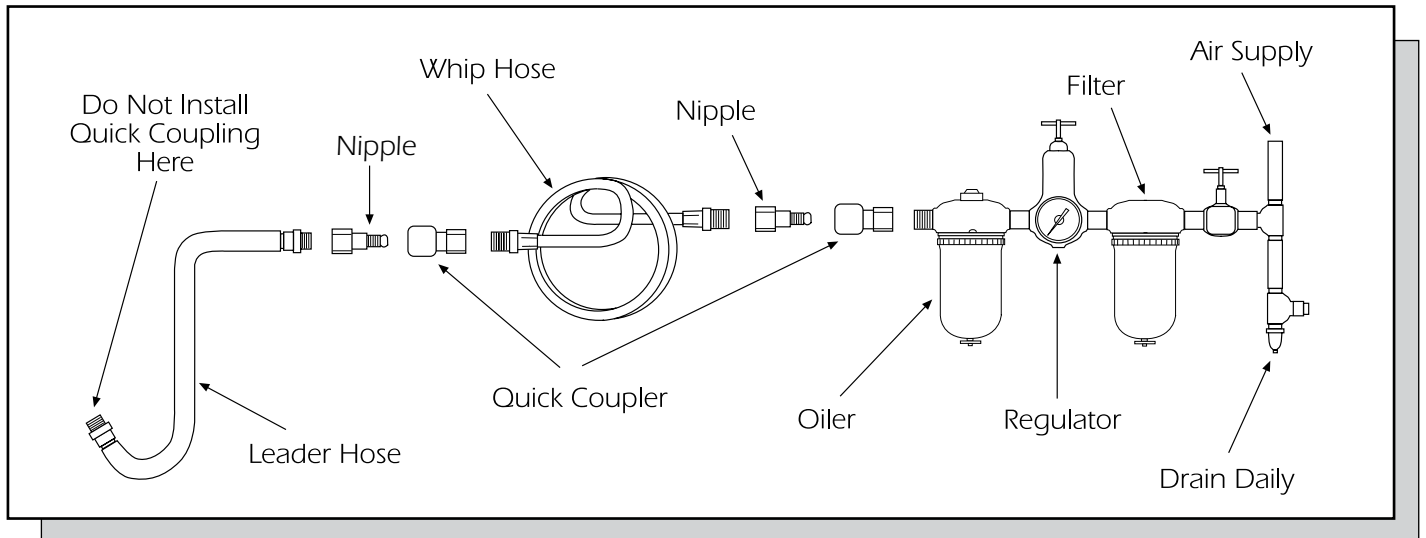
## FAILURE TO OBSERVE THESE WARNINGS COULD RESULT IN INJURY.

THIS INSTRUCTION MANUAL CONTAINS IMPORTANT SAFETY INFORMATION.

READ THIS INSTRUCTION MANUAL CAREFULLY AND UNDERSTAND ALL INFORMATION BEFORE OPERATING THIS TOOL.

- Always operate, inspect and maintain this tool in accordance with American National Standards Institute Safety Code of Portable Air Tools (ANSI B186.1) and any other applicable safety codes and regulations.
- For safety, top performance and maximum durability of parts, operate this tool at 90 psig 6.2 bar max air pressure with 3/8" diameter air supply hose.
- Always wear impact-resistant eye and face protection when operating or performing maintenance on this tool. Always wear hearing protection when using this tool. 
- High sound levels can cause permanent hearing loss. Use hearing protection as recommended by your employer or OSHA regulation.
- Keep the tool in efficient operating condition.
- Operators and maintenance personnel must be physically able to handle the bulk, weight and power of this tool.
- Air under pressure can cause severe injury. Never direct air at yourself or others. Always turn off the air supply, drain hose of air pressure and detach tool from air supply before installing, removing or adjusting any accessory on this tool, or before performing any maintenance on this tool. Failure to do so could result in injury. Whip hoses can cause serious injury. Always check for damaged, frayed or loose hoses and fittings, and replace immediately. Do not use quick detach couplings at tool. See instructions for correct set-up. 
- Air powered tools can vibrate in use. Vibration, repetitive motions or uncomfortable positions over extended periods of time may be harmful to your hands and arms. Discontinue use of tool if discomfort, tingling feeling or pain occurs. Seek medical advice before resuming use.

- Place the tool on the work before starting the tool. Do not point or indulge in any horseplay with this tool.
- Slipping, tripping and/or falling while operating air tools can be a major cause of serious injury or death. Be aware of excess hose left on the walking or work surface. 
- Keep body working stance balanced and firm. Do not overreach when operating the tool.
- Anticipate and be alert for sudden changes in motion during start up and operation of any power tool.
- Do not carry tool by the hose. Protect the hose from sharp objects and heat.
- Tool shaft may continue to rotate briefly after throttle is released. Avoid direct contact with accessories during and after use. Gloves will reduce the risk of cuts or burns.
- Keep away from rotating end of tool. Do not wear jewelry or loose clothing. Secure long hair. Scalping can occur if hair is not kept away from tool and accessories. Choking can occur if neckwear is not kept away from tool and accessories. 
- Drill bits can bind suddenly and cause rotation of the work piece or tool, causing injury to arms and/or shoulders. Enough torque is generated to cause falls. Always use sharp bits. Use less downward pressure at breakthrough.
- Do not lubricate tools with flammable or volatile liquids such as kerosene, diesel or jet fuel.
- Don't force tool beyond its rated capacity.
- Do not remove any labels. Replace any damaged labels.
- Use accessories recommended by ATD Tools.



## Air Supply...

Tools of this class operate on a wide range of air pressures. It is recommended that air pressure of these tools measures 90 PSI at the tool while running free. Higher pressure (over 90 psig; 6.2 bar) raises performance beyond the rated capacity of the tool which will shorten the tool's life because of faster wear and could cause injury.

Always use clean, dry air. Dust, corrosive fumes and/or water in the air line will cause damage to the tool. Drain the air tank daily. Clean the air inlet filter screen on at least a weekly schedule. The recommended hook up procedure can be viewed in the above figure.

The air inlet used for connecting air supply, has standard 1/4" NPT. Line pressure should be increased to compensate for unusually long air hoses (over 25 feet). Minimum hose diameter should be 3/8" I.D. and fittings should have the same inside dimensions and be tightly secured.

## Operating Instructions...

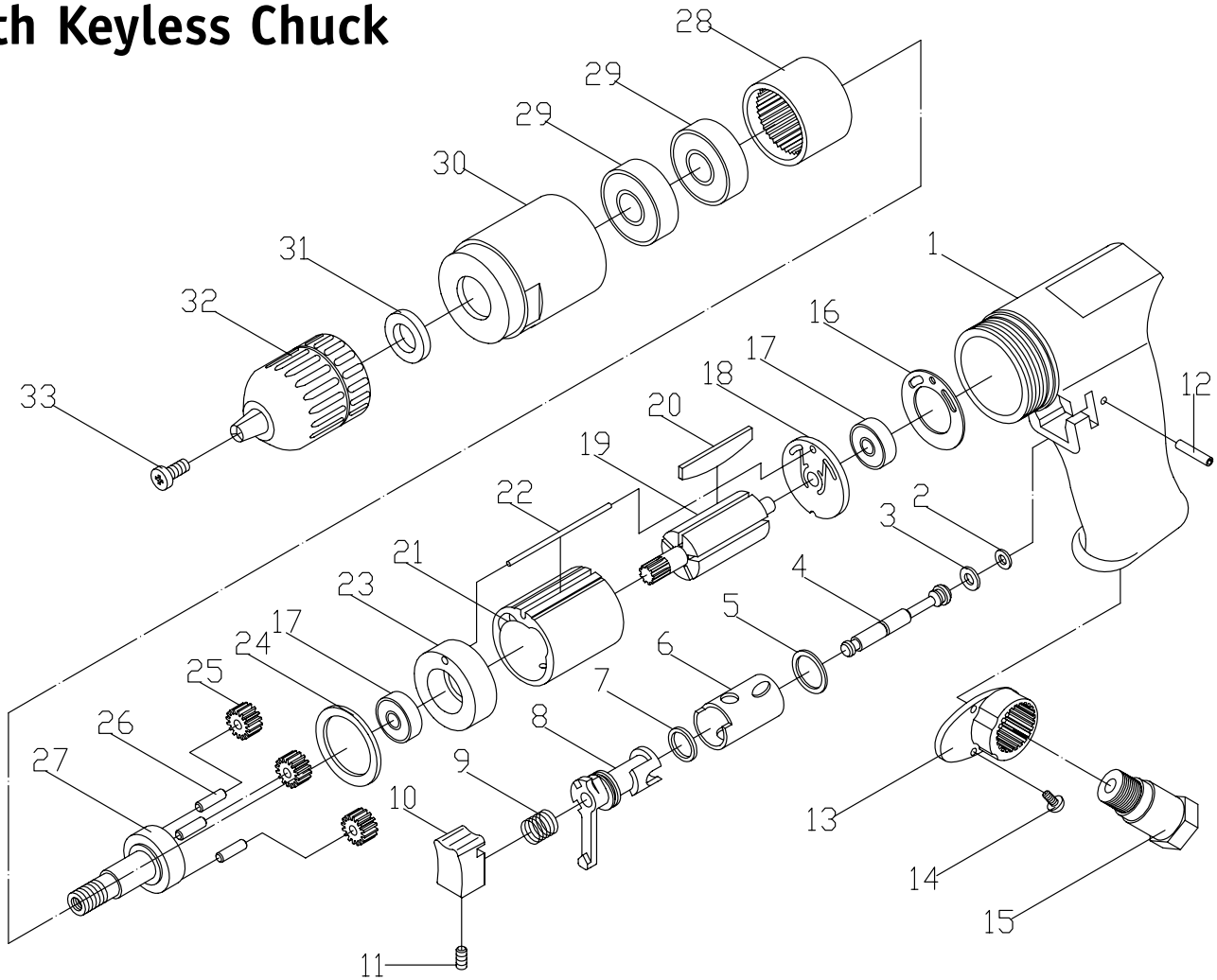
Locate center of new hole by using a center punch. Place drill bit tip in punch mark. Hold drill square with work and start motor. Apply steady, even pressure. Do not force. Too much pressure can cause bit from butting and cause it to overheat. Reduce pressure just before bit cuts through the work. When bit has penetrated work and is spinning freely, take it from the work while the motor is running, then turn off drill. If the drill jams in the work, release throttle immediately. Disconnect the drill before removing bit and determining cause of trouble. Do not attempt to free the bit by starting and stopping the motor.

## Lubrication & Maintenance...

Lubricate the air motor daily with quality air tool oil. If no air line oiler is used, run 1/2 oz. of oil through the tool. The oil can be squirted into the tool air inlet or into the hose at the nearest connection to the air supply, then run the tool. Overfilling will cause a reduction in the power of the tool.

# ATD-2143

## 3/8" Reversible Air Drill with Keyless Chuck



Ref. No.	Part No.	Description	Qty.	Ref. No.	Part No.	Description	Qty.
1	RS13001ATD	Housing	1	18	RS13018	End Plate	1
2	RS13002	O-Ring	2	19	RS13019	Rotor	1
3	RS13003	O-Ring	1	20	RS13020	Rotor Blade	5
4	RS13004	Valve Stem	1	21	RS13021	Cylinder	1
5	RS13005	O-Ring	1	22	RS13022	Pin	1
6	RS13006	Bushing	1	23	RS13023	Front Plate	1
7	RS13007	O-Ring	1	24	RS13024	Washer	1
8	RS13008	Reverse Lever	1	25	RS13025	Gear	3
9	RS13009	Spring	1	26		Pin (included with #27)	3
10	RS13010	Trigger	1	27	RS13027A	Work Spindle with Pins	1
11	RS13011	Screw	1	28	RS13028	Thread Gear Ring	1
12	RS13012	Pin	1	29	RS21114	Bearing	2
13	RS13013	Muffler Cover	1	30	RS13030	Clamp Nut	1
14	RS13014	Screw	2	31	RS13031	Washer	1
15	RS13015	Air Inlet	1	32	RS79535	Chuck	1
16	RS13016	Rear Gasket	1	33	RS13033	Chuck Screw	1
17	RS21114	Bearing	2				