



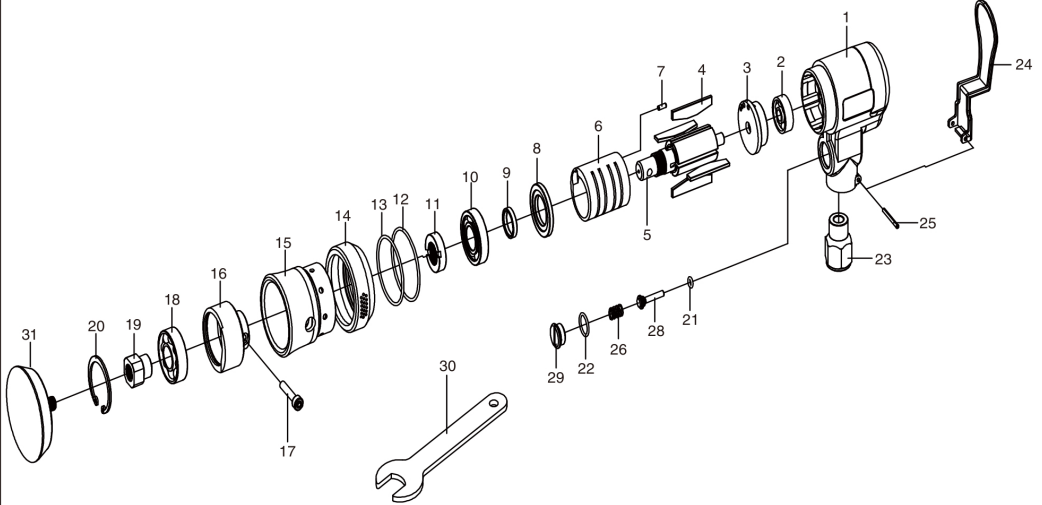
**Astro Pneumatic
Tool Company**

Model:
321

Product Type:

**MICRO 2" RANDOM ORBIT SANDER -
VELCRO - 3mm ORBIT**

PARTS BREAKDOWN



Parts List

Index	Part No.	Description	Qty	Index	Part No.	Description	Qty
1	321-01	Housing Ass'y	1	16	321-16	Orbital Hub	1
2	321-02	Ball Bearing	1	17	321-17	Screw	1
3	321-03	Rear End Plate	1	18	321-18	Ball Bearing	1
4	321-04	Rotor Blade	4	19	321-19	Bearing Seat	1
5	321-05	Rotor	1	20	321-20	Retainer Ring	1
6	321-06	Cylinder	1	21	321-21	O-Ring	1
7	321-07	Pin	1	22	321-22	O-Ring	1
8	321-08	Front End Plate	1	23	321-23	Air Inlet Bushing	1
9	321-09	Washer	1	24	321-24	Trigger	1
10	321-10	Ball Bearing	1	25	321-25	Spring Pin	1
11	321-11	Screw	1	26	321-26	Spring	1
12	321-12	O-Ring	1	28	321-28	Valve Stem	1
13	321-13	O-Ring	1	29	321-29	Valve Plug	1
14	321-14	Exhaust ring	1	30	321-30	Wrench	1
15	321-15	Connect Nut	1	31	321-31	2" PAD(5/16"-24)	1