

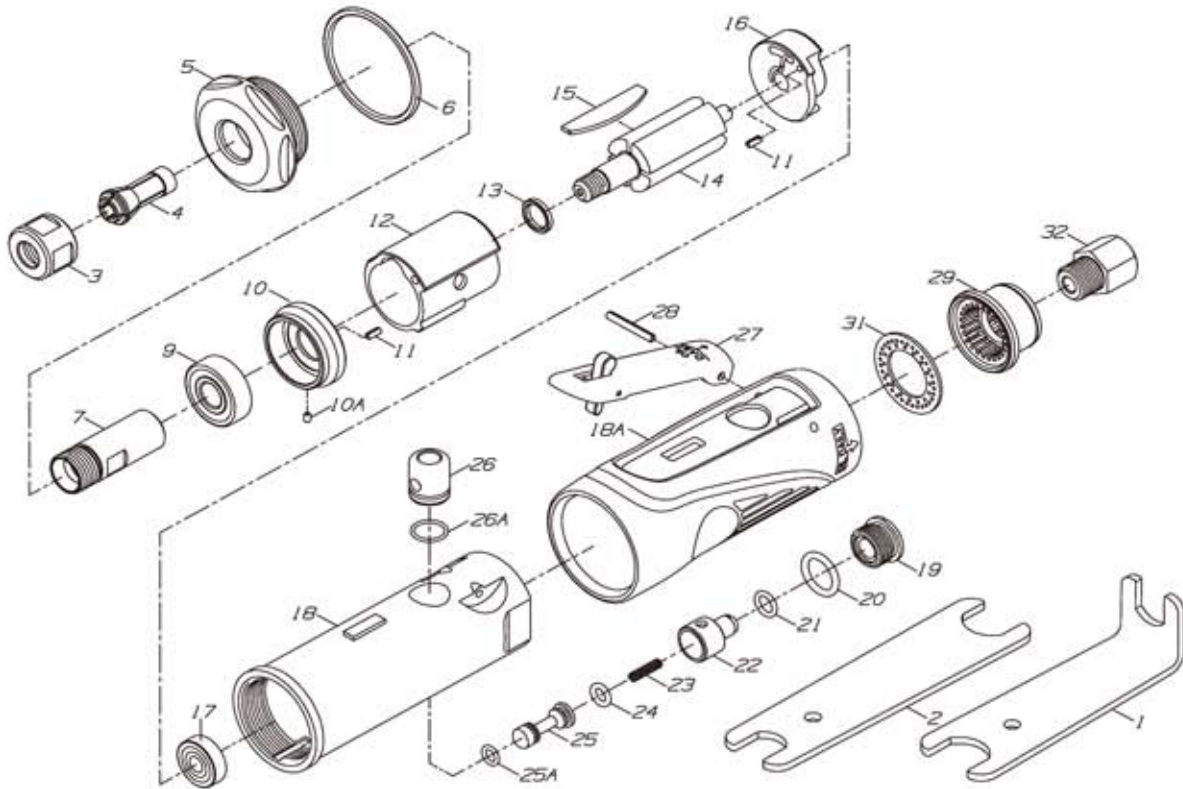


**Astro Pneumatic
Tool Company**

Model:
202

Product Type:
**COMPOSITE BODY 1/4" MEDIUM DIE
GRINDER - 22,000RPM - REAR EXHAUST**

PARTS BREAKDOWN



Parts List

Index	Part No.	Description	Qty	Index	Part No.	Description	Qty
1	T210-01	Angle Ended Spanner	1	18	1206A-18	Housing	1
2	T210-02	Double Ended Spanner	1	18A	202-18A	Housing Sleeve	1
3	T210-03	Collet Nut	1	19	T210-19	Valve Screw	1
4	T210-04	Collet	1	20	T210-20	O-Ring	1
5	202-05	Housing Cap	1	21	T210-21	O-Ring	1
6	202-06	Ring	1	22	T210-22	Air Regulator	1
7	T210-07	Spindle	1	23	T210-23	Spring	1
9	T210-08	Ball Bearing	1	24	T210-24	O-Ring	1
10	T210-09	Front End Plate	1	25	T210-25	Throttle Valve	1
10A	T210-11P	Pin	1	25A	T210-25P	O-Ring	1
11	T210-10	Pin	2	26	T210-26	Valve Bushing	1
12	T210-12	Cylinder	1	26A	T210-26P	O-Ring	1
13	T210-13	Spacer	1	27	201-05	Safety Lever	1
14	T210-14	Rotor	1	28	202-28	Throttle Pin	1
15	T210-15	Rotor Blade	4	29	202-29	Exhaust Deflector	1
16	T210-16	Rear End Plate	1	31	T210-31	Exhaust Washer	1
17	T210-17	Ball Bearing	1	32	T210-32	Inlet Bushing	1

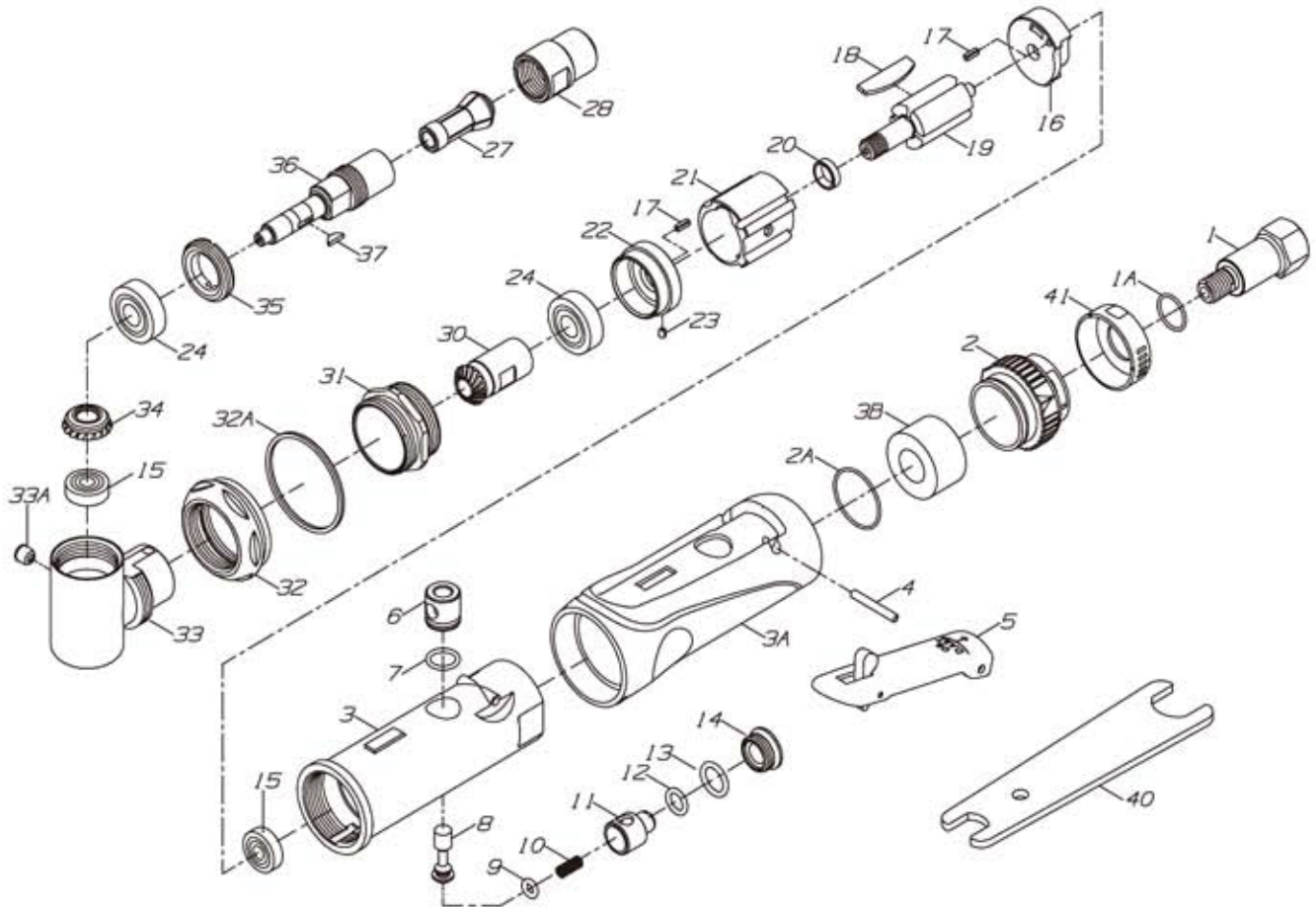


**Astro Pneumatic
Tool Company**

Model:
204

Product Type:
**COMPOSITE BODY 1/4" 90° ANGLE
DIE GRINDER - 20,000RPM -
REAR EXHAUST**

PARTS BREAKDOWN



Parts List

Index	Part No.	Description	Qty	Index	Part No.	Description	Qty	Index	Part No.	Description	Qty
1	204-01	Inlet Bushing	1	11	T20AH-04	Air Regulator	1	27	T210-04	1/4" Collet	1
1A	T210-26P	O-Ring	1	12	T20AH-05	O-Ring	1	28	T20AH-30	Collet Nut	1
2	204-02	Exhaust Deflector	1	13	T20AH-06	O-Ring	1	30	T20AH-19	Bevel Gear	1
2A	204-02A	O-Ring	1	14	T20AH-07	Valve Screw	1	31	T20AH-20	Cap Lock	1
3	204-03	Motor Housing	1	15	204-15	Ball Bearing	1	32	204-32	Threaded Cap	1
3A	204-03A	Housing Sleeve	1	16	204-16	Rear End Plate	1	32A	204-32A	Ring	1
3B	204-03B	Muffler	1	17	T210-11	Pin	2	33	204-33	Angle Housing	1
4	T210-28	Pin	1	18	T20AH-16	Rotor Blade	4	33A	204-33A	Ball Cap	1
5	204-05	Safety Lever	1	19	204-19	Rotor	1	34	T20AH-24	Bevel Gear	1
6	T20AH-31	Valve Bushing	1	20	T20AH-13	Bearing Spacer	1	35	T20AH-28	Clamp Nut	1
7	T20AH-31P	O-Ring	1	21	T20AH-14	Cylinder	1	36	T20AH-27	Spindle	1
8	204-08	Throttle Valve	1	22	204-22	Front End Plate	1	37	T20AH-26	Key	1
9	T20AH-32	O-Ring	1	23	T210-11P	Pin	1	40	204-40	Double Ended Spanner	2
10	T20AH-03	Spring	1	24	T20AH-18	Ball Bearing	2				