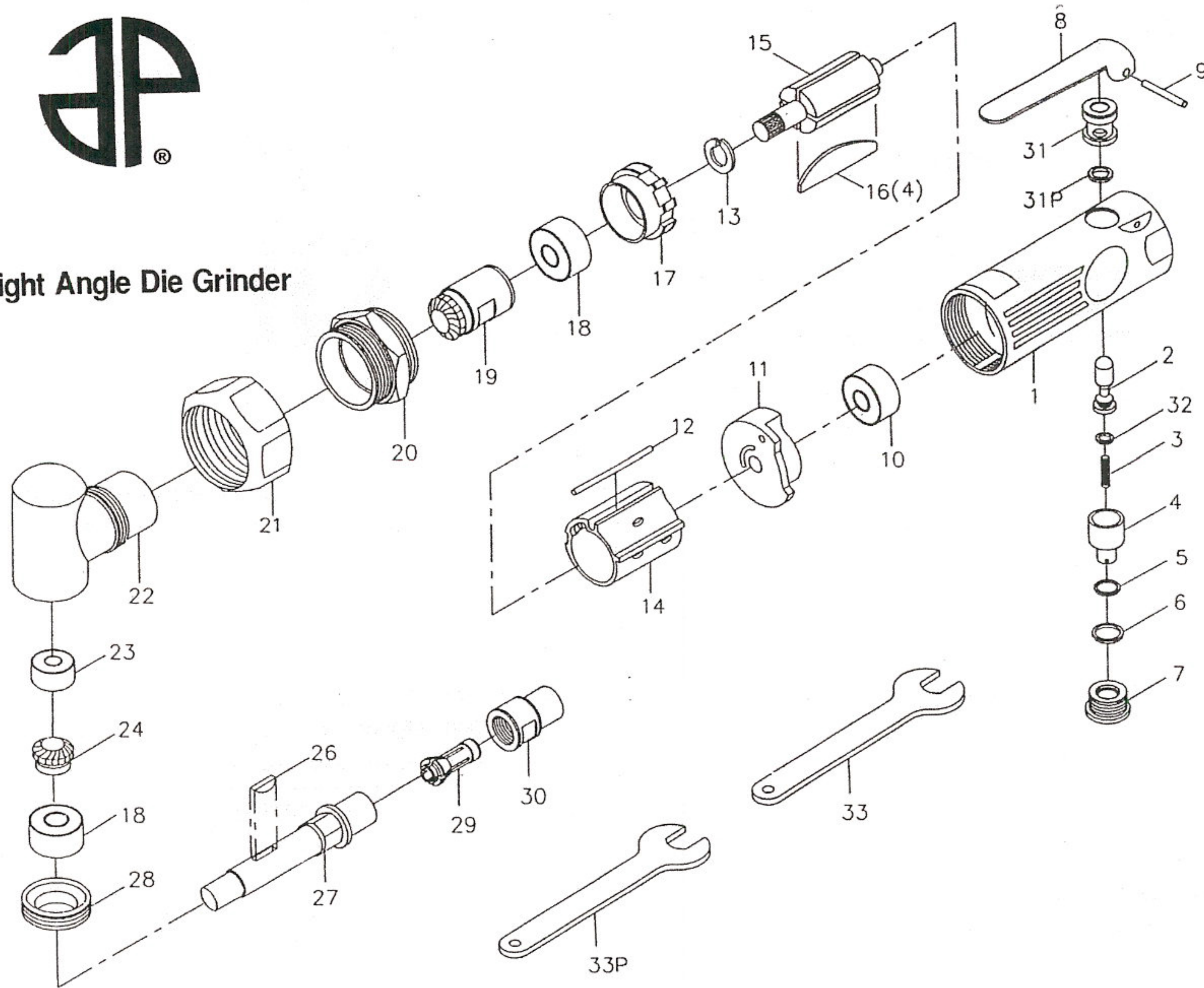




1/4 Right Angle Die Grinder



1240

T20AH

2010

1220

Index No.	Part No.	Description	No. Req.	Index No.	Part No.	Description	No. Req.
1A	1240-1	Motor Housing(For 1240.1220)	1	18	T20AH-18	Ball Bearing	2
1B	T20AH-1	Motor Housing(For T20AH.2010)	1	19	T20AH-19	Pinion	1
2	T20AH-2	Throttle Valve	1	20	T20AH-20	Cap Lock	1
3	T20AH-3	Throttle Valve Spring	1	21	T20AH-21	Threaded Cap	1
4	T20AH-4	Air Regulator	1	22	T20AH-22	Angle Head Housing	1
5	T20AH-5	Regulator O-Ring	1	23	T20AH-23	Ball Bearing	1
6	T20AH-6	Valve Screw O-Ring	1	24	T20AH-24	Spindle Gear	1
7	T20AH-7	Valve Screw	1	26	T20AH-25	Woodruff Key	1
8	T20AH-8	Safety Lever	1	27	T20AH-26	Spindle	1
9	T20AH-9	Throttle Lever Pin	1	28	T20AH-27	Clamp Nut	1
10	T20AH-10	Ball Bearing	1	29	T20AH-28	Collet 1/4"	1
11	T20AH-11	Rear End Plate	1	30	T20AH-29	Collet Nut	1
12	T20AH-12	Dowel Pin	1	31	T20AH-30	Throttle Valve Bushing	1
13	T20AH-13	Rotor Collar	1	31P	T20AH-31P	Throttle Valve O-Ring	1
14	T20AH-14	Cylinder	1	32	T20AH-32	O-Ring	1
15	T20AH-15	Rotor	1	33	T20AH-33	Spanner Wrench(L)	1
16	T20AH-16	Rotor Blade	4	33P	T20AH-33P	Spanner Wrench(S)	1
17	T20AH-17	Front End Plate	1				