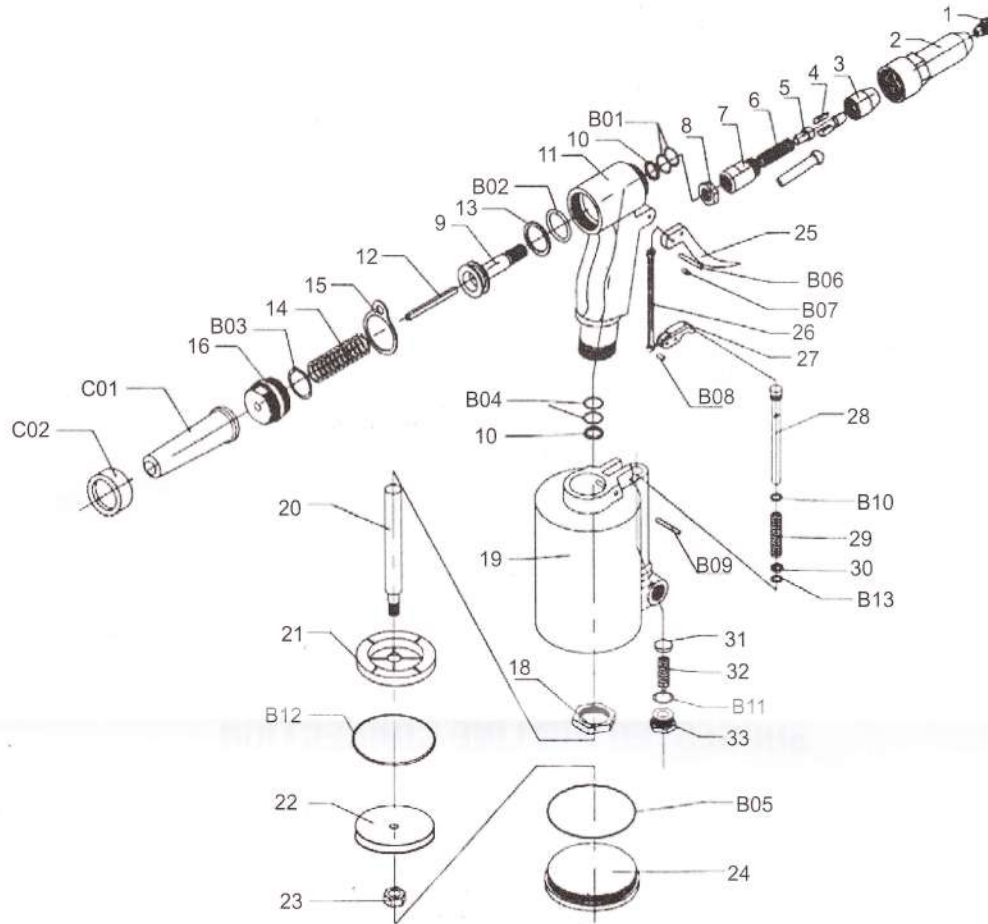


PARTS BREAKDOWN



Parts List

Index No.	Part No.	Description	No. Req'd	Index No.	Part No.	Description	No. Req'd
1	PR36-01	Nosepiece	4	26	PR36-26	Linker	1
2	PR36-02	Outer cylinder	1	27	PR36-27	Press plank	1
3	PR36-03	Jaw carrier	1	28	PR36-28	Air valve	1
4	PR36-04	Jaws	1	29	PR36-29	Valve spring	1
5	PR36-05	Jaw pusher	1	30	PR36-30	Copper wash	1
6	PR36-06	Jaw push spring	1	31	PR36-31	Airproof plastic	1
7	PR36-07	Jaw cylinder	1	32	PR36-32	Airproof spring	1
8	PR36-08	Case lock nut	1	33	PR36-33	Airproof nut	1
9	PR36-09	Principal axis	1	B01	PR36-B01	O ring	2
10	PR36-10	Plastic ring	2	B02	PR36-B02	O ring	1
11	PR36-11	Handle	1	B03	PR36-B03	O ring	1
12	PR36-12	Lead axis	1	B04	PR36-B04	O ring	2
13	PR36-13	Plastic ring	1	B05	PR36-B05	O ring	1
14	PR36-14	Restore spring	1	B06	PR36-B06	Spring pin	1
15	PR36-15	Pothook	1	B07	PR36-B07	Spring pin	1
16	PR36-16	Airproof lid	1	B08	PR36-B08	Spring pin	1
18	PR36-18	Lock nut	1	B09	PR36-B09	Spring pin	1
19	PR36-19	Air cylinder	1	B10	PR36-B10	O ring	1
20	PR36-20	Pole piston	1	B11	PR36-B11	O ring	1
21	PR36-21	Cushion	1	B12	PR36-B12	O ring	1
22	PR36-22	Piston	1	B13	PR36-B13	O ring	1
23	PR36-23	Nut	1	C01	PR36-C01	Bottle	1
24	PR36-24	Air cylinder lid	1	C02	PR36-C02	Wreath nut	1
25	PR36-25	Trigger	1				