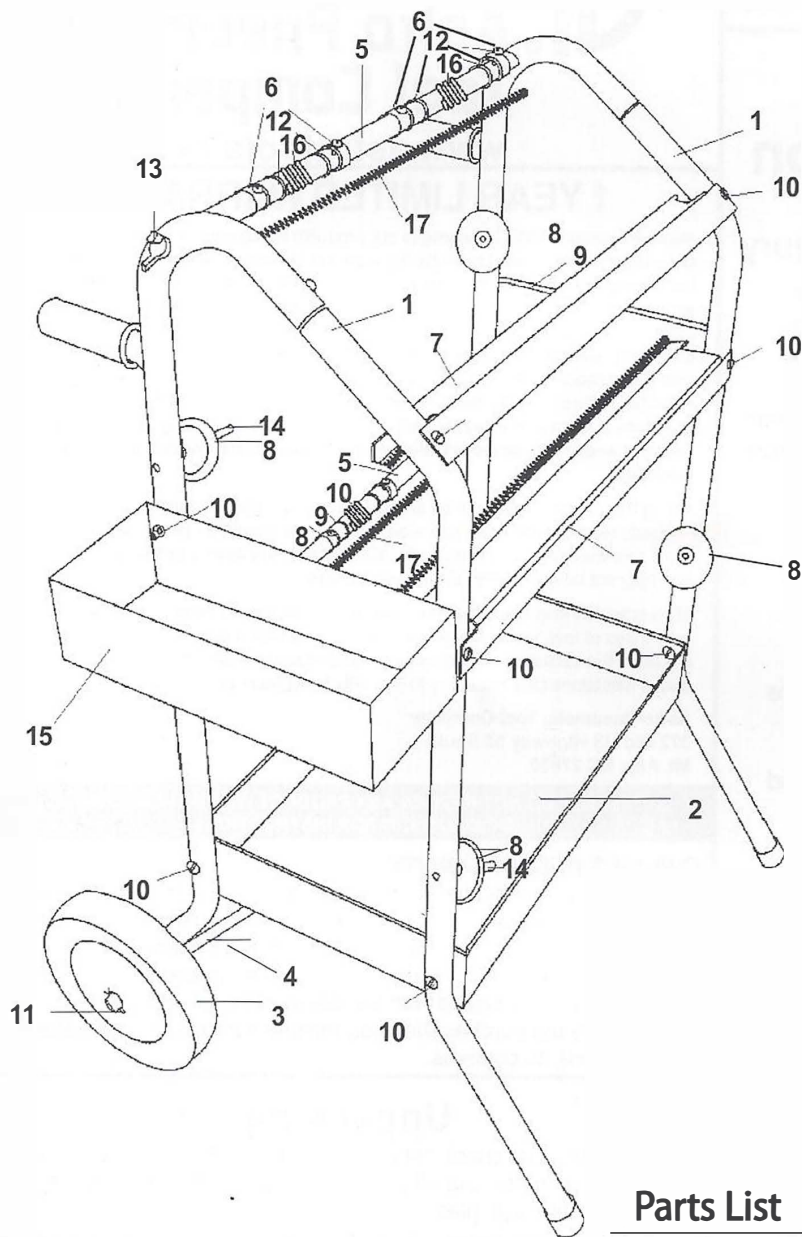


PARTS BREAKDOWN



Assembly Instructions

1. Assemble The frame (1)
2. Attach Large tool tray (2) to Frame (1) with M 6x 35 (10)
3. Place Axle (4) through the Frame (1), attach Wheels (3) to each end of the axle and secure with Cotter Pin (11)
4. Swivel the Adjusting Collar with Screw (6) onto the Paper Alignment Bars (5) with Ring (12) along with Big Spring (16) and Long Spring (17)
5. Attach the Paper Alignment Bars (5) onto the Frame (1) with M10 Wing Nuts (13)
6. Attach the Steel Cutting Blades (7) to the front of the Frame (1) with M6 x 35 (10)
7. Attach the Tape Reels (8) onto the Frame (1) with M6 x 88 (14)
8. Place Steel bar (9) for hanging paint guns onto the right side of the Frame (1)
9. Attach the Small Tool Tray (15) onto the left side of the Frame (1) with M6 x 35 (10)

Parts List

Index No.	Part No.	Description	Qty
1	MM18-B01	Frame	2
2	MM18-B02	Large Tool Tray	1
3	MM18-B03	Wheels	2
4	MM18-B04	Axle	1
5	MM18-B05	Paper Alignment Bars	2
6	MM18-B06	Adjusting Collar with Screw	8
7	MM18-B07	Steel Cutting Blades	2
8	MM18-B08	Tape Reels	4
9	MM18-B09	Steel Bar	1

Index No.	Part No.	Description	Qty
10	MM18-B10	M6 X 35	10
11	MM18-B11	Cotter Pin	4
12	MM18-B12	Ring	8
13	MM18-B13	M10 Wing Nuts	4
14	MM18-B14	M6 x 88	4
15	MM18-B15	Small Tool Tray	1
16	MM18-B16	Big Spring	8
17	MM18-B17	Long Spring	2