



Model # EUROHVT1

PAINT & BODY EQUIPMENT



WATERBORNE

Compatible with solvent & waterborne paints



## EuroPro Forged HVLP Touch Up Gun with 1.0mm Nozzle & Plastic Cup



### FEATURES:

#### DURABLE & LIGHTWEIGHT

- Forged body provides longer tool life
- Anodized body for corrosion protection
- Slick finish for faster & easier cleaning
- Internal coated passages
- Stainless steel needle and fluid tip
- Lightweight: 285 grams (0.6 Lbs)

#### HIGH EFFICIENCY

- Unique pattern designed for great coverage, optimal overlapping
- Low overspray (bounce back)
- Great transfer efficiency
- Superior atomization
- Innovative, advanced HVLP technology

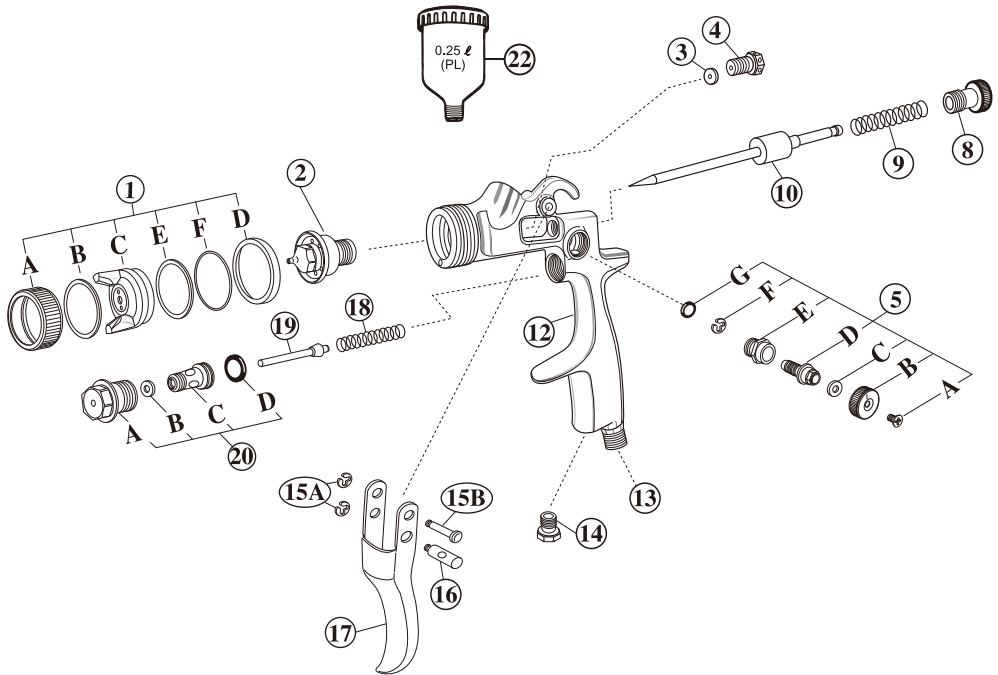
#### QUICK THREAD TECHNOLOGY

- 1.5 Turns to lock/unlock the air cap
- 3 Turns to lock/unlock the fluid nozzle
- 4 Turns to lock/unlock the fluid cup
- Wide threads for easy cleaning
- M11\*P1.5 female thread fluid joint
- Compatible with most traditional and disposable cup systems

#### SMOOTH OPERATION

- Soft trigger pull to reduce fatigue
- Precise lubricated adjustment knobs for better control
- Innovative CNC machining to avoid the need for gaskets behind the fluid tip

## PARTS BREAKDOWN



## Parts List

Index No.	Part No.	Description	Qty
1	EUROHVT1-01	Air Cap Set	1
2	EUROHVT1-02	Fluid Nozzle (1.0mm)	1
3	EUROHVT1-03	Needle Valve Packing	1
4	EUROHVT1-04	Needle Valve Packing Seat	1
5	EUROHVT1-05	Spreader Adjusting Valve Set	1
8	EUROHVT1-08	Fluid Adjusting Screw	1
9	EUROHVT1-09	Needle Valve Spring	1
10	EUROHVT1-10	Fluid Needle Set	1
11	EUROHVT1-11	0.6L Cup	1
12	EUROHVT1-12	Gun Body	1
13	EUROHVT1-13	Air Hose Joint	1
14	EUROHVT1-14	Tap	1

Index No.	Part No.	Description	Qty
15A	EUROHVT1-15A	E Ring	2
15B	EUROHVT1-15B	Trigger Pin	1
16A	EUROHVT1-16A	Fluid Actuator Pin	1
17	EUROHVT1-17	Trigger	1
18	EUROHVT1-18	Air Valve Spring	1
19	EUROHVT1-19	Air Valve	1
20	EUROHVT1-20	Air Valve Seat Set	1
20A	EUROHVT1-20A	Air Valve Seat	1
20B	EUROHVT1-20B	Air Valve Packing	1
20C	EUROHVT1-20C	Valve Body	1
20D	EUROHVT1-20D	O-Ring	1
22	EUROHVT1-22	250ml Cup	1