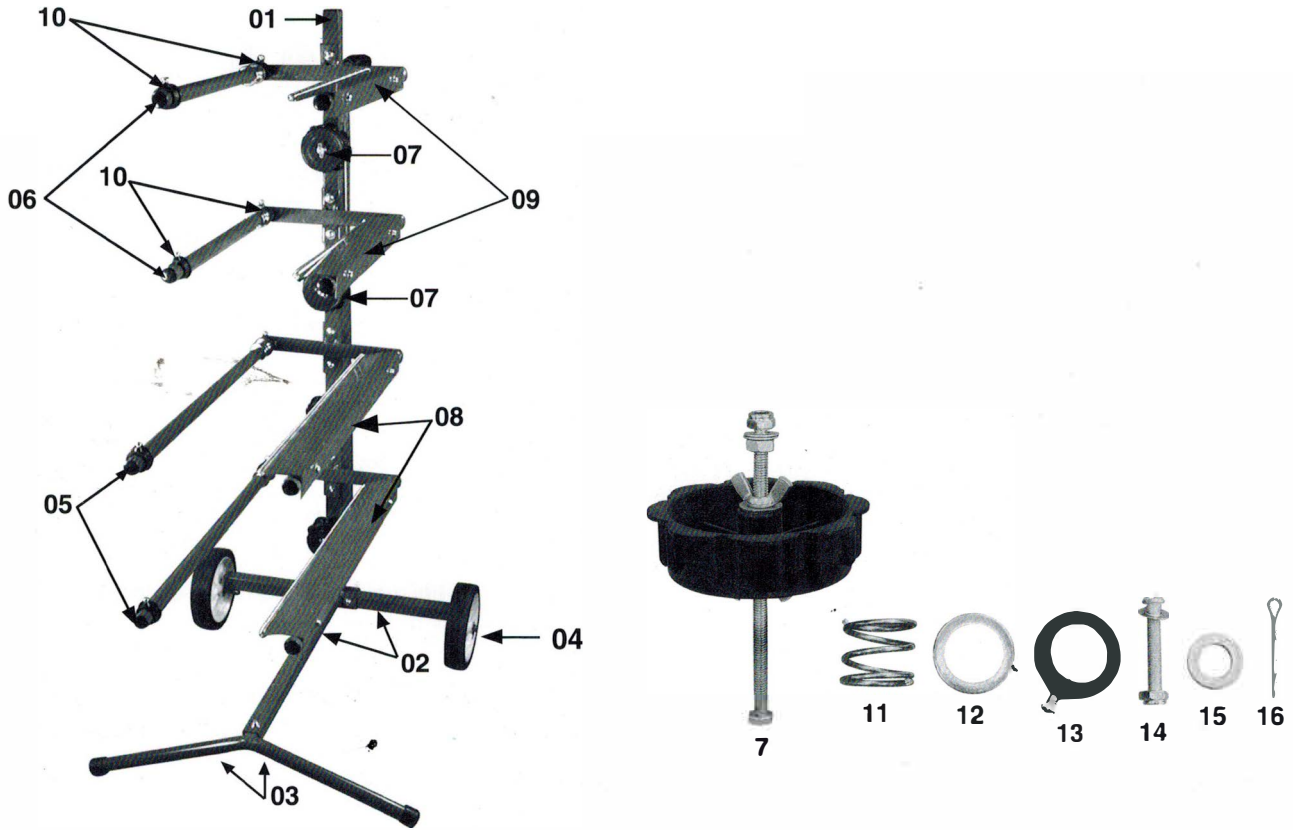


**PARTS BREAKDOWN**



**Parts List**

<b>Part No.</b>	<b>Description</b>	<b>Qty</b>
ASMS2-01	Frame	1
ASMS2-02	Main Frame (2 Pieces)	1
ASMS2-03	Leg Support	1
ASMS2-04	Wheels	2
ASMS2-05	22" Support Assembly	2
ASMS2-06	16" Support Assembly	2
ASMS2-07	Tape Reels	4
ASMS2-08	22" Cutting Blade & Springs	2
ASMS2-09	16" Cutting Blade & Springs	2
ASMS2-10	Paper Roller Assembly (PLASTIC COLLARS, SPRINGS & WASHERS)	4
ASMS2-11	Springs	8
ASMS2-12	Paper Roller Washers	8
ASMS2-13	Plastic collars	8
ASMS2-14	6 x 30 mm Screw Assemblies	21
ASMS2-15	Wheel Shaft Washers 22.75 x 13.5 mm	2
ASMS2-16	Cartter Pins for Wheel Shafts	2