

**Model # AS8S**

**PAINT & BODY EQUIPMENT**



## Spray Gun with Cup - Silver Handle

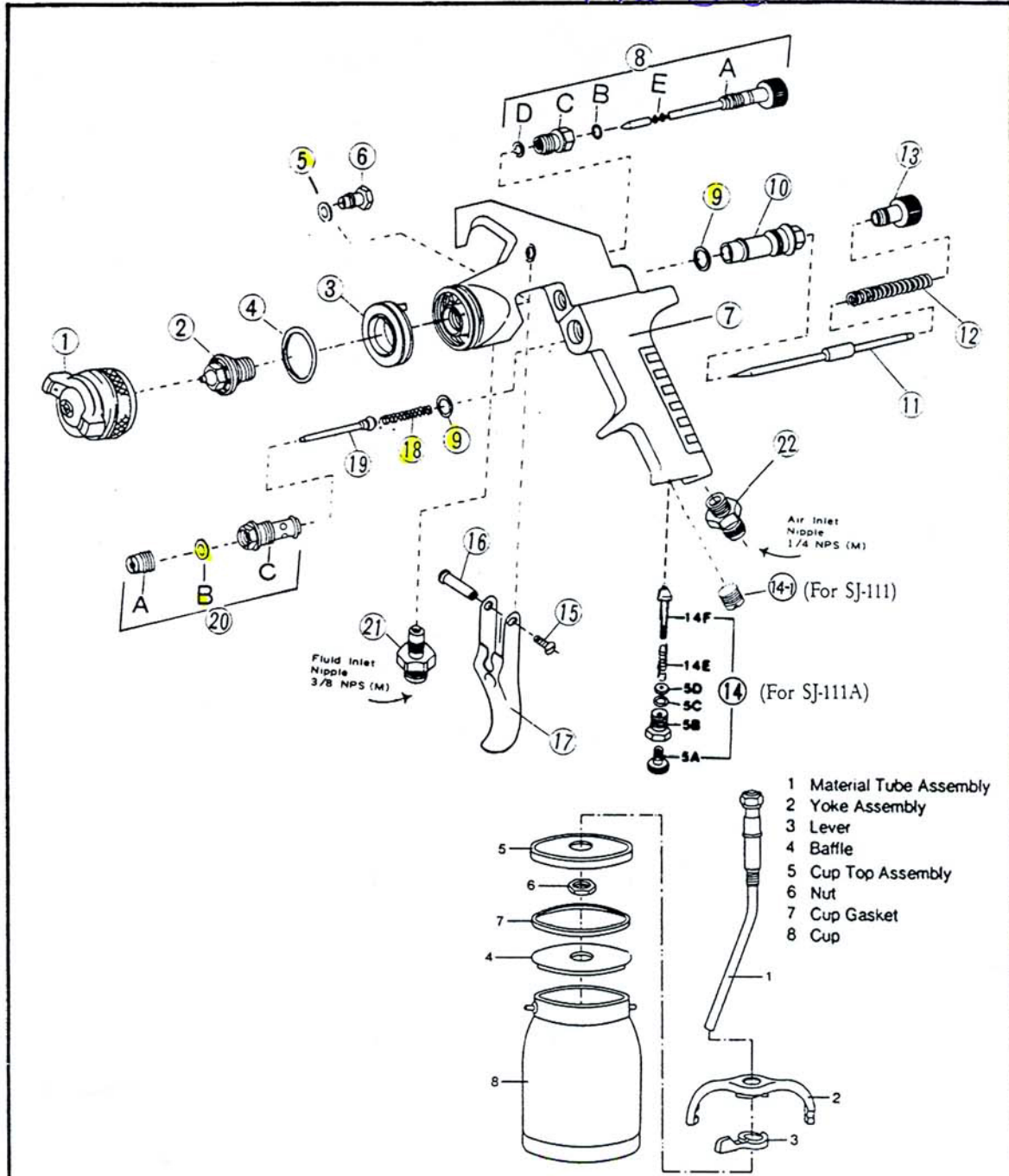


### FEATURES:

- All-purpose easy-to-clean paint spray gun
- Two-piece construction featuring exclusive air valve design
- Stainless steel needle and fluid tip
- Fully adjustable wide fan pattern control
- 1 quart (946cc) capacity dripless cup

### SPECIFICATIONS:

Nozzle Size:	1.7mm
Operation Pressure:	50-65psi
Net Weight:	3 lbs. (1.36kg)
Dimensions W x H:	6-1/2" x 12"
Avg. Air Consumption:	7-12cfm
Air Inlet Thread NPT:	1/4"
Required Compressor:	3hp
Max. Pattern at 8" Distance:	11" (280mm)
Fluid Inlet Thread NPT:	3/8"
Air Hose I.D. Size:	6-8mm



P/N	Description	Q'TY	P/N	Description	Q'TY	P/N	Description	Q'TY
1	Air Cap Set (#30/#43/#80)	1	8	Spreader Adjusting Valve Set	1	15	Screw, Trigger	1
2	Fluid Nozzle	1	9	Gasket, (Air Valve/Bushing)	2	16	Stud, Trigger	1
3	Baffle (Plastic or Brass)	1	10	Bushing	1	17	Trigger	1
4	Gasket (With Brass Baffle Only)	1	11	Fluid Needle	1	18	Spring, Air Valve	1
5	Packing (For Needle)	1	12	Spring (Needle)	1	19	Air Valve	1
5-1	Packing (For Air Valve)	2	13	Fluid Adjusting Knob	1	20	Air Valve Assembly	1
6	Air Valve Packing Seat	1	14	Air Adjusting Assembly (For SJ-111A)	1	21	Nipple (Fluid Inlet, 3/8" NPS)	1
7	Gun Body	1	14-1	Nut (For SJ-111)	1	22	Nipple (Air Inlet, 1/4" NPS)	1