

Model # AS6S

PAINT & BODY EQUIPMENT



Touch Up Gun with Cup



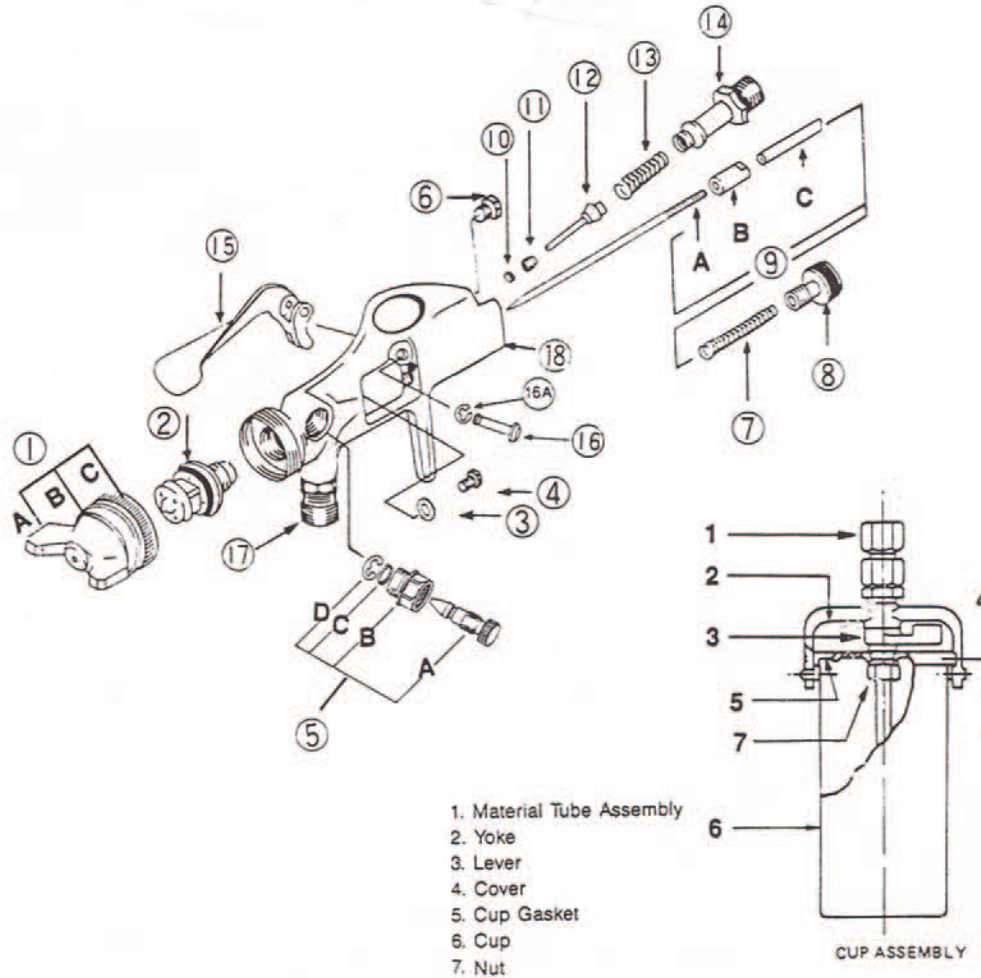
FEATURES:

- Ideal for shading and spotting
- Self-centering brass air nozzle with adjustable spray pattern
- Stainless steel needle and fluid tip
- 8 oz. (236cc) aluminum siphon cup
- Accessory: #AS6SCUP - Cup Assembly

SPECIFICATIONS:

Nozzle Size:	1.4mm
Operation Pressure:	30-50psi
Net Weight:	1lbs. (.45kg)
Dimensions W x H:	6-1/2" x 9"
Avg. Air Consumption:	4cfm
Air Inlet Thread NPT:	1/4"
Required Compressor:	1hp or above
Max. Pattern at 8" Distance:	4-3/8" (120mm)
Fluid Inlet Thread NPT:	1/4"
Air Hose I.D. Size:	6-8mm

TOUCH UP GUN



PARTS LIST

Part No.	Description	Q'ty	Part No.	Description	Q'ty
1.	Air Cap Set	1	10.	Packing	1
2.	Fluid Tip	1	11.	Valve Nut	1
3.	Needle Valve Packing	1	12.	Stem	1
4.	Needle Valve Packing Seat	1	13.	Spring	1
5.	Spreader Adjusting Valve Set	1	14.	Connection	1
6.	Cap	1	15.	Trigger	1
7.	Spring	1	16.	Trigger Bearing Strud	1
8.	Screw	1	16A.	Trigger Stopper	1
9.	Needle Assem	1	17.	Fluid Connector	1
			18.	Gun Body	1