



MODEL:

**ADG100**

PRODUCT TYPE:

**GREASE GUN DRILL ADAPTER****WARNING**

Study, understand and follow all instructions provided with this product. Read these instructions carefully before installing, operating, servicing or repairing this tool. Keep these instructions in a safe accessible place.

**Astro Pneumatic  
Tool Company****INTENDED USE OF THE TOOL**

This tool is designed to be used with corded, cordless or air screw drivers, drills and impact drivers for the purpose of dispensing and packing grease only. Do not use this tool outside of the designed intent. Never modify the tool for any other purpose or use.

**WARNING****Caution: To help prevent personal injury**

- Normal use of this product is likely to expose the user to dust and/or microscopic particles containing chemicals known to the State of California to cause cancer, birth defects or other reproductive harm. Always wear appropriate safety equipment and clothing when using this product. Study, understand and follow all instructions provided with this product. Failure to read and follow all warnings and operating instructions may result in damages and serious injury or death.
- Always wear ANSI approved goggles when using this product. (Users and By standers).
- Never use this tool for any application other than for which it was designed.
- Only use accessories designed for this tool.
- Never alter or modify this tool in any way.
- Improper operation and/or maintenance of the tool, modification of the tool, or use of the tool with accessories not designed for it could result in serious injury or death.
- Always select the correct accessories of the correct size and design for the job that you are attempting to perform.
- Always work in a clean, safe, well-lit, organized and adequately equipped area.
- Do not begin repairs without assurance that vehicle is in secure position, and will not move during repair.

**Before Use**

When unpacking, check the parts diagram and part number listing on page 7 to make sure all parts are included. If any parts are missing or damaged, please call your distributor.

**PRODUCT INFORMATION:**

- Easily convert cordless drills and impact drivers into cordless power grease guns
- 1/4" hex drive with adjustable bracket to fit nearly all cordless, corded and air drivers
- Works with standard 14-14.5 oz. grease tubes, or bulk fill
- 4,000psi working pressure, 8,000psi max pressure
- Includes 18" nylon hose w/ locking coupler

**GREASE GUN  
DRILL ADAPTER**

MADE IN CHINA

**DO NOT DISCARD – GIVE TO USER**



MODEL:

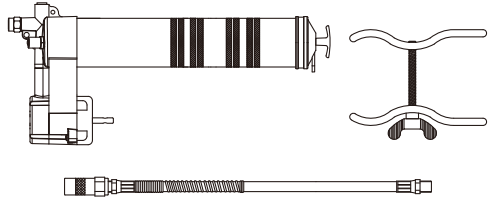
# ADG100

PRODUCT TYPE:

## GREASE GUN DRILL ADAPTER

### I. SPECIFICATIONS OF UNIVERSAL POWER COUPLING-GREASER

- Working Pressure: 4,000 psi
- Max Pressure: 8,000 psi (9,000 psi safety vent)
- Capacity: 14-14.5 oz.
- 3-Way Loading: Cartridge / Dispenser / Bulk
- What's included: (Power tool is not included.)
  - Grease Gun Adapter
  - 18" Nylon Hose w/ Locking Coupler
  - Adjustable Holder



#### WARNING



- Do not exceed recommended pressure during operation to avoid serious injury or facilities damage.
- Read your power tool's safety instruction manual carefully before using this universal grease adapter.

### II. CATEGORIES OF COMPATIBLE POWER TOOLS & SAFETY INSTRUCTIONS FOR USE



**Cordless Drill Driver**  
(Keyless Chuck type)  
3/8" (9.5mm)  
1/2" (13mm)



**Impact Driver**  
(Hex. Drive shank chuck)  
1/4" (6.35mm)



**Impact Wrench**  
(Square Drive)  
3/8" (9.5mm),  
1/2" (13mm)  
(adaptor needed,  
not included)



**Corded Drill**  
(Key chuck type)  
3/8" (9.5 mm)  
1/2" (13mm)



**Air Drill**  
(Key chuck type)  
3/8" (9.5mm)  
1/2" (13mm)



**Holder**  
Adjusts from 1.5-3"  
to fit all of the above  
power tools



#### WARNING



- Read all safety warnings and instructions. Failure to follow the warnings and instructions may result in electric shock, fire and/or serious injury.
- Save all warnings and instructions for future reference. The term "power tool" in the warnings refers to your mains-operated(corded) power tool or battery-operated(cordless) power tool or air power tool.



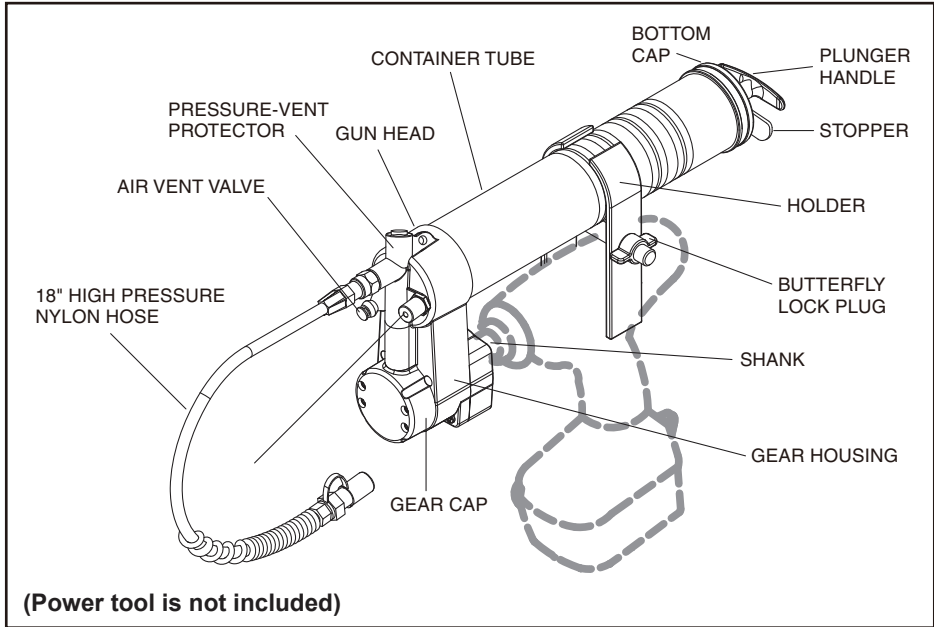
MODEL:

# ADG100

PRODUCT TYPE:

## GREASE GUN DRILL ADAPTER

### III. INSTRUCTIONS



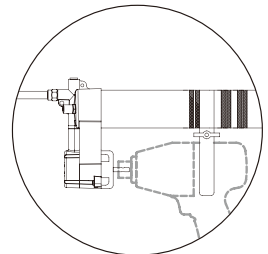
### IV. FUNCTIONAL DESCRIPTION

**NOTE:**

- The information contained in this Instruction Manual is designed to assist you in the safe operation and maintenance of the power tool.
- Never operate, or attempt any maintenance on the tool unless you have first read and understand all safety instructions contained in your power tool's manual.
- Some illustrations in this Instruction Manual may show details or attachments that differ from those on your own power tool.

### V. HOW TO ASSEMBLE

1. Load grease cartridge or pack container tube before use. (See instructions on Page 5)
2. Remove any bits, parts or attachment currently in your power tool's chuck.
3. Unscrew the chuck. Join and couple your power tool to the shank of the grease gun adapter via the chuck properly (around 1/4-5/16" from gear housing). Tighten chuck securely.
4. Unscrew the butterfly lock plug to allow proper room for the container tube and your power Tool. Install the holder in the space between container tube and power tool.
5. Adjust the holder to proper position. (available inner width for power tool is 1.5" to 3"). Tighten the butterfly lock plug securely.
6. Install the 18" nylon hose to the gun head and tighten with a wrench securely.





MODEL:

# ADG100

PRODUCT TYPE:

## GREASE GUN DRILL ADAPTER

### VI. OPERATION

1. Set your power tool to "FORWARD" mode, "reverse" mode is not recommended.
2. Evacuate air pocket from container tube if necessary. (See instructions on Page 6)
3. Insert the end of the grease coupler at the end of the hose onto your intended grease fitting. Ensure that the coupler's adjustable jaws are at the tightness you require.
4. Depress the trigger on your power tool to start work.  
Switch operation:  
When the trigger switch is depressed, the tool rotates.  
When the trigger switch is released, the tool stops.
5. The end of operation  
Take off the battery pack or air source in advance to avoid accidents.



### WARNING



**Do not exceed recommended pressure when operating to avoid serious injury or mechanical damage.**

**Read your power tool's safety instruction manual carefully before using this universal coupling-greaser.**

**\* CAUTION:**

- **To reduce the risk of injury, keep hands and away from the outlet and all moving parts.**
- **Release the trigger when grease filling is full. If switched repeatedly, it could cause the Motor to overheat, resulting in mechanical damage or injury.**

**\* NOTE: A buzzing noise is produced when the motor is about to operate on brushed motor power tools, this noise is normal.**

### VII. SAFETY INSTRUCTION

- Although the products described in this catalogue have been designed and manufactured to the highest standard of quality and safety, they are powerful devices capable of producing high pressure. Misuse or misapplication of this equipment can cause component rupture, fire or explosion and result in serious bodily injury, including fluid injection or splashing in the eyes or on the skin. Seek medical attention immediately if such injuries occur. The attending doctor will need to know the exact nature of the fluids injected into the victim before treatment can begin.
- Any pressurized system is only as strong as its weakest component. Never exceed the maximum working pressure of the lowest-rated component in the system. Check and tighten all connections, fitting and hoses regularly. A worn or damaged hose can rupture, harming both people and property.
- Do not hold nylon hose while pumping the grease gun.
- Regular product inspection and maintenance, coupled with responsible operation, are required for continued safe operation of these products.
- Always wear safety glasses or eye shields when operation power tools.



MODEL:

# ADG100

PRODUCT TYPE:

## GREASE GUN DRILL ADAPTER

### VIII. INSTRUCTIONS FOR 3 DIFFERENT LOADING METHODS OF GREASE GUN

#### ⚠ RECOMMENDATION:

1. If loading grease by cartridge, note that the Rubber Plunger may change shape over time due to prolonged squeezing of grease cartridge. Inspect during changes.
2. A misshaped rubber plunger may then cause a small amount of leak-by at the stopper and plunger handle when switching to Dispenser or Bulk loading grease.
3. Thus it is recommended to pick a method of grease loading and stick to this method in the future for best results.

#### **FOLLOW THESE STEPS CAREFULLY BEFORE USING THIS GUN**

##### CARTRIDGE LOADING

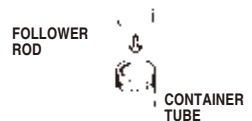
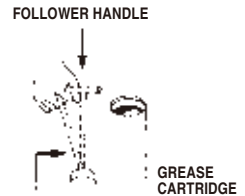
1. Remove gun head from container tube.
2. To remove an empty cartridge, pull back on the follower handle until the follower rod is fully extended. Then, release the stopper lock and allow the follower handle to lower the empty cartridge from the container tube. Pull back on the follower handle. When the follower rod is fully extended, the stopper should hold the rod extended.
3. Remove the caps from both ends of the new grease cartridge and insert the open cardboard end of the cartridge into the container tube with the metal rimmed end out.
4. Loosely assemble the gun head and the container tube. Release the stopper lock and allow the follower handle to go free.
5. Unscrew the container tube 1-2 turns from the gun head and push down on the follower handle until grease oozes from the outlet of the gun head. Tighten container tube into the gun head securely.

⚠ • Please make sure that the end of the grease cartridge that has been inserted into the container tube is not damaged, had its cardboard rim folded and remains in an exact round shape. Otherwise the plunger rubber will be prevented from entering into the grease cartridge and grease cannot be forced out. If this case happens correct the above errors. Grease can be pumped out only if the above errors have been corrected.

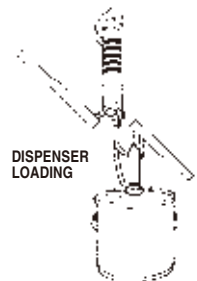
- Do not re-use the empty grease cartridge again after using it.
- Application of some grease on the plunger rubber will make it easier to enter into the grease cartridge.

##### DISPENSER LOADING

1. Remove slotted plug from head assembly and insert the proper loader fitting that adapts to pump being used.
  2. Extend level out on the grease gun and insert the loader fitting into pump adapter and fill.
- NOTE : Always remove used cartridge from gun when bulk filling.



CARTRIDGE LOADING





MODEL:

# ADG100

PRODUCT TYPE:

## GREASE GUN DRILL ADAPTER

### **BULK LOADING**

#### **FILL WITH SCOOP OR WOODEN TOOL**

1. Remove the gun head from the container tube.
2. Draw back the plunger handle entirely. Fill loose grease into empty container tube.
3. Reassemble the gun head onto the container tube. Release the plunger rod.  
Push down the plunger handle.



#### **IMPORTANT**

- If gun loses its prime, it is due to air pockets in the lubricant.

#### **TO REPRIME:**

- Unscrew container tube 1-2 turns. Withdraw rod, push rod into container tube to expel the air pockets.
- Draw back plunger rod fully and release quickly. Repeat several times. This will help exert force to move the rubber plunger to enter the cartridge and expel the air pockets which is essential for a grease gun to work.
- Push plunger rod all the way in, tighten the head to the container tube.
- Now your grease gun is ready to use.

### **IX. TROUBLE SHOOTING**

<b>Problem</b>	<b>Problem Cause</b>	<b>Recommendation</b>
Tool runs normal but does not output grease	Air pocket inside container tube	<ul style="list-style-type: none"><li>• Take off hose from Gun Head.</li><li>• Unscrew container tube 1-2 turns from Gun Head.</li><li>• Withdraw plunger rod, push plunger rod into container tube to help expel the air pockets.</li><li>• Draw back plunger rod fully and release quickly.</li><li>• Operate power tool to check flow of grease.</li><li>• Repeat above steps if necessary.</li><li>• Re-tighten container tube to gun head firmly.</li><li>• Re-screw hose securely.</li><li>• Grease gun is ready for use.</li></ul>
Plunger does not enter the grease cartridge	Size of cartridge not standard  The end edge of cartridge is rough or irregular	<ul style="list-style-type: none"><li>• Check the size of cartridge corresponds to specifications.</li><li>• Grease the plunger or cartridge end to help it enter cartridge.</li><li>• Always use standard size of cartridge.</li><li>• Check that the end edge of cartridge should not be damaged or folded and remains in exact round shape. Otherwise the plunger rubber will be prevented from entering the grease cartridge. If this case happened, correct above errors.</li><li>• Do not re-use the empty grease cartridge.</li><li>• Remove used cartridge from container tube when bulk loading.</li></ul>
Leakage from outlet of gun head	Hose is not tightened securely	<ul style="list-style-type: none"><li>• The thread size is tapered, this means if the hose is not tightened enough it will not seal. Tighten with wrench.</li></ul>



**Astro Pneumatic  
Tool Company**  
372 Old US Highway 52 South  
Mount Airy, NC 27030

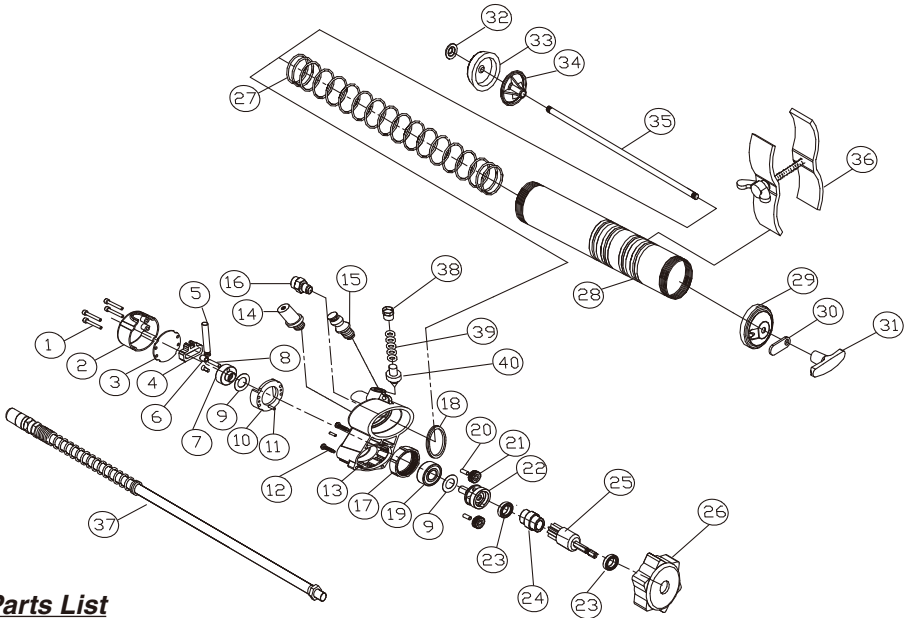
MODEL:

**ADG100**

PRODUCT TYPE:

**GREASE GUN DRILL ADAPTER**

**PARTS BREAKDOWN:**



**Parts List**

Index	Part No.	Description	Qty	Index	Part No.	Description	Qty
1	ADG100-01	Screw	4	21	ADG100-21	Small Gear	2
2	ADG100-02	Gear Cap	1	22	ADG100-22	Control Axle	1
3	ADG100-03	Cap Plate	1	23	ADG100-23	Axle Bearing	2
4	ADG100-04	Piston Controller	1	24	ADG100-24	Bearing Divider	1
5	ADG100-05	Piston	1	25	ADG100-25	Jointer	1
6	ADG100-06	Axle Guide	1	26	ADG100-26	Protect Cover	1
7	ADG100-07	Roller	1	27	ADG100-27	Long Spring Kit	1
8	ADG100-18	Roller Pin	1	28	ADG100-28	Container Tube	1
9	ADG100-09	Washer	2	29	ADG100-29	Bottom Cap	1
10	ADG100-10	Controller Body	1	30	ADG100-30	Catch Plate	1
11	ADG100-11	Body Pin	2	31	ADG100-31	Plunger Handle	1
12	ADG100-12	Screw	4	32	ADG100-32	Plunger Washer	1
13	ADG100-13	Gun Holder	1	33	ADG100-33	Plunger	2
14	ADG100-14	Filler Plug	1	34	ADG100-34	Backlash Gasket	1
15	ADG100-15	Air Vent Valve	1	35	ADG100-35	Plunger Rod	1
16	ADG100-16	Adapter	1	36	ADG100-36	Holder	1
17	ADG100-17	Gear Holder	1	37	ADG100-37	18" High Pressure Nylon Hose	1
18	ADG100-18	Gasket	1	38	ADG100-38	Round Plunge	1
19	ADG100-19	Roller Bearing	1	39	ADG100-39	Vent Spring	1
20	ADG100-20	Gear Pin	2	40	ADG100-40	Pressure Vent	1