



Model:

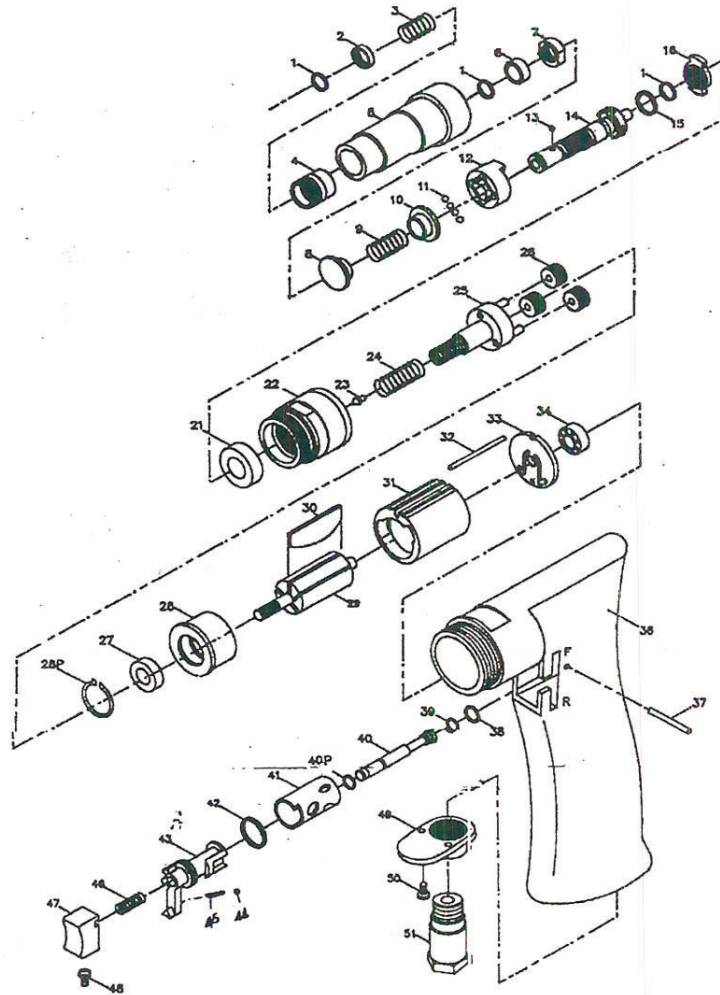
810T

Product Type:

1/4" PISTOL GRIP SCREWDRIVER

page 2

1/4" Clutch Internal Adjustable Screw Driver



| Part No. | Description | No. Req'd | Part No. | Description | No. Req'd |
|-----------|-----------------|-----------|------------|------------------------|-----------|
| 810T - 01 | Retaining Ring | 3 | 810T - 28P | Retaining Ring | 1 |
| 810T - 02 | Washer | 1 | 810T - 29 | Rotor | 1 |
| 810T - 03 | Spring | 1 | 810T - 30 | Rotor Blade | 5 |
| 810T - 04 | Ball Releaser | 1 | 810T - 31 | Cylinder(P.M.)/(Steel) | 1 |
| 810T - 05 | Clutch Housing | 1 | 810T - 32 | Motor Pin | 1 |
| 810T - 06 | Sleeve Bearing | 1 | 810T - 33 | Rear End Plate | 1 |
| 810T - 07 | Adjusting Nut | 1 | 810T - 34 | Ball Bearing | 1 |
| 810T - 08 | Washer | 1 | 810T - 36 | Motor Housing | 1 |
| 810T - 09 | Spring | 1 | 810T - 37 | Pin | 1 |
| 810T - 10 | Ball Seat | 1 | 810T - 38 | O-Ring | 1 |
| 810T - 11 | Steel Ball | 4 | 810T - 39 | O-Ring | 1 |
| 810T - 12 | Clutch Carrier | 1 | 810T - 40 | Throttle Valve | 1 |
| 810T - 13 | Steel Ball | 1 | 810T - 40P | O-Ring | 1 |
| 810T - 14 | Cam Spindle | 1 | 810T - 41 | Reverse Valve Bushing | 1 |
| 810T - 15 | Retaining Ring | 1 | 810T - 42 | O-Ring | 1 |
| 810T - 16 | Drive Dog | 1 | 810T - 43 | Reverse Valve | 1 |
| 810T - 21 | Ball Bearing | 1 | 810T - 44 | Steel Ball | 1 |
| 810T - 22 | Gear Housing | 1 | 810T - 45 | Detent Rubber | 1 |
| 810T - 23 | Spring Guide | 1 | 810T - 46 | Spring | 1 |
| 810T - 24 | Spring | 1 | 810T - 47 | Trigger | 1 |
| 810T - 25 | Carrier | 1 | 810T - 48 | Screw | 1 |
| 810T - 26 | Planet Gear | 3 | 810T - 49 | Exhaust Deffuser | 1 |
| 810T - 27 | Ball Bearing | 1 | 810T - 50 | Screw | 2 |
| 810T - 28 | Front End Plate | 1 | 810T - 51 | Inlet Bushing | 1 |