

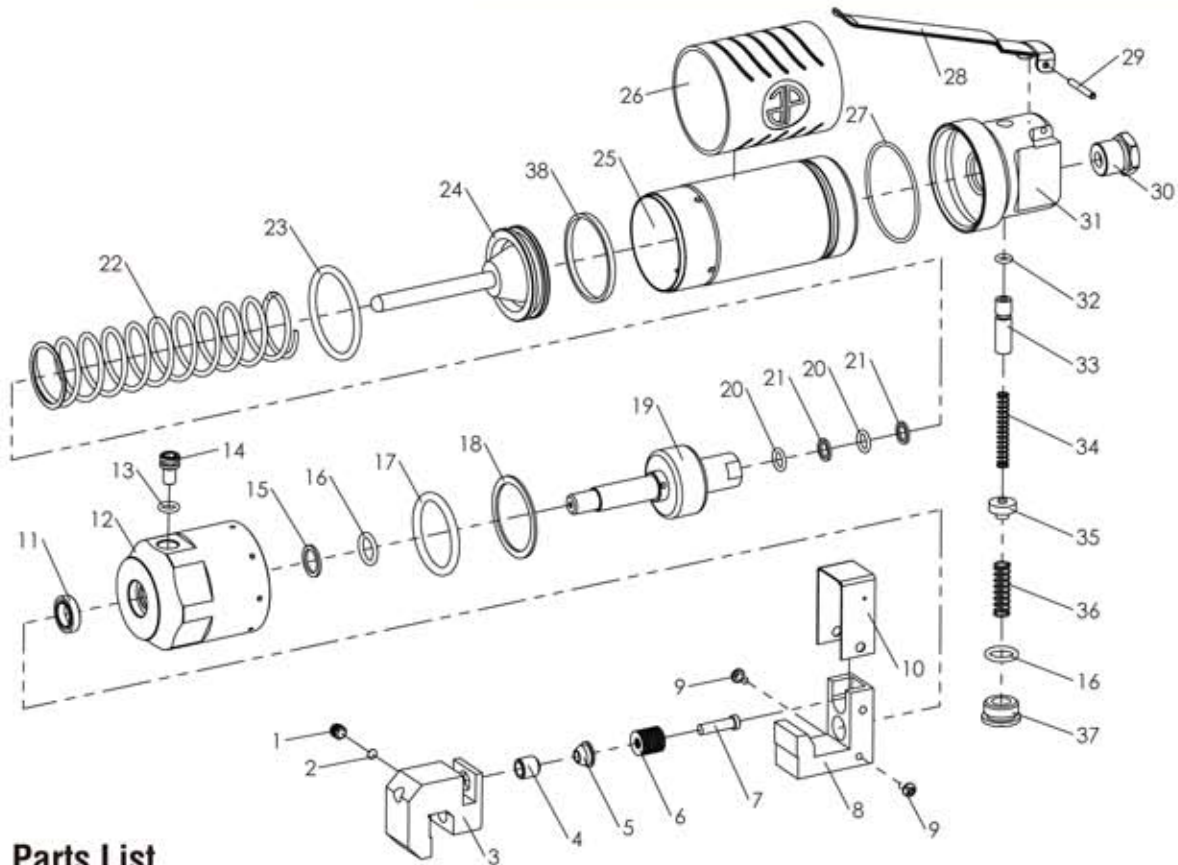


**Astro Pneumatic  
Tool Company**

Model:  
**605ST (5.5mm)**  
**608ST (8mm)**

Product Type:  
**STRAIGHT TYPE PUNCH/  
FLANGE TOOL**

## PARTS BREAKDOWN



### Parts List

Index No.	Part No.	Description	Qty
1	605ST-01	Set Screw (M6x6)	1
2	605ST-02	Plug	1
3	605ST-03	Clamp (605ST)	1
	608ST-03	Clamp (608ST)	1
4	605ST-04	Punch Die (605ST)	1
	608ST-04	Punch Die (608ST)	1
5	605ST-05	Guide Bushing (605ST)	1
	608ST-05	Guide Bushing (608ST)	1
6	605ST-06	Cup Spring (605ST)	13
	608ST-06	Cup Spring (608ST)	13
7	605ST-07	Punch (605ST)	1
	608ST-07	Punch (608ST)	1
8	605ST-08	Anvil (605ST)	1
	608ST-08	Anvil (608ST)	1
9	605ST-09	Screw (M4x6)	2
10	605ST-10	Cover Plate (605ST)	1
	608ST-10	Cover Plate (608ST)	1
11	605ST-11	Oil Seal	1
12	605ST-12	Hydr Cylinder	1
13	605ST-13	O-Ring (ID6.8x1.9)	1
14	605ST-14	Screw	1
15	605ST-15	Support Ring	1
16	605ST-16	O-Ring (ID11.8x2.4)	2
17	605ST-17	O-Ring	1

Index No.	Part No.	Description	Qty
18	605ST-18	Support Ring	1
19	605ST-19	Piston	1
20	605ST-20	O-Ring (ID7.8x1.9)	2
21	605ST-21	Support Ring	2
22	605ST-22	Spring	1
23	605ST-23	O-Ring	1
24	605ST-24	High Press Piston	1
25	605ST-25	Air Cylinder	1
26	605ST-26	Rubber Grip	1
27	605ST-27	O-Ring (ID47.35x1.78)	1
28	605ST-28	Lever	1
29	605ST-29	Spring Pin ( $\varnothing$ 3x23)	1
30	605ST-30	Air Inlet	1
31	605ST-31	Valve Body	1
32	605ST-32	O-Ring (ID4.8x1.9)	1
33	605ST-33	Push Rod	1
34	605ST-34	Spring	1
35	605ST-35	Valve	1
36	605ST-36	Spring	1
37	605ST-37	Screw	1
38	605ST-38	Rubber Band	1
	605ST-HA	Parts 1 thru 10	1
39	608ST-HA	Parts 1 thru 10	1

Discover other air cutting tools on our website.