



Model:
50SLMAX

Product Type:
**SUNLIGHT 500 LUMEN RECHARGEABLE HANDHELD
DUAL TEMPERATURE COLOR MATCH LIGHT**



WARNING



Study, understand and follow all instructions provided with this product. Read these instructions carefully before installing, operating, servicing or repairing this tool. Keep these instructions in a safe accessible place.

INTENDED USE OF THE TOOL

This color match light is designed for collision repair, detailing, paint correction and paint booths. Do not use this tool outside of the designed intent. Never modify the tool for any other purpose or use.



WARNING



Caution: To help prevent personal injury

- Use of this product can expose you to chemicals including ethylene glycol, gasoline vapors and engine exhaust, which are known to the State of California to cause cancer, birth defects, or reproductive harm. Always wear ANSI approved safety equipment, safety glasses and clothing when using this product. Study, understand, and follow all instructions provided with this product. Failure to read and follow all warnings and operating instructions may result in damages and serious injury or death.
- Always wear ANSI approved goggles when using this product. (Users and Bystanders).
- Never use this tool for any application other than for which it was designed.
- Only use accessories designed for this tool.
- Never alter or modify this tool in any way.
- Improper operation and/or maintenance of the tool, modification of the tool, or use of the tool with accessories not designed for it could result in serious injury or death.
- Always select the correct accessories of the correct size and design for the job that you are attempting to perform.
- Always work in a clean, safe, well-lit, organized and adequately equipped area.
- Do not begin repairs without assurance that vehicle is in secure position, and will not move during repair.



**Astro Pneumatic
Tool Company**



PLEASE DO NOT RETURN ANY PRODUCT WITHOUT CALLING



Before Use

Before use, check the parts diagram and part number listing on page 2 to make sure all parts are included. If any parts are missing or damaged, please call your distributor.

SUNLIGHT 500 LUMEN RECHARGEABLE HANDHELD DUAL TEMPERATURE COLOR MATCH LIGHT



MADE IN CHINA

PRODUCT INFORMATION:

- Dual color temperatures, quickly switch from warm to cool ultra-high quality color matching light
- Impact resistant, IP65 water and dust proof, and easily removable and cleanable lens
- Collapsible 360-degree rotating hook and 180 degree folding magnetic base

SPECIFICATIONS:

Color Temperature : 4500K/6000K
 Water Proof : IP65
 Light Output : 250/500 Lumens
 Battery Life : 2~4 hrs
 Charge time : 4 hrs
 Li-ion Rechargeable : 3.7V/2600 mAh
 Weight : 0.675 lbs
 Dimensions : 2.25"x1.4"x7.4"
 Temperature : -10°C to +40°C

DO NOT DISCARD – GIVE TO USER



Model: **50SLMAX**

Product Type:
**SUNLIGHT 500 LUMEN RECHARGEABLE HANDHELD
DUAL TEMPERATURE COLOR MATCH LIGHT**



WARNING



A light not marked for outdoor use is to be used for indoors only. Risk of electrical shock. Not for use near gas, combustible or explosive materials. Misuse can lead to FIRE or DEATH by electrical shock. Please read carefully and follow all directions before using.

- Keep children away.
- Don't use in or around tubs, showers, sinks, pools, hot tubs, or in a wet environment.
- Don't operate light with wet hands.
- Don't use near open flames or hot objects.
- Fully insert plug into power source (100 - 240 V).
- Grasp plug, not cord, to remove from outlet.
- Don't use a damaged cord set.
- Inspect light periodically.
- Don't disassemble, repair or modify the light.
- Don't look directly into the light beam, because it may blind.

USING INSTRUCTIONS

The ON/OFF switch is located on the back of the handle :

- Press 1x high light mode (500 Lumen)
(after 5 minutes automatically switch to low light mode)
- Press 2x low light mode (250 Lumen)
- Press 3x off
- Hold down for 2 seconds to switch between 6000K and 4500K color temperatures.

CHARGING PROCESS

- Before first use, the lamp should be fully charged. The lamp should also be fully charged before being stored for a long period of time.
- To charge the lamp, put the lamp into charging base and insert the USB cable connection with AC / DC power supply. Then connect the AC / DC power supply to main socket.
- The battery should only be charged with the charger supplied by the manufacturer. To avoid damage, please do not use another chargers. When not in use, the charging cable must be unplugged from the outlet. Keep the lamp in a dry place away from direct sunlight. The lamp must be protected against high humidity and water.
- Charging indication via coloured LEDs:
 - Battery is charging: The blue LED indicators blink
 - Battery is fully charged: The five LED indicators turn full blue

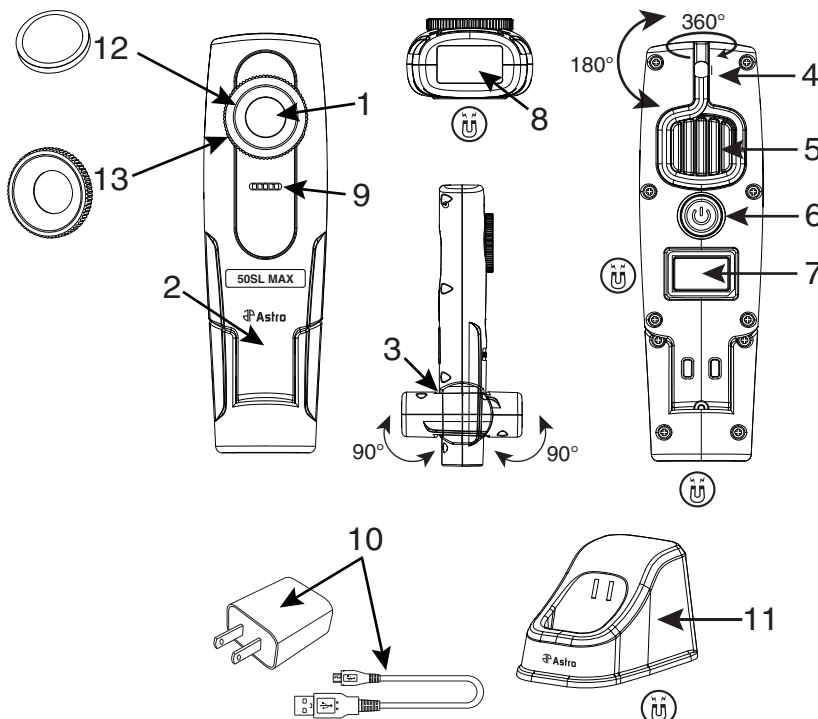


Waste electrical products should not be disposed of together with household waste. Please recycle where facilities exist.

Check with your local authority or retailer for recycling advice.

- The battery can not be replaced
- The battery must be removed from the appliance before it is scrapped
- The appliance must be disconnected from the supply mains when removing the battery
- The battery is to be disposed of safely

PARTS BREAKDOWN



Parts List

Index	Part No.	Description	Qty
01	50SLMAX-01	Double Color COB LED	1
02	50SLMAX-02	Plastic housing	1
03	50SLMAX-03	180° rotatable, lockable lamp handle for a flexible light alignment	1
04	50SL-04	360° rotatable and foldable hook	1
05	50SL-05	Metal heat sink	1
06	50SL-06	On and Off switch	1
07	50SL-07	Magnet on the rear of the housing	1
08	50SL-08	Magnet on base	1
09	50SL-09	Charging / battery indicator	1
10	50SL-10	USB cable with AC / DC mains power supply (100 V-240 V)	1
11	50SL-11	Charging base	1
12	50SL-12	Lens	1
13	50SL-13	Metal lamp reflector	1