

PERFECT FOR

- DETAILING**
- PAINT CORRECTION**
- COLLISION REPAIR**
- PAINT BOOTHS**

WHAT IS CRI?

A Color Rendering Index (CRI) is a numerical measure of the ability of a light source to reveal the colors of various objects faithfully in comparison with an ideal or natural light source.

- The majority of LED work lights have a CRI between 75-85.
- The color temperature of natural daylight can change (morning, noon, evening), but the CRI is always 100.

MODEL NO. **50SL SUNLIGHT 400 LUMEN RECHARGEABLE HANDHELD COLOR MATCH LIGHT - CRI 97**

- Highest color match rating (CRI 97) of any LED light on the market
- Spots color differences and paint imperfections like only a high CRI color match light can
- Easily removable and cleanable lens
- Collapsible hook 360 degree rotating hook
- 180 degree folding magnetic base
- Impact resistant

SPECIFICATIONS			
LED Max Power	5 Watts	Color Temperature	4100K
Water Proof	IP65	Light Output	400 Lumens
Battery Life	3~4 hrs	Charge time	4 hrs
Li-Ion Rechargeable Battery	3.7V/2600 mAh		



MODEL NO. **200SL SUNLIGHT 1800 LUMEN RECHARGEABLE COLOR MATCH FLOOD LIGHT - CRI 95 W/ ROLLING STAND**



- Working at 5500-6000K, it exactly replicates the color temperature of the mid-day Sun while achieving a high CRI of 95 - guaranteeing an accurate representation of surface colors and imperfections.
- Spots color differences and paint imperfections like only a high CRI color match light can.
- IP65 water and dust proof.
- 100% solid aluminum construction.

SPECIFICATIONS			
LED Max Power	20 Watts	Color Temperature	5500~6000K
Water Proof	IP65	Light Output	500~1800 Lumens
Battery Life	2.5~8 hrs	Charge time	3~4 hrs
Li-Ion Rechargeable Battery	11.1V/4400 mAh		

PERFECT FOR

- DETAILING**
- PAINT CORRECTION**
- COLLISION REPAIR**
- PAINT BOOTHS**

WHAT IS CRI?

A Color Rendering Index (CRI) is a numerical measure of the ability of a light source to reveal the colors of various objects faithfully in comparison with an ideal or natural light source.

- The majority of LED work lights have a CRI between 75-85.
- The color temperature of natural daylight can change (morning, noon, evening), but the CRI is always 100.

MODEL NO. **50SL** **SUNLIGHT** 400 LUMEN RECHARGEABLE HANDHELD COLOR MATCH LIGHT - CRI 97

- Highest color match rating (CRI 97) of any LED light on the market
- Aluminum reflector to avoid color pollution
- Easily removable and cleanable lens
- Collapsible hook 360 degree rotating hook
- 180 degree folding magnetic base
- Impact resistant

SPECIFICATIONS			
LED Max Power	5 Watts	Color Temperature	4100K
Water Proof	IP65	Light Output	400 Lumens
Battery Life	3~4 hrs	Charge time	4 hrs
Li-ion Rechargeable Battery	3.7V/2600 mAh		



MODEL NO. **200SL** **SUNLIGHT** 1800 LUMEN RECHARGEABLE COLOR MATCH FLOOD LIGHT - CRI 95 W/ ROLLING STAND



- Working at 5500-6000K, it exactly replicates the color temperature of the mid-day Sun while achieving a high CRI of 95 - guaranteeing an accurate representation of surface colors and imperfections.
- Spots color differences and paint imperfections like only a high CRI color match light can.
- IP65 water and dust proof.
- 100% solid aluminum construction.

SPECIFICATIONS			
LED Max Power	20 Watts	Color Temperature	5500~6000K
Water Proof	IP65	Light Output	500~1800 Lumens
Battery Life	2.5~8 hrs	Charge time	3~4 hrs
Li-ion Rechargeable Battery	11.1V/4400 mAh		



Model: **50SL**

Product Type:

SUNLIGHT 400LM RECHARGEABLE CORDLESS PROFESSIONAL COLOR MATCH LIGHT - CRI 97

! WARNING !

A light not marked for outdoor use is to be used for indoors only. Risk of electrical shock. Not for use near gas, combustible or explosive materials. Misuse can lead to FIRE or DEATH by electrical shock. Please read carefully and follow all directions before using.

- Keep children away.
- Don't use in or around tubs, showers, sinks, pools, hot tubs, or in a wet environment.
- Don't operate light with wet hands.
- Don't use near open flames or hot objects.
- Fully insert plug into power source (100 - 240 V).
- Grasp plug, not cord, to remove from outlet.
- Don't use a damaged cord set.
- Inspect light periodically.
- Don't disassemble, repair or modify the light.
- Don't look directly into the light beam, because it may blind.

USING INSTRUCTIONS

The ON/OFF switch is located on the back of the handle :

- Press 1x high light mode (400 Lumen)
(after 5 minutes automatically switch to low light mode)
- Press 2x low light mode (200 Lumen)
- Press 3x off

CHARGING PROCESS

- Before first use, the lamp should be fully charged. The lamp should also be fully charged before being stored for a long period of time.
- To charge the lamp, put the lamp into charging base and insert the USB cable connection with AC / DC power supply. Then connect the AC / DC power supply to main socket.
- The battery should only be charged with the charger supplied by the manufacturer. To avoid damage, please do not use another chargers. When not in use, the charging cable must be unplugged from the outlet. Keep the lamp in a dry place away from direct sunlight. The lamp must be protected against high humidity and water.
- Charging indication via coloured LEDs:
 - Battery is charging: The blue LED indicators blink
 - Battery is fully charged: The five LED indicators turn full blue

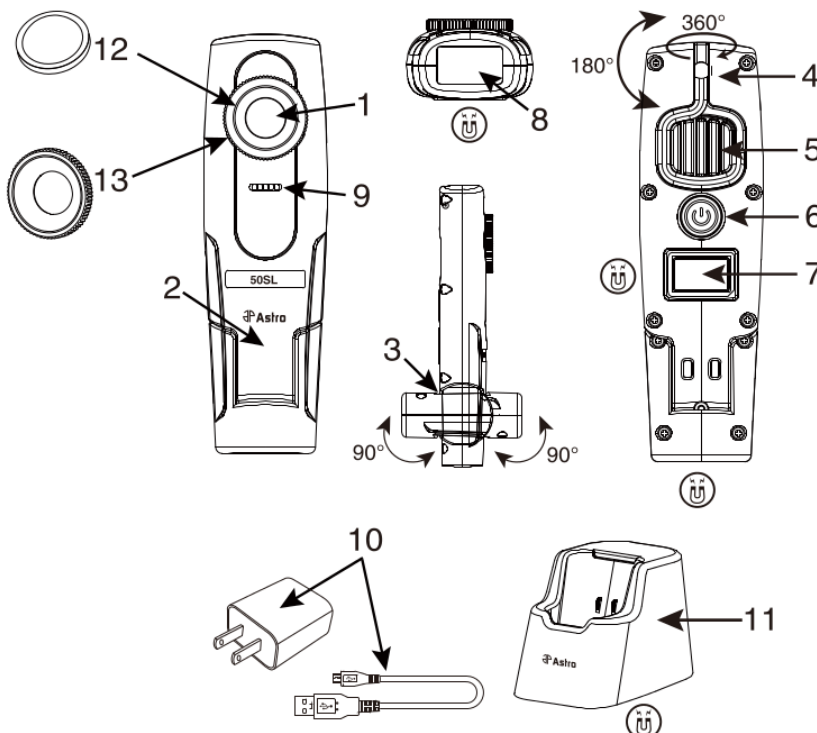


Waste electrical products should not be disposed of together with household waste. Please recycle where facilities exist.

Check with your local authority or retailer for recycling advice.

- The battery can not be replaced
- The battery must be removed from the appliance before it is scrapped
- The appliance must be disconnected from the supply mains when removing the battery
- The battery is to be disposed of safely

PARTS BREAKDOWN



Parts List

Index	Part No.	Description	Qty
01	50SL-01	5W HIGH CRI COB LED	1
02	50SL-02	Plastic housing	1
03	50SL-03	180° rotatable, lockable lamp handle for a flexible light alignment	1
04	50SL-04	360° rotatable and foldable hook	1
05	50SL-05	Metal heat sink	1
06	50SL-06	On and Off switch	1
07	50SL-07	Magnet on the rear of the housing	1
08	50SL-08	Magnet on base	1
09	50SL-09	Charging / battery indicator	1
10	50SL-10	USB cable with AC / DC mains power supply (100 V-240 V)	1
11	50SL-11	Charging base	1
12	50SL-12	Lens	1
13	50SL-13	Metal lamp reflector	1