



## Model # 3059

# HEADLIGHT RESTORATION AND METAL POLISHING KIT



• Kit Includes:

- 1 - Aluminum storage case
- 1 - Variable speed Quick Coupler Air Buffer (#3059A)
- 1 - 3" Scuff Mushroom Shaped Buff (#3059-01)
- 1 - 4" Scuff Mushroom Shaped Buff (#3059-02)
- 1 - 3" 100% Cotton Mushroom Shaped Buff (#3059-03)
- 1 - 4" 100% Cotton Mushroom Shaped Buff (#3059-04)
- 1 - 3" 100% Cotton Tapered Buff (#3059-05)
- 1 - 2" 100% Cotton Drum Buff (#3059-06)

- 1 - Brown Rouge (#3059-07)
- 1 - White Rouge (#3059-08)
- 1 - Blue Rouge (#3059-09)

- Accessories sold separately:  
 #3059-10 - 3" Buffing Wheel  
 #3059-11 - 4" Buffing Wheel



Model	Hose Power	Free Speed	Min. Air Hose Size	Avg. Air Consumption	Weight
3059A	1/2hp	2500rpm	3/8" ID	4cfm	2lbs (1kgs)
Air Pressure	Buffing Wheel Arbor Size	Buffing Wheel Diameter	Buffing Wheel Width	Buffing Wheel Grit	
90 psi	3/8"	2.5"	5/8"	36 Grit	



## IDEAL FOR SCALING AND RUST REMOVAL

- Ideal for restoring aluminum and magnesium rims, engine parts, motorcycle parts and plastics (1800 RPM's)
- Easily removes clear coats from weathered wheels
- Creates CUSTOM looks on parts by giving them a polished or a flat finish
- Restores damaged polycarbonate headlamps (Must use tool at low rpm - 1800 max for plastic)
- Quickly restores weathered headlamps without removing from car
- Reduces cost of replacements
- All Buffs have a hex shaped shaft with a Quick Coupling mechanism
- No tools needed to switch the buffs



# Astro



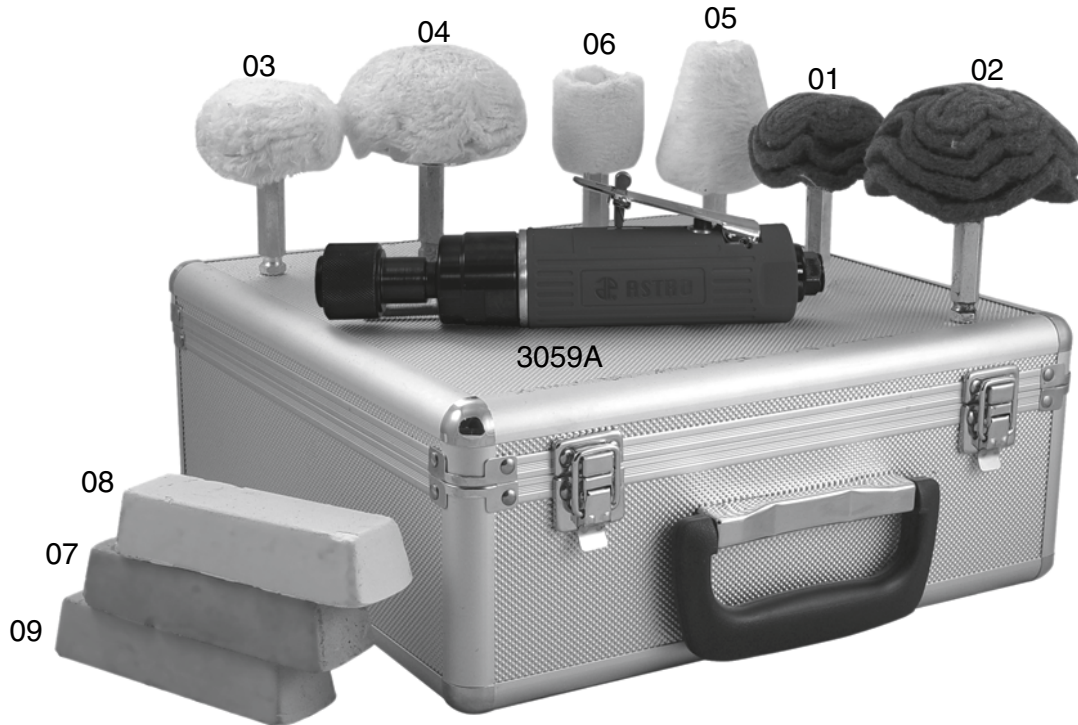
AIR TOOLS

SHOP EQUIPMENT PAINT & BODY UNDERCAR KIT HYDRAULICS





## PARTS BREAKDOWN

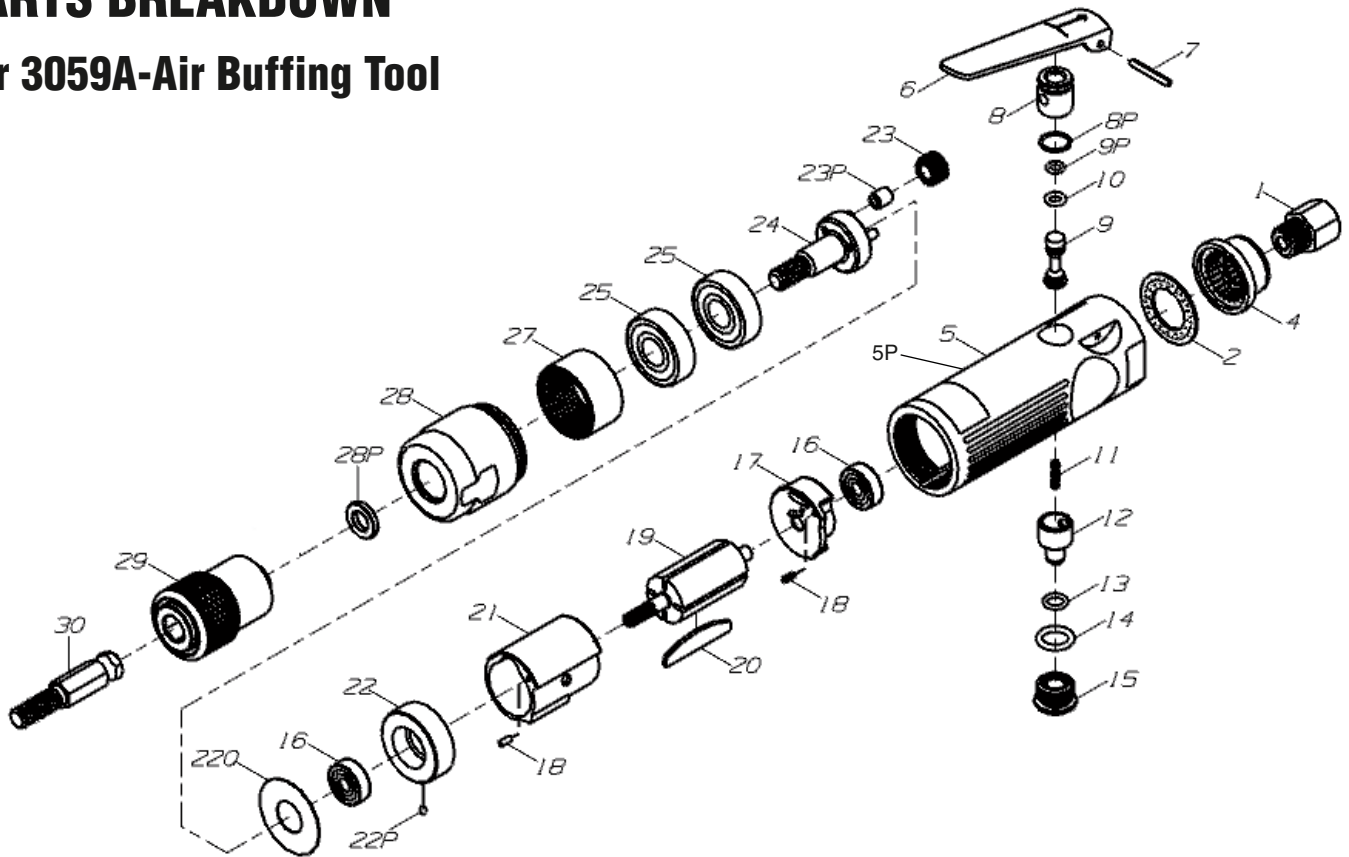


### Parts List

<i>Part No.</i>	<i>Description</i>	<i>Qty</i>
3059A	Air Buffing Tool	1
3059-01	3" Scuff Mushroom Shaped Buffer	1
3059-02	4" Scuff Mushroom Shaped Buffer	1
3059-03	3" 100% Cotton Mushroom Shaped Buff	1
3059-04	4" 100% Cotton Mushroom Shaped Buff	1
3059-05	3" 100% Cotton Tapered Buff	1
3059-06	2" 100% Cotton Drum Buff	1
3059-07	Brown Rouge	1
3059-08	White Rouge	1
3059-09	Blue Rouge	1

## PARTS BREAKDOWN

### For 3059A-Air Buffering Tool



### Parts List

Part No.	Description	Qty
3059A-01	Inlet Bushing	1
3059A-02	Exhaust Washer	1
3059A-04	Exhaust Deflector	1
3059A-05	Motor Housing	1
3059A-05P	Housing Sleeve	1
3059A-06	Safety Lever	1
3059A-07	Lever Pin	1
3059A-08	Valve	1
3059A-08P	O-Ring	1
3059A-09	Throttle Valve	1
3059A-09P	O-Ring	1
3059A-10	O-Ring	1
3059A-11	Spring	1
3059A-12	Air Regulator	1
3059A-13	O-Ring	1
3059A-14	O-Ring	1
3059A-15	Valve Screw	1

Part No.	Description	Qty
3059A-16	Ball Bearing	1
3059A-17	Rear End Plate	1
3059A-18	Pin	1
3059A-19	Rotor	1
3059A-20	Rotor Blades	1
3059A-21	Cylinder	1
3059A-22	Front End Plate	1
3059A-22P	Pin	1
3059A-23	Idler Gear	1
3059A-23P	Bushing	1
3059A-24	Idler Gear Plate	1
3059A-25	Ball Bearing	1
3059A-27	Ring Gear	1
3059A-28	Gear Cap	1
3059A-29	Quick Chuck	1
3059A-30	Adaptor	1