

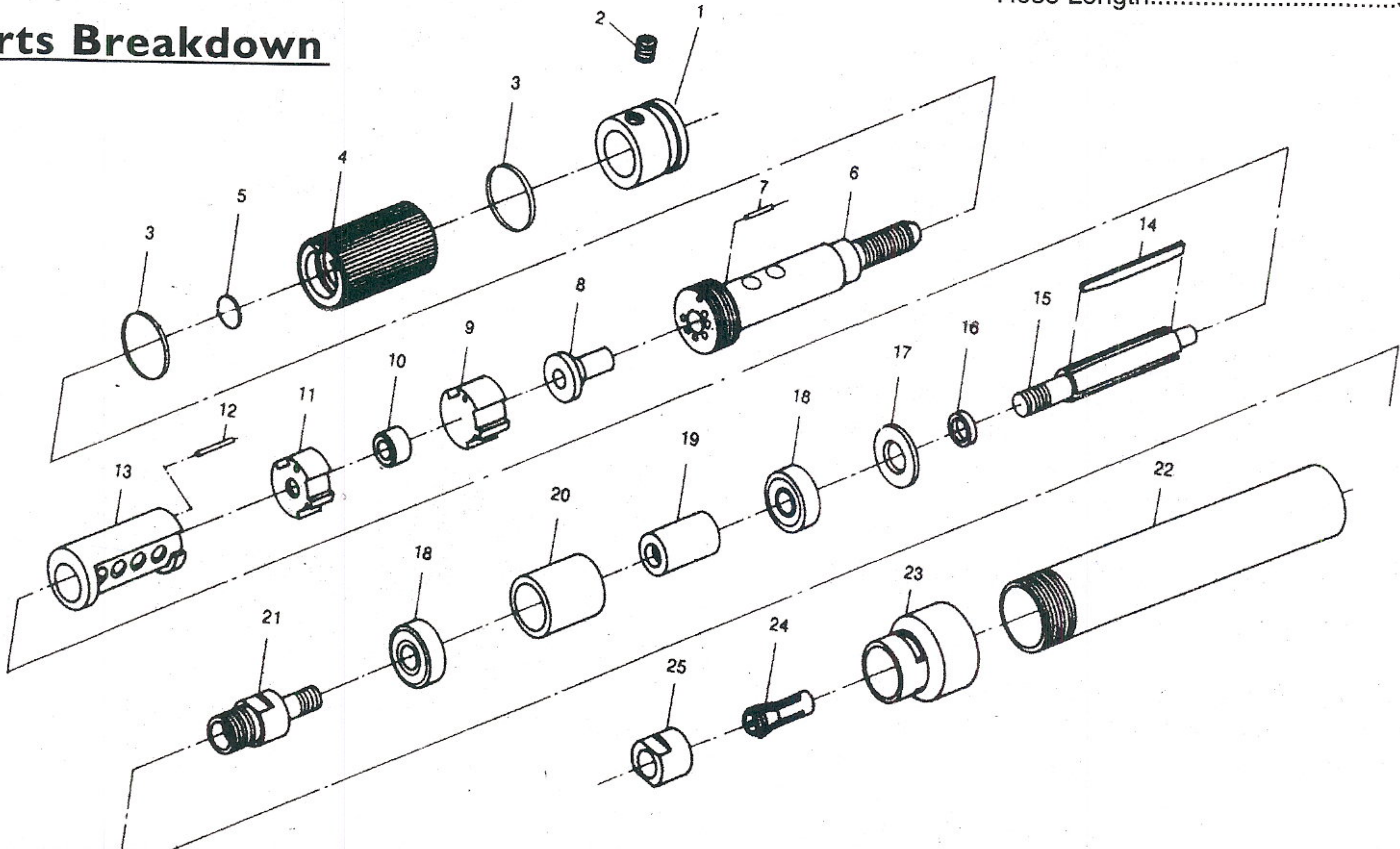
**218 - 1/8" PENCIL TYPE DIE GRINDER-
56,000rpm**

- *Ideal for tight spots
- *Designed for high speed porting and finishing of small parts

Specifications:

Collet Size:.....1/8"
Free Speed:..... 56,000rpm
Overall Length:.....5-1/4" (133mm)
Net Weight:.....1/4lbs. (.11kg)
Air Inlet Thread NPT:.....1/4"
Air Hose I.D. Size:.....3/8" (10mm)
Avg. Air Consumption:.....4cfm
Air Pressure:.....90-120psi
Hose Length:.....5'

Parts Breakdown



Astro Parts Number	Description
218-A01	Rear End Holder
218-A02	Screw
218-A03	O-ring
218-A04	Sliding Knob
218-A05	O-ring
218-A06	Hose Plug
218-A07	Pin
218-A08	Plug
218-A09	Intake Plate
218-A10	Ball Bearing
218-A11	Bearing Plate
218-A12	Pin
218-A13	Cylinder
218-A14	Rotor Blade

Astro Parts Number	Description
218-A15	Rotor
218-A16	Spacer
218-A17	Lateral Disc
218-A18	Ball Bearing
218-A19	Interior Bearing Retainer Bushing
218-A20	Outer Bearing Retainer Bushing
218-A21	Collet Foundation
218-A22	Sleeve
218-A23	Front Cover
218-A24	Collet
218-A25	Clamping Nut
218-W	Wrench Set
218-AHWF	Hose with Fitting