



**Astro Pneumatic  
Tool Company**

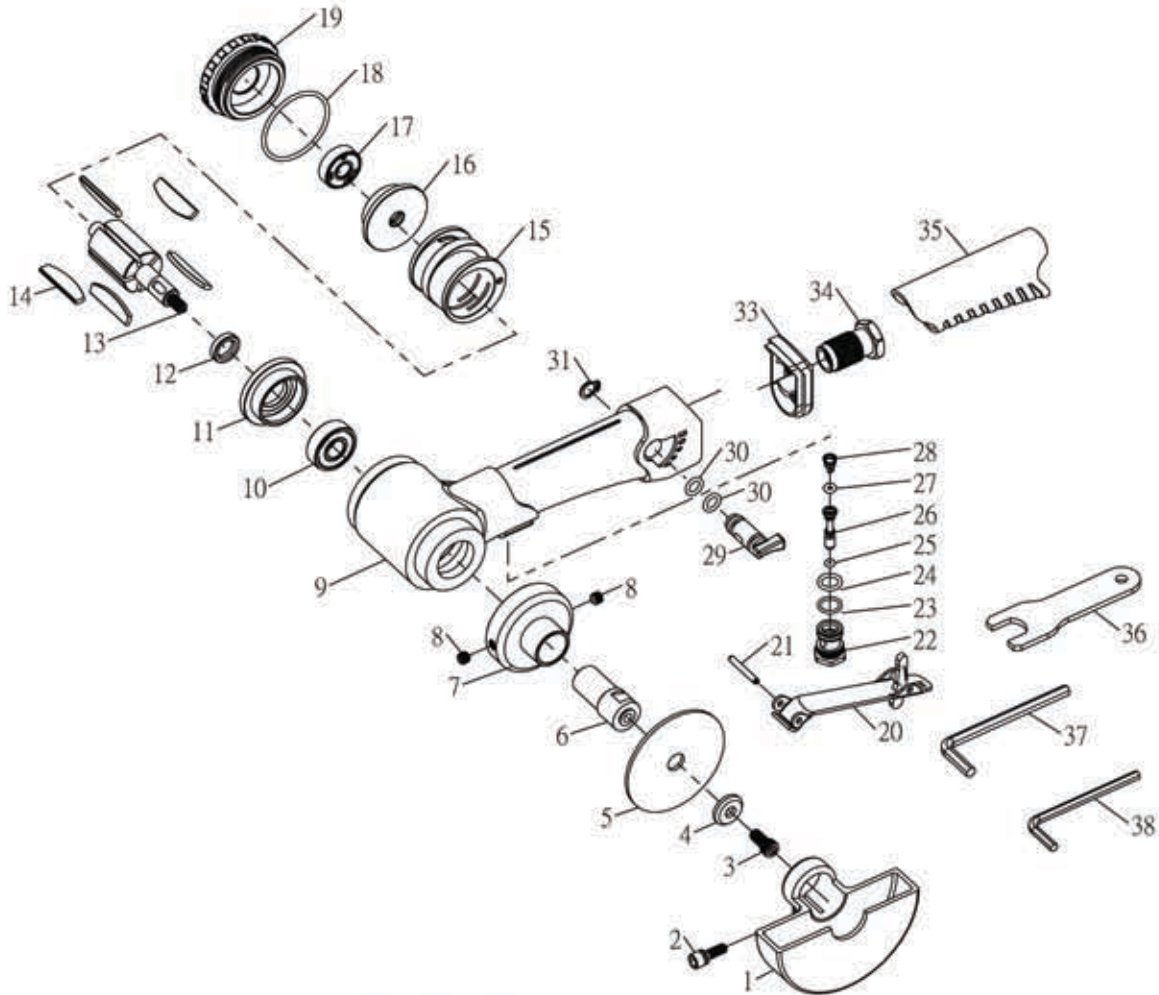
Model:

**209**

Product Type:

**IN-LINE 3" CUT-OFF TOOL**

## PARTS BREAKDOWN



### Parts List

Index	Part No.	Description	Qty
1	209-01	Safety Guard	1
2	209-02	Cap Screw	1
3	209-03	Pan Head Screw (M6x12)	1
4	209-04	Spacer	1
5	209-05	Cut-Off Wheel	1
6	209-06	Arbor	1
7	209-07	Clamp Nut	1
8	209-08	Set Screw (M5x5)	2
9	209-09	Housing	1
10	209-10	Ball Bearing (6000ZZ)	1
11	209-11	Front End Plate	1
12	209-12	Spacer	1
13	209-13	Rotor	1

Index	Part No.	Description	Qty
14	209-14	Rotor Blade	5
15	209-15	Cylinder	1
16	209-16	Rear End Plate	1
17	209-17	Ball Bearing (608zz)	1
18	209-18	O-Ring (S38)	1
19	209-19	Cap	1
20	209-20	Safety Lever Ass'y	1
21	209-21	Spring Pin (∅3x20)	1
22	209-22	Valve Body	1
23	209-23	O-Ring (S11.2)	1
24	209-24	O-Ring (P9)	1
25	209-25	O-Ring (AS-004)	1
26	209-26	Valve Stem	1

Index	Part No.	Description	Qty
27	209-27	O-Ring (P3)	1
28	209-28	Valve Spring	1
29	209-29	Air Regulator	1
30	209-30	O-Ring (P7)	2
31	209-31	External Snap Ring (STW-8)	1
33	209-33	Exhaust Diffuser	1
34	209-34	Inlet Bushing	1
35	209-35	Housing Cover	1
36	209-36	(#14) Spanner Wrench	1
37	209-37	Hex Key Wrench(M5)	1
38	209-38	Hex Key Wrench(M4)	1