

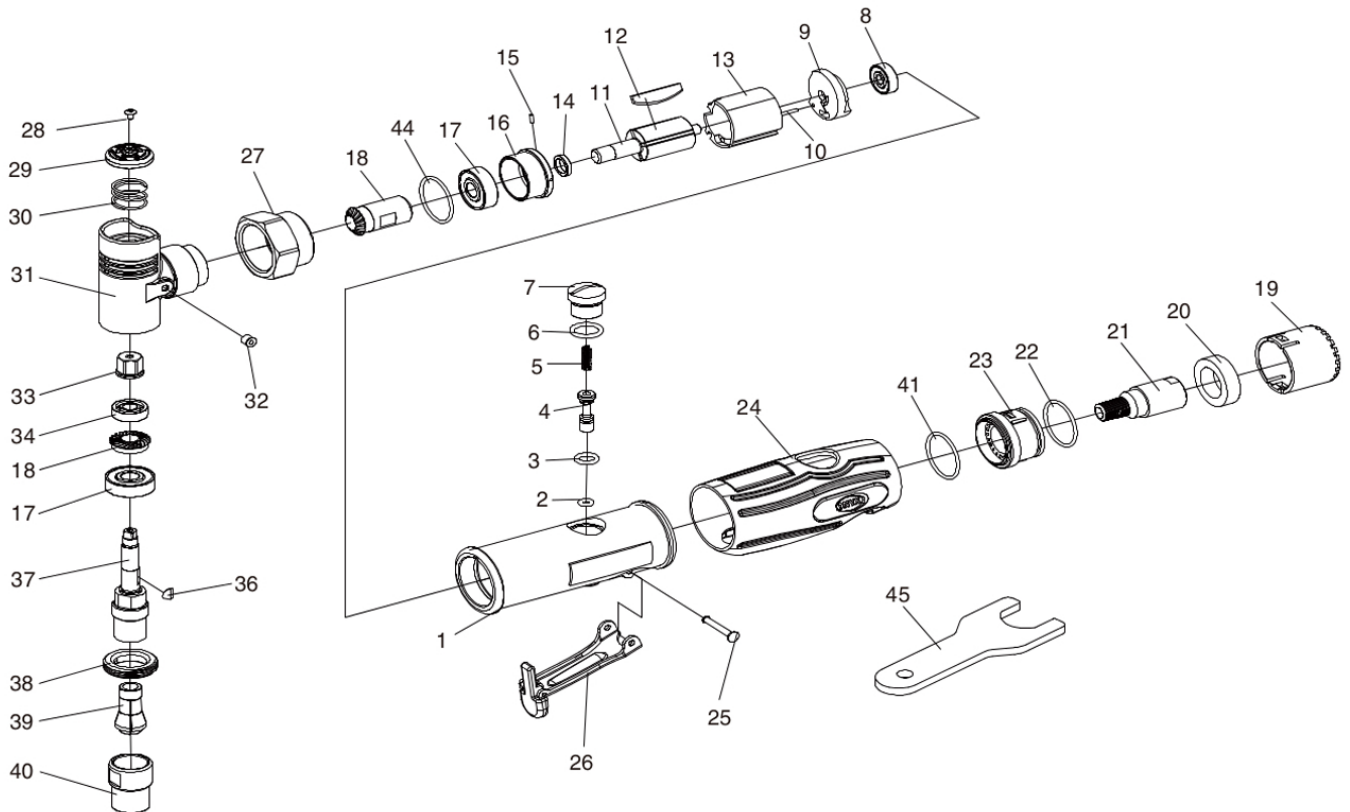


**Astro Pneumatic  
Tool Company**

Model:  
**205QL**

Product Type:  
**ONYX QUICK-LOCK  
1/4" 90° ANGLE DIE GRINDER**

## PARTS BREAKDOWN



### Parts List

Index	Part No.	Description	Qty
1	205QL-01	Housing Ass'y	1
2	205QL-02	O-Ring	1
3	205QL-03	O-Ring	1
4	205QL-04	Valve Stem	1
5	205QL-05	Spring	1
6	205QL-06	O-Ring	1
7	205QL-07	Valve Plug	1
8	205QL-08	Ball Bearing	1
9	205QL-09	Rear End Plate	1
10	205QL-10	Dowel Pin	1
11	205QL-11	Rotor	1
12	205QL-12	Rotor Blade	4
13	205QL-13	Cylinder	1
14	205QL-14	Bushing	1
15	205QL-15	Pin	1
16	205QL-16	Front End Plate	1
17	205QL-17	Ball Bearing	2
18	205QL-18	Gear Ass'y	1

Index	Part No.	Description	Qty
19	205QL-19	Muffler cover	1
20	205QL-20	Exhaust Deflector	1
21	205QL-21	Air Inlet Bushing	1
22	205QL-22	O-Ring	1
23	205QL-23	Exhaust hood	1
24	205QL-24	Handle Grip	1
25	205QL-25	Throttle Lever Pin	1
26	205QL-26	Throttle Lever	1
27	205QL-27	Connect Nut	1
28	205QL-28	Screw	1
29	205QL-29	Push Button	1
30	205QL-30	Spring	1
31	205QL-31	Gear Case Ass'y	1
32	205QL-32	Grease Fitting	1
33	205QL-33	Turret stop shaft	1
34	205QL-34	Ball Bearing	1
36	205QL-36	Key	1
37	205QL-37	Work Spindle	1

Index	Part No.	Description	Qty
37	205QL-37	Work Spindle	1
38	205QL-38	Nut	1
39	205QL-39	1/4" Collets	1
40	205QL-40	Collets Nut	1
41	205QL-41	O-Ring	1
44	205QL-44	O-Ring	1
45	205QL-45	Wrench	1

Check out the collection of air tools and compressors we offer.