

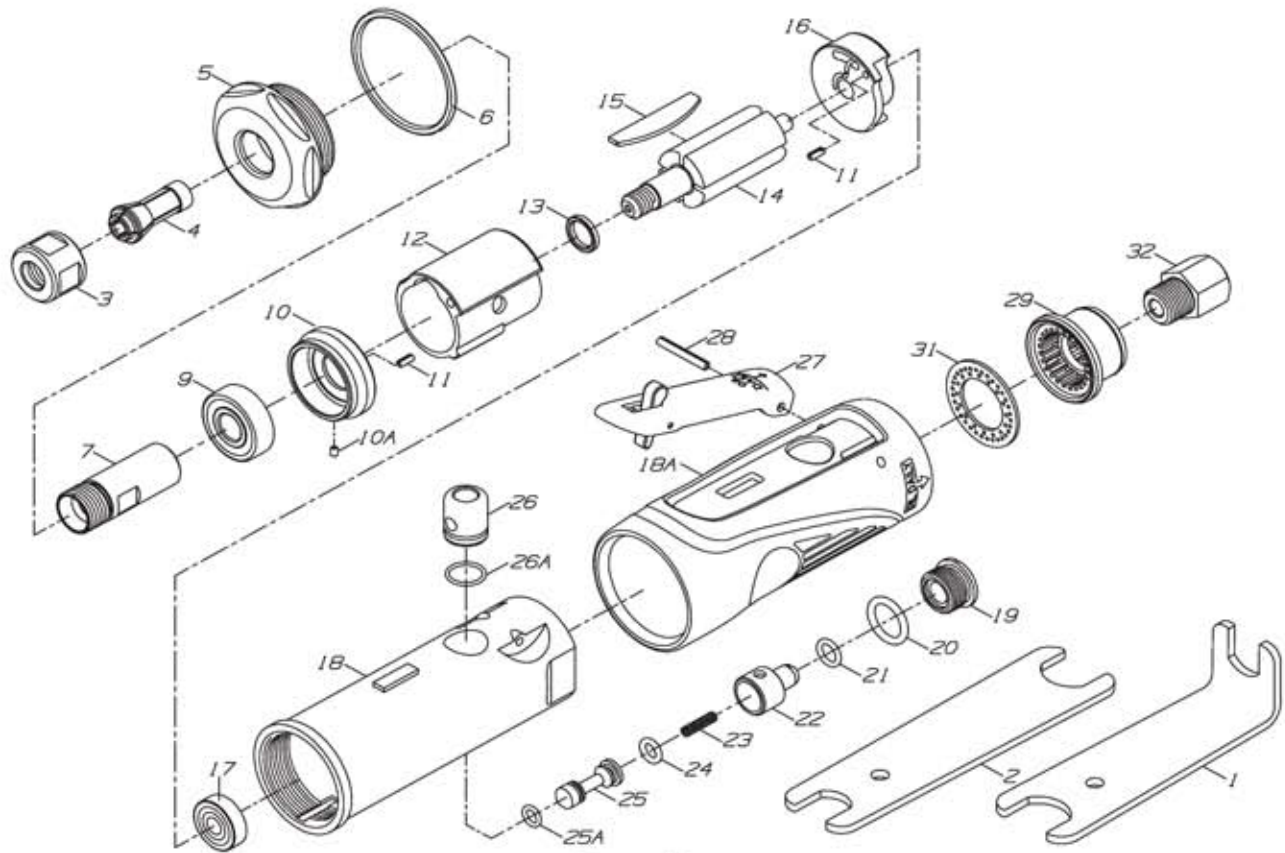


**Astro Pneumatic  
Tool Company**

Model:  
**202**

Product Type:  
**COMPOSITE BODY 1/4" MEDIUM  
DIE GRINDER - 22,000RPM -  
REAR EXHAUST**

## PARTS BREAKDOWN



### Parts List

Index	Part No.	Description	Qty	Index	Part No.	Description	Qty
1	T210-01	Angle Ended Spanner	1	18	1206A-18	Housing	1
2	T210-02	Double Ended Spanner	1	18A	202-18A	Housing Sleeve	1
3	T210-03	Collet Nut	1	19	T210-19	Valve Screw	1
4	T210-04	Collet	1	20	T210-20	O-Ring	1
5	202-05	Housing Cap	1	21	T210-21	O-Ring	1
6	202-06	Ring	1	22	T210-22	Air Regulator	1
7	T210-07	Spindle	1	23	T210-23	Spring	1
9	T210-08	Ball Bearing	1	24	T210-24	O-Ring	1
10	T210-09	Front End Plate	1	25	T210-25	Throttle Valve	1
10A	T210-11P	Pin	1	25A	T210-25P	O-Ring	1
11	T210-10	Pin	2	26	T210-26	Valve Bushing	1
12	T210-12	Cylinder	1	26A	T210-26P	O-Ring	1
13	T210-13	Spacer	1	27	201-05	Safety Lever	1
14	T210-14	Rotor	1	28	202-28	Throttle Pin	1
15	T210-15	Rotor Blade	4	29	202-29	Exhaust Deflector	1
16	T210-16	Rear End Plate	1	31	T210-31	Exhaust Washer	1
17	T210-17	Ball Bearing	1	32	T210-32	Inlet Bushing	1