

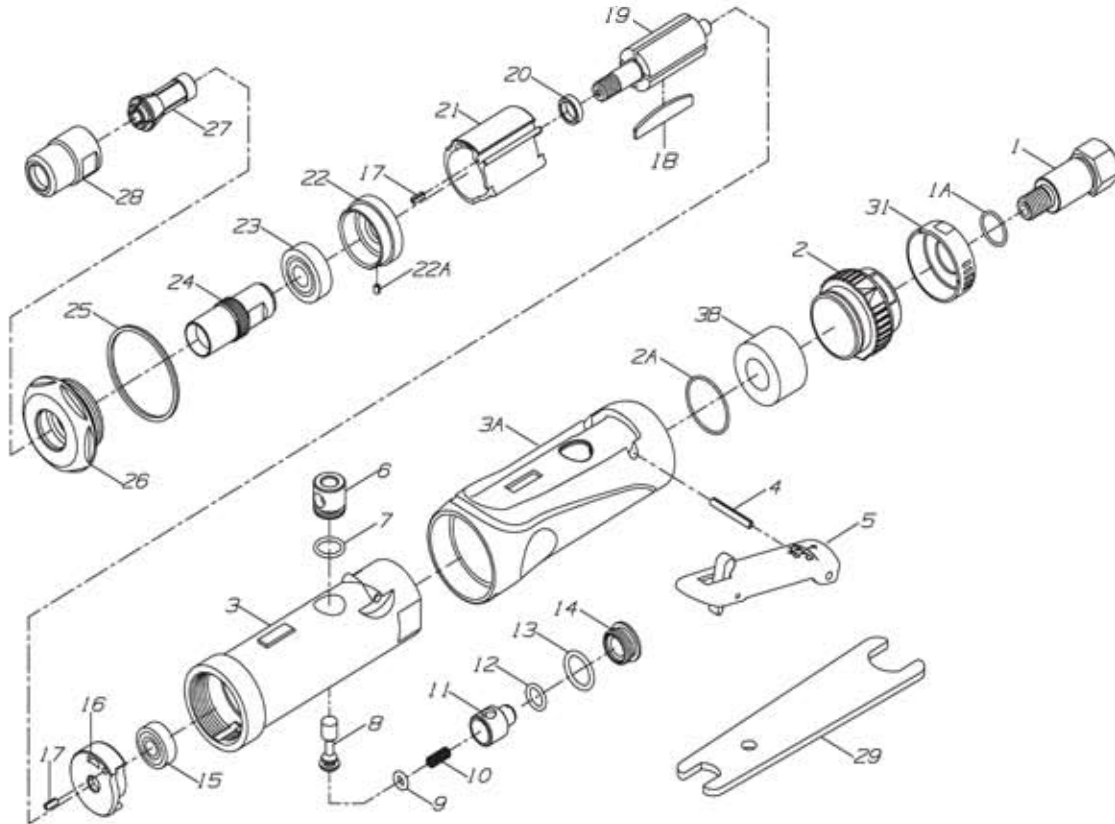


**Astro Pneumatic
Tool Company**

Model:
201

Product Type:
**COMPOSITE BODY 1/4" DIE GRINDER
- 25,000RPM - REAR EXHAUST**

PARTS BREAKDOWN



Parts List

Index	Part No.	Description	Qty	Index	Part No.	Description	Qty
1	204-01	Inlet Bushing	1	15	201-15	Ball Bearing	1
1A	T210-26P	O-Ring	1	16	201-16	Rear End Plate	1
2	204-02	Exhaust Sleeve	1	17	T210-11	Pin	2
2A	204-02A	O-Ring	1	18	201-18	Rotor Blade	4
3	201-03	Motor Housing	1	19	201-19	Rotor	1
3A	204-03A	Housing Sleeve	1	20	T20AH-13	Bearing Spacer	1
3B	204-03B	Muffler	1	21	201-21	Cylinder	1
4	T210-28	Pin	1	22	204-22	Front End Plate	1
5	201-05	Safety Lever	1	22A	T210-11P	Pin	1
6	T20AH-31	Valve Bushing	1	23	T20AH-18	Ball Bearing	2
7	T20AH-31P	O-Ring	1	24	201-24	Collet Spindle	1
8	204-08	Throttle Valve	1	25	204-32A	Ring	1
9	T20AH-32	O-Ring	1	26	201-26	Motor Cover	1
10	T20AH-03	Spring	1	27	T210-04	1/4" Collet	1
11	T20AH-04	Air Regulator	1	28	T20AH-30	Collet Nut	1
12	T20AH-05	O-Ring	1	29	204-40	Double Ended Spanner	2
13	T20AH-06	O-Ring	1	31	201-31	Controller	1
14	T20AH-07	Valve Screw	1				