



Model:

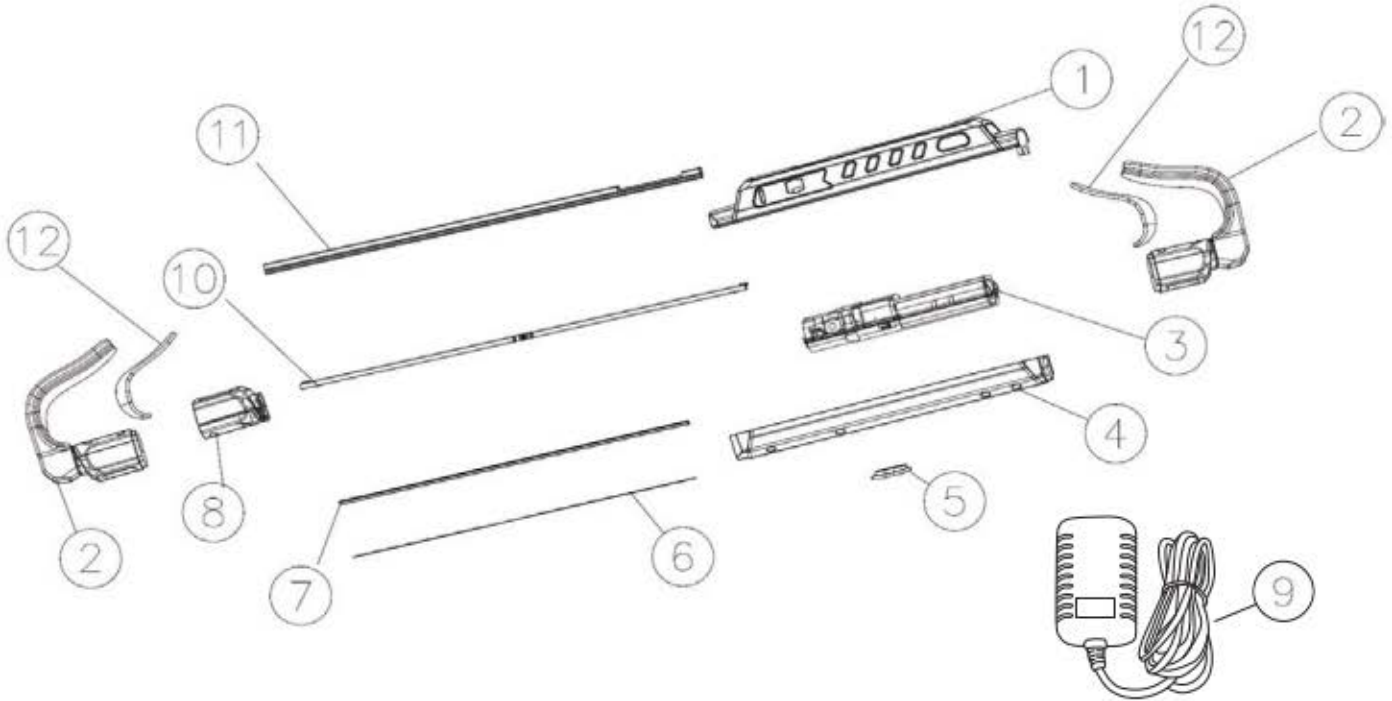
151SL

Product Type:

1510 LUMEN SLIM ALUMINUM RECHARGEABLE UNDERHOOD LIGHT

PARTS BREAKDOWN

 **Astro Pneumatic**



Parts List

| Index | Part No. | Description | Qty |
|--------------|-----------------|---|------------|
| 1 | 151SL-01 | Upper Handle with USB End Cap | 1 |
| 2 | 151SL-02 | Hook Part | 1 |
| 3 | 151SL-03 | Control Board Part | 1 |
| 4 | 151SL-04 | Lower Handle | 1 |
| 5 | 151SL-05 | Switch Button | 1 |
| 6 | 151SL-06 | PCB Board | 1 |
| 7 | 151SL-07 | PC Tube | 1 |
| 8 | 151SL-08 | Connector for Hook | 1 |
| 9 | 151SLCH | Charger | 1 |
| 10 | 151SL-10 | Telescopic Tube | 1 |
| 11 | 151SL-11 | Aluminum Housing with Transparent Cover | 1 |
| 12 | 151SL-12 | Hood Protector Cover | 2 |