



**Astro Pneumatic  
Tool Company**

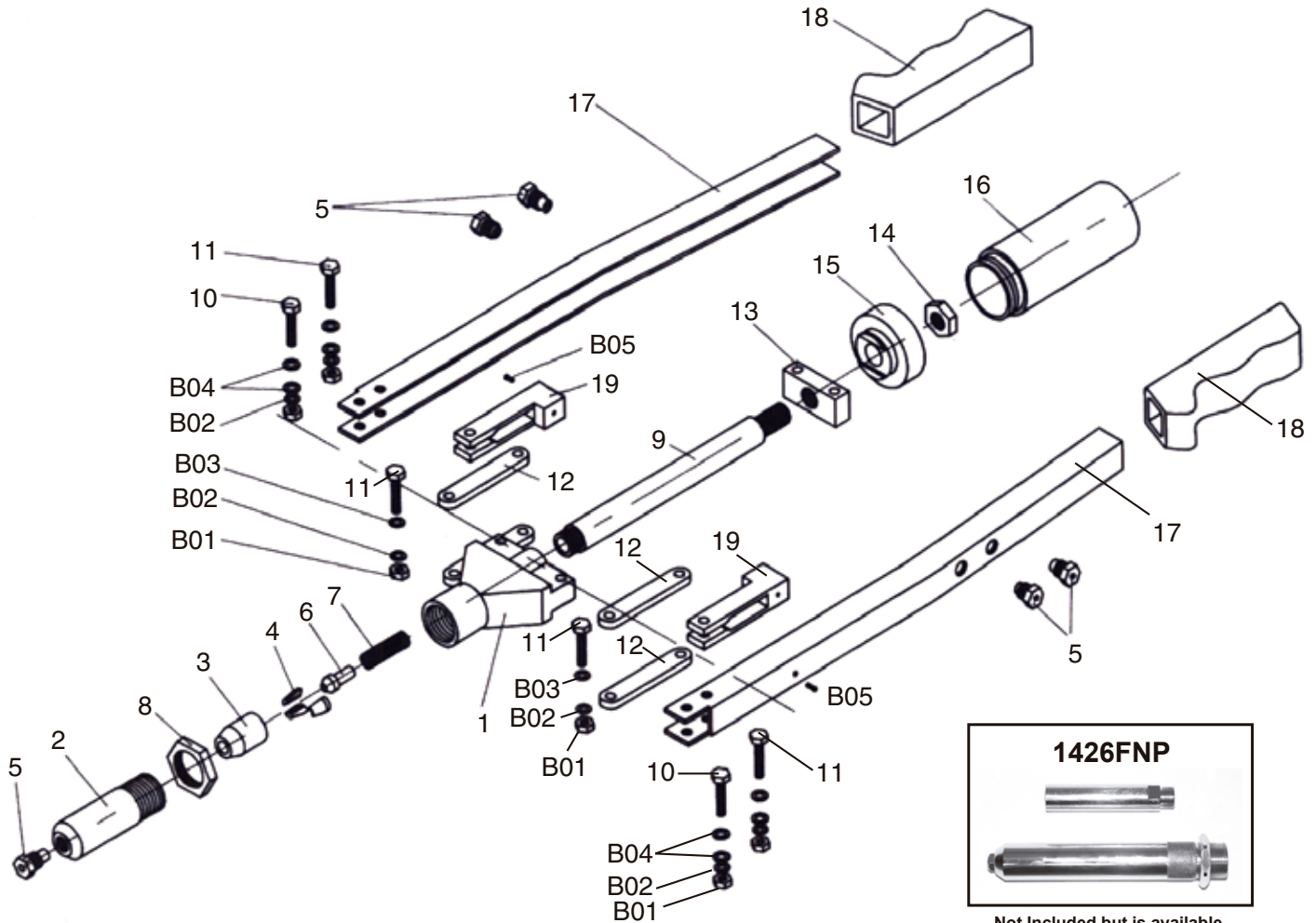
Model:

**1426**

Product Type:

**1/4" HEAVY DUTY  
HAND RIVETER**

**PARTS BREAKDOWN**



**Parts List**

Part No.	Description	Qty
1426-01	Body	1
1426-02	Outer Cylinder	1
1426-03*	Jaw Carrier	1
1426-04*	Jaws (3pc. set)	1 set
1426-05*	Nosepiece 1/8" (3.0/3.2mm) Rivet Nosepiece 5/32" (4.0mm) Rivet Nosepiece 3/16" (4.8/5.0mm) Rivet Nosepiece 7/32" (5.6/6.0mm) Rivet Nosepiece 1/4" (6.4mm) Rivet	5
1426-06*	Jaw Pusher	1
1426-07*	Pusher Spring	1
1426-08	Lock Nut	1
1426-09	Double Threaded Friction Shaft	1
1426-10	Bolt M6 x 5 (26mm) Step Down Bolt, Special Design	2
1426-11	Bolt M6 x 5 (37mm) Step Down Bolt, Special Design	4

Part No.	Description	Qty
1426-12	Link	4
1426-13	Friction Shaft Pivot Block	1
1426-14	Nut	1
1426-15	Bottle Lid	1
1426-16	Bottle	1
1426-17	Handle	2
1426-18	Plastic Grip	2
1426-19	Cushion	2
1426-B01	Lock Nut M5	6
1426-B02	Washer (Ø5 x 0.8)	6
1426-B03	Washer (Ø6 x 0.8)	2
1426-B04	Copper Washer (Ø6 x 0.6)	8
1426-B05	Bolt (M4 x 10)	2
1426FNP	5-1/2" Extension Nose Piece	1set

Please note the parts with asterisk (\*) wear down and are available for replacement.