



Model: **1222**

Product Type:

**HEAVY-DUTY 1/4" ANGLE HEAD DIE GRINDER
& STANDARD DUTY 1/4" DIE GRINDER SET**

WARNING

Users of this tool should review the chemical composition of the work surface and any products used in conjunction with this tool for any such chemicals prior to engaging in any activity that creates dust and/or microscopic particles.

Users should obtain the Material Safety Data Sheets for all identified chemicals, either from the manufacturer or their employer, and proceed to study, understand, and follow all instructions and warnings for exposure to such chemicals.

Some examples of these chemicals are: lead from lead based paints; crystalline silica from bricks, cement and other masonry products; and arsenic and chromium from chemically treated lumber.

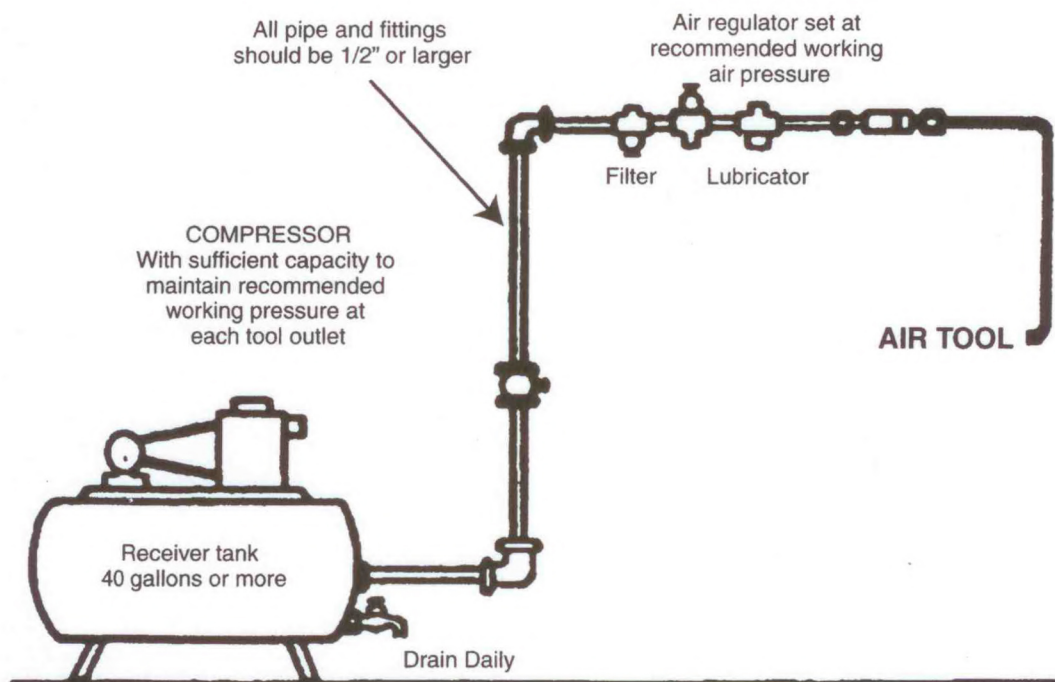
In order to reduce their exposure to such chemicals users should always:

- work in well-ventilated areas .
- wear appropriate safety equipment and clothes that are specifically designed to filter out microscopic particles

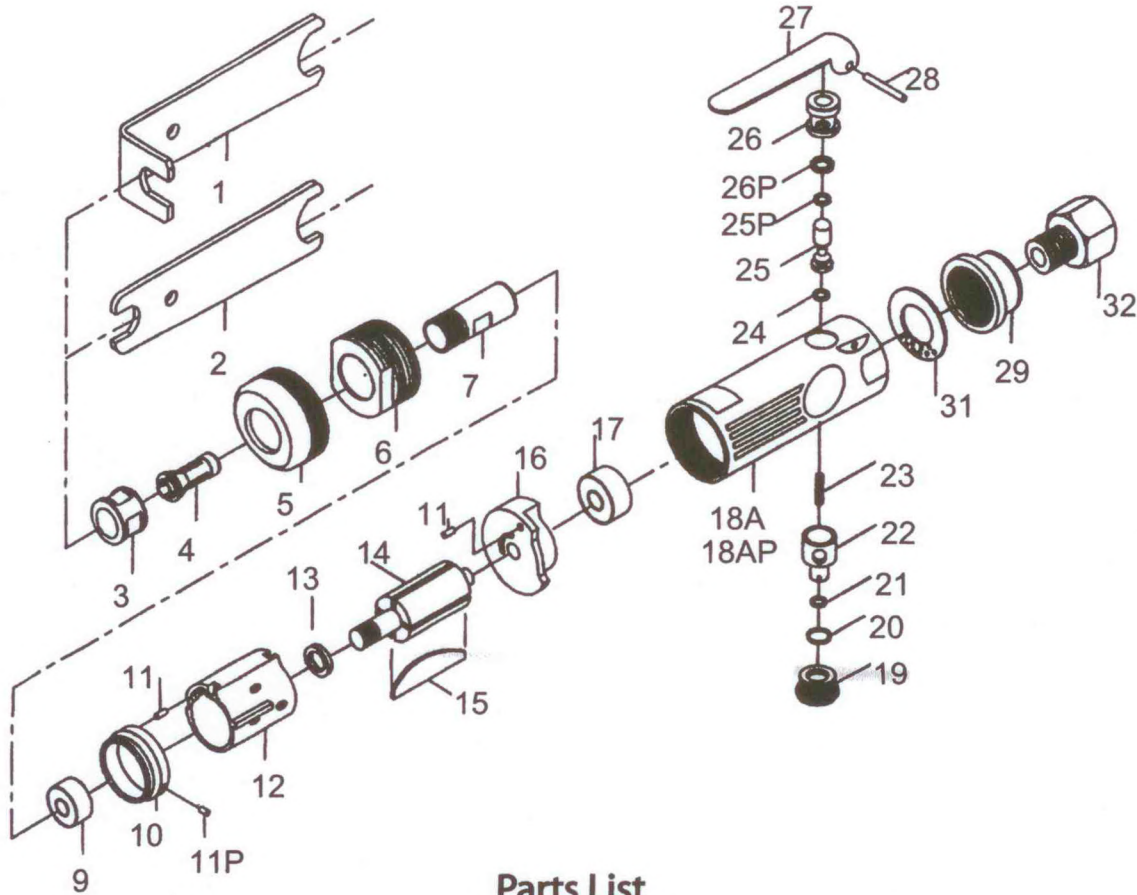
Cautions for Use

- 1.) This tool is intended for polishing and sanding with all types of movement e.g. rotary, orbital and reciprocating, using coated abrasive product and bonnets of various soft materials and endless belts. Any other use is forbidden.
- 2.) Only use the polishing and sanding pads as recommended by the pad manufacturer.
- 3.) It is forbidden to use the grinding wheels and cut-off wheels on this tool.
- 4.) Ensure the max. operating speed of the pad is higher than the rated speed of the poser tool.
- 5.) Centrally adhere sanding disc to support pad.
- 6.) Always wear ANSI approved ear protection and safety glasses when using this tool. Gloves and protective clothing are recommended.
- 7.) Personal protection and dust collection devices shall be chosen according to the material being worked upon. Please consult provider of such devices.
- 8.) Release the start and stop device in case of failure of energy supply.
- 9.) Only use the lubricant recommended by the manufacturer

SUGGESTED AIR LINE CONNECTION



PARTS BREAKDOWN

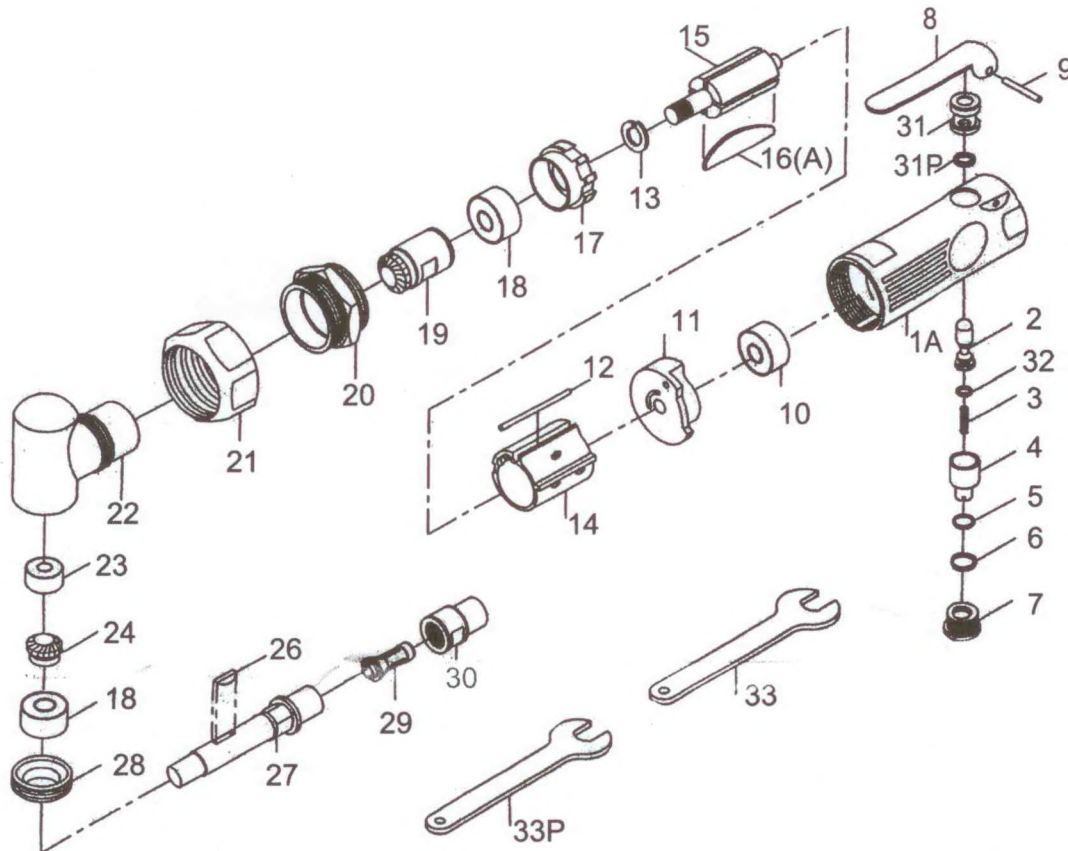


Parts List

Index No.	Part No.	Description	Qty
1	T210-1	Angle Ended Spanner	1
2	T210-2	Double Ended Spanner	1
6	T210-3	Collet Nut	1
4	T210-4	Collet	1
5	T210-5	Housing Cap	1
6	T210-6	Retainer	1
7	T210-7	Spindle	1
9	T210-9	Ball Bearing	1
10	T210-10	Front End Plate	1
11	T210-11	Pin	2
11P	T210-11P	Pin	1
12	T210-12	Cylinder	1
13	T210-13	Spacer	1
14	T210-14	Rotor	1
15	T210-15	Rotor Blade	4
16	T210-16	Rear End Plate	1
17	T210-17	Ball Bearing	1

Index No.	Part No.	Description	Qty
18A	1206A-18	Housing	1
18AP	1206A-18P	Housing Sleeve	1
19	T210-19	Valve Screw	1
20	T210-20	O-Ring	1
21	T210-21	O-Ring	1
22	T210-22	Air Regulator	1
23	T210-23	Spring	1
24	T210-24	O-Ring	1
25	T210-25	Throttle Valve	1
25P	T210-25P	O-Ring	1
26	T210-26	Valve Bushing	1
26P	T210-26P	O-Ring	1
27	T210-27	Safety lever	1
28	T210-28	Throttle Pin	1
29	T210-29	Exhaust Deflector	1
31	T210-31	Exhaust Washer	1
32	T210-32	Inlet Bushing	1

PARTS BREAKDOWN



Parts List

Index No.	Part No.	Description	Qty
1A	1240-1	Motor Housing	1
2	T20AH-2	Throttle Valve	1
3	T20AH-3	Throttle Valve Spring	1
4	T20AH-4	Air Regulator	1
5	T20AH-5	Regulator O-Ring	1
6	T20AH-6	Valve Screw O-Ring	1
7	T20AH-7	Valve Screw	1
8	T20AH-8	Safety lever	1
9	T20AH-9	Throttle Lever Pin	1
10	T20AH-10	Ball Bearing	1
11	T20AH-11	Rear End Plate	1
12	T20AH-12	Dowel Pin	1
13	T20AH-13	Rotor Collar	1
14	T20AH-14	Cylinder	1
15	T20AH-15	Rotor	1
16	T20AH-16	Rotor Blade	4
17	T20AH-17	Front End Plate	1

Index No.	Part No.	Description	Qty
18	T20AH-18	Ball Bearing	2
19	T20AH-19	Pinion	1
20	T20AH-20	Cap Lock	1
21	T20AH-21	Threaded Cap	1
22	T20AH-22	Angle Head Housing	1
23	T20AH-23	Ball Bearing	1
24	T20AH-24	Spindle Gear	1
26	T20AH-26	Woodruff Key	1
27	T20AH-27	Spindle	1
28	T20AH-28	Clamp Nut	1
29	T20AH-29	Collet 1/4", 1/8", 6mm, 3mm	1
30	T20AH-30	Collet Nut	1
31	T20AH-31	Throttle Valve Bushing	1
31P	T20AH-31P	Throttle Valve O-Ring	1
32	T20AH-32	O-Ring	1
33	T20AH-33	Spanner Wrench(L)	1
33P	T20AH-33P	Spanner Wrench (S)	1