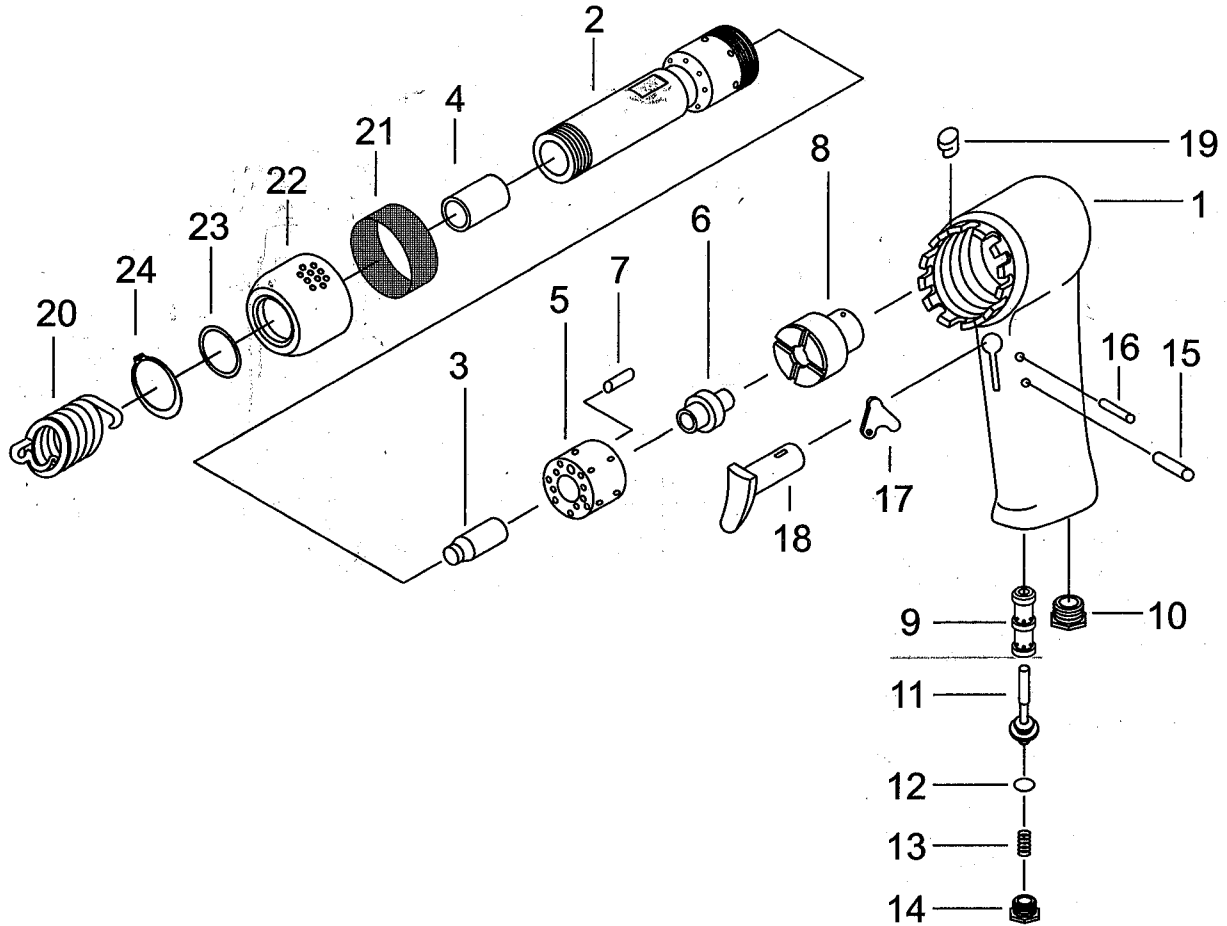


PARTS BREAKDOWN



Parts List

Index	Part No.	Description	Qty
1	4980-01	Handle	1
2	4980-02	Cylinder (5X)	1
3	4980-03	Piston (5X)	1
4	4980-04	Bush	1
5	4980-05	Valve Box	1
6	4980-06	Valve	1
7	4980-07	Pin	1
8	4980-08	Valve Seat	1
9	4980-09	Throttle Bush	1
10	4980-10	Inlet Bushing	1
11	4980-11	Valve Stem	1
12	4980-12	O-Ring (5.7 x 1.7)	1

Index	Part No.	Description	Qty
13	4980-13	Spring	1
14	4980-14	Hex	1
15	4980-15	Pin (4 x 19)	1
16	4980-16	Spring Pin (3 x 18)	1
17	4980-17	Assistant Lever	1
18	4980-18	Lever	1
19	4980-19	Stopper Pin	1
20	4980-20	Retainer Spring	1
21	4980-21	Copper Sheathing	1
22	4980-22	Exhaust Conver	1
23	4980-23	O-Ring (37 x 3)	1
24	4980-24	Snap Ring (S38)	1