



**Astro Pneumatic
Tool Company**

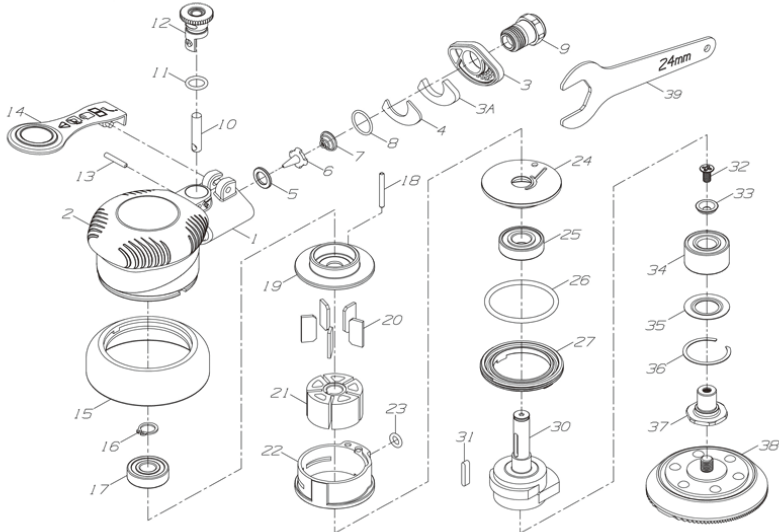
Model:

330

Product Type:

**3" FINISHING PALM SANDER W/
HOOK & LOOP BACKING PAD -
3/32" STROKE**

PARTS BREAKDOWN



Parts List

Index	Part No.	Description	Qty
1	322-01	Housing (inc.#2 Sleeve)	1
3	314-14	Silencer Cover	1
3A	314-13	Muffler	1
4	314-12	Brass Silencer	1
5	3022-11	Spacer	1
6	3022-12	Controller	1
7	3022-13	Spring	1
8	322-08	O-Ring	1
9	3014-10	Air Inlet	1
10	3022-07	Valve Stem	1
11	3022-04	O-Ring	1
12	3014-04	Regulator	1
13	3022-08	Pin	1
14	3014-13A	Lever	1
15	330-15	Cover	1
16	3022-18	Retaining Ring	1
17	3022-19	Ball Bearing	1
18	3022-21	Pin	1
19	3022-20	Rear Plate	1

Index	Part No.	Description	Qty
20	3022S-23	Rotor Blade	5
21	3022S-22	Rotor	1
22	3022S-24	Cylinder	1
23	3022-25	O-Ring	1
24	3022-26	Front Plate	1
25	3022-27	Ball Bearing	1
26	3022-28	O-Ring	1
27	3022-29	Motor Cover	1
30	330-30	Rotor Shaft (3",2.5mm Stroke)	1
31	3022-41	Key	1
32	3022-44	Screw	1
33	3022-45	Washer	1
34	3022S-33	Double Row Ball Bearing	1
35	3022-35	Washer	1
36	3022-36	Retaining Ring	1
37	3022S-37	Drive Spindle	1
38	330-38	3" Velcro Pad	1
39	3022-40	24mm Wrench	1

** Also available sold separately 330-38P – 3" PSA Pad*