



**Astro Pneumatic  
Tool Company**

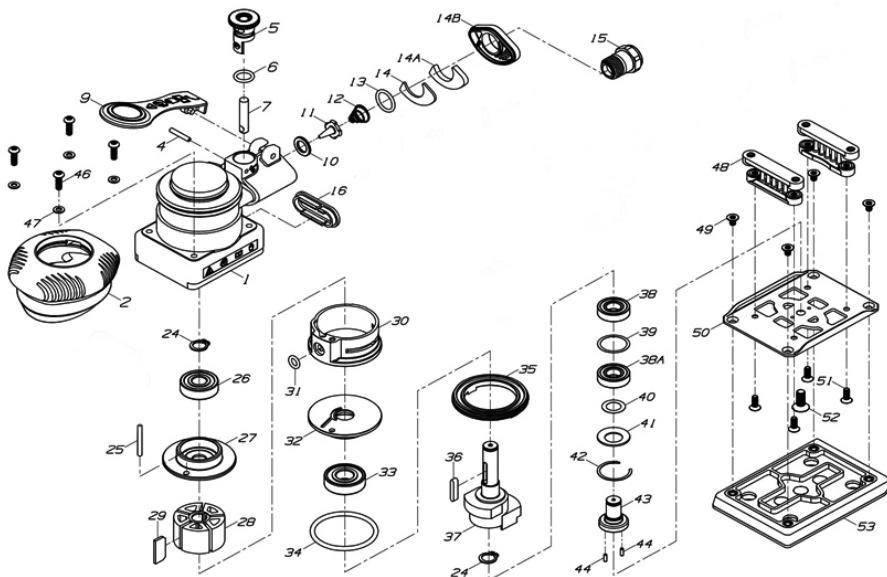
Model:

# 314

Product Type:

**3" FINISHING PALM SANDER W/  
HOOK & LOOP BACKING PAD -  
3/32" STROKE**

## PARTS BREAKDOWN



## Parts List

Index	Part No.	Description	Qty	Index	Part No.	Description	Qty	Index	Part No.	Description	Qty
1	314-01	Housing	1	24	3022-18	Retaining Ring	2	39	314-33	Washer	1
2	314-02	Sleeve	1	25	3022-21	Pin	1	40	314-34	Brass Washer	1
4	3022-08	Pin	1	26	3022-19	Ball Bearing	1	41	314-35	Wave Washer	1
5	3014-04	Regulator	1	27	3022-20	Rear Plate	1	42	314-36	Retaining Ring	1
6	3022-04	O-Ring	1	28	3022S-22	Rotor	1	43	314-37	Drive Spindle	1
7	3022-07	Valve Stem	1	29	3022S-23	Rotor Blade	5	44	314-38	Pin	2
9	3014-13	Lever (Plastic)	1	30	3022S-24	Cylinder	1	46	314-39	Washer	4
10	3022-11	Spacer	1	31	3022-25	O-Ring	1	47	314-40	Washer	4
11	3022-12	Controller	1	32	3022-26	Front Plate	1	48	314-41	Connector Assy.	2
12	3022-13	Spring	1	33	3022-27	Ball Bearing	1	49	314-42	Screw	4
13	3022S-08	O-Ring	1	34	3022-28	O-Ring	1	50	314-43	Shoe Plate	1
14	314-12	Brass Silencer	1	35	3022-29	Motor Cover	1	51	314-44	Screw	4
14A	314-13	Muffler	1	36	3022-41	Key	1	52	314-45	Screw	1
14B	314-14	Silencer Cover	1	37	314-30	Rotor Shaft	1	53	4613	Hook & Loop Pad	1
15	3014-10	Air Inlet	1	38	314-31	Ball Bearing	1				
16	314-16	Cover	1	38A	314-32	Ball Bearing	1				

\* Also available sold separately  
#4614 - PSA Pad