

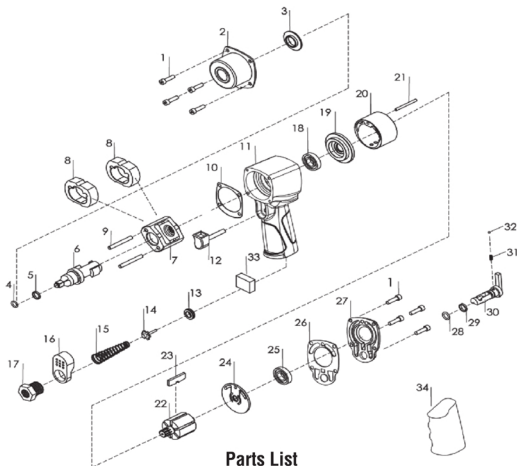


**Astro Pneumatic  
Tool Company**

Model:  
**1828**

Product Type:  
**3/8" NANO IMPACT WRENCH  
- 450FT/LB**

## PARTS BREAKDOWN



### Parts List

Index	Part No.	Description	Qty	Index	Part No.	Description	Qty
1	1822-01	Cap Screw	8	18	1822-18	Ball Bearing R8	1
2	1822-02	Hammer Housing	1	19	1822-19	Front nd Plate	1
3	1822-03	Hammer Case Bushing	1	20	1822-20	Cylinder	1
4	1822-04	Retainer Ring	1	21	1822-21	Dowel liner	1
5	1822-05	O-Ring	1	22	1822-22	Rotor	1
6	1828-06	Drive Anvil	1	23	1822-23	Rotor Blade	6
7	1822-07	Hammer Cage	1	24	1822-24	Rear End Plate	1
8	1822-08	Hammer Cam	2	25	1822-25	Ball Bearing R8	1
9	1822-09	Hammer Pin	2	26	1822-26	Motor Housing Gasket	1
10	1822-10	Motor Housing Gasket	1	27	1822-27	Housing Cap	1
11	1822-11	Housing	1	28	1822-28	O-Ring	1
12	1822-12	Trigger	1	29	1822-29	E-Ring	1
13	1822-13	Throttle Bushing	1	30	1822-30	Regulator Knob	1
14	1822-14	Throttle Valve	1	31	1822-31	Regulator Valve Detent Spring	1
15	1822-15	Throttle Spring	1	32	1822-32	Regulator Valve Detent Ball	1
16	1822-16	Air Exhaust Deflector	1	33	1822-33	Muffler	2
17	1822-17	Air Inlet Bushing	1	34	1822-34	Rubber Grip	1