

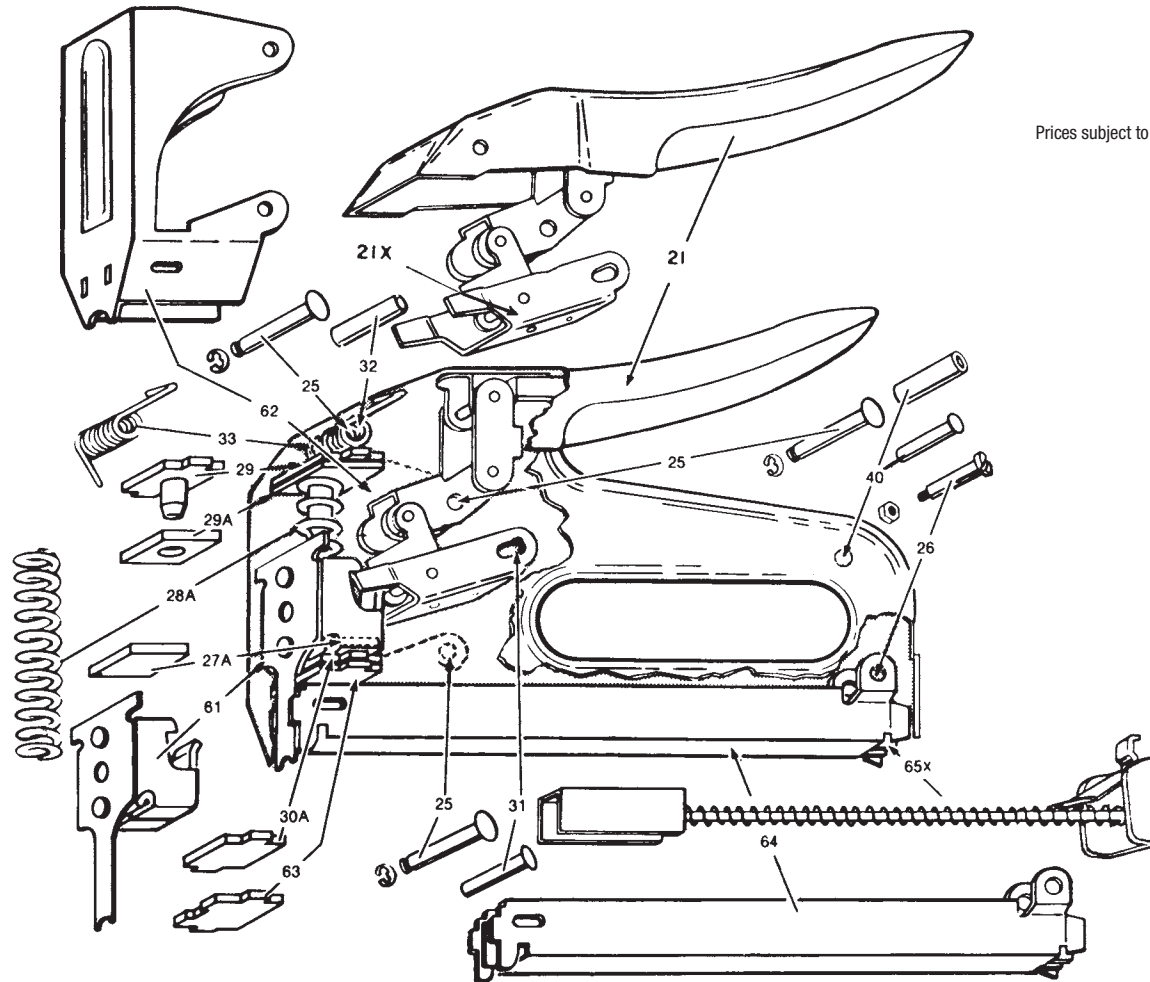
**ARROW**<sup>TM</sup>  
 HOW IT ALL COMES TOGETHER

**T25<sup>TM</sup> P**

**GUN TACKER**

Prices subject to change without notice.

• **FOR USE ON LOW VOLTAGE WIRING ONLY.**



**MADE IN**  
**USA**  
**HECHO EN E.U.A.**

**SAFETY INSTRUCTIONS**

- Always be cautious of potential hazards such as electrical wiring, slippery footing, damp or wet conditions, etc.
- Make sure you know what you are fastening — look for hidden hazards.
- Keep work area clean. Cluttered areas and benches invite accidents.
- Keep children away. All visitors should be kept a safe distance from work area.
- Store idle tools. When not in use, tools should be stored in high or locked-up place — out of reach of children.
- Use safety glasses.
- Do not overreach. Keep proper footing and balance at all times.
- Maintain tools with care. Follow instructions with care.
- For service, use only approved service centers.
- Use only original parts provided by the supplier.
- Stay alert — watch what you are doing. Use common sense.
- Do not staple into electrical wires. Be cautious of wires that may be hidden from view. Disconnect circuits.



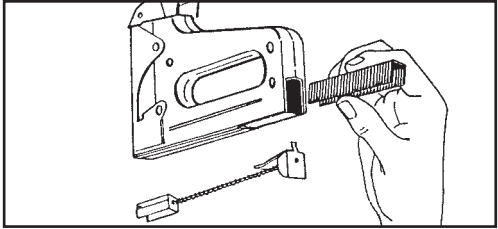
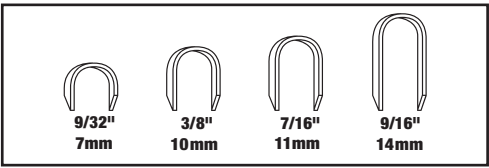
**Part No.**

- 21
- 21X
- 25
- 26
- 27a
- 28a
- 29
- 29a
- 30a
- 31
- 32
- 33
- 40
- 61
- 62
- 63
- 64
- 65X

POSTAGE AND HANDLING EXTRA

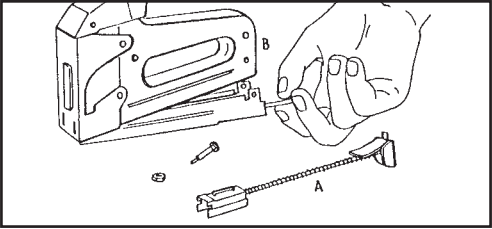
# T25™ P

## OPERATING INSTRUCTIONS



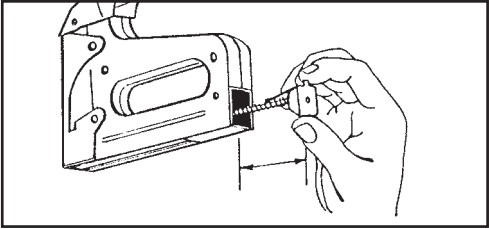
### TO LOAD

1. Remove pusher rod from machine.
2. Insert strip of staples.
3. Replace pusher rod.



### TO CLEAN STAPLE CHANNEL

1. Remove pusher rod A.
2. Remove screw and nut from hole B.
3. Pull down entire inside frame for complete cleaning.



### How to determine staple shortage for refill.

1. Press latch to release pusher rod.
2. Lightly push rod forward until it stops. Visible projected part of rod indicates amount of staples remaining in track.

1. For best results, the T25P Staple Gun is equipped with extended grooved-blade to position wire for proper envelopment of staple.
2. Uses 4 staple length hs: 9/32", 3/8", 7/16", 9/16". Excellent for use with braided wire, single and double strand wire, rubber coated wire, hollow tube lines and other low voltage wire up to 1/4" diameter.
3. Recommended for remote control wiring, thermostat control wiring, audio system wiring, alarm system wiring, pin ball machine wiring, telephone installation wiring, television and radio wiring, inter-communication wiring, CATV, and many other wiring uses. Also used for stringing wire.