

# TorqIT

HIGH-PRECISION TORQUE



**BATTERY-POWERED TORQUE**

**MODELS RANGING FROM 120-3,000 FT/LBS**

# TorqIT

HIGH-PRECISION TORQUE



BATTERY  
x2 Included in Kit\*



CHARGING  
KIT\*



TOOL  
CARRYING  
CASE\*



**BATTERY-  
POWERED**  
FULL CHARGE  
IN 60 MINS

- Durable and Portable Precision Torque
- Four Models From 120 Ft/Lbs to 3,000 ft/lbs
- Lithium Ion 8.0 Ah Rechargeable Battery - Full Charge in under 60 minutes
- Every Unit Calibrated In ISO17025 Laboratory
- 13-Month Warranty from date of purchase
- Made in the USA

\*Case Styles Vary

MODEL	DESCRIPTION	MIN. TORQUE	MAX. TORQUE	SQUARE DRIVE	WEIGHT
67505	WRENCH ONLY	120 ft./lbs.	500 ft./lbs.	3/4"	8.3 lbs (3.8 kg)
67505K	WRENCH AND BATTERY KIT	120 ft./lbs.	500 ft./lbs.	3/4"	10.4 lbs (4.7 kg)
67510	WRENCH ONLY	240 ft./lbs.	1000 ft./lbs.	1"	11.5 lbs (5.2 kg)
67510K	WRENCH AND BATTERY KIT	240 ft./lbs.	1000 ft./lbs.	1"	14.5 lbs (6.6 kg)
67520	WRENCH ONLY	500 ft./lbs.	2000 ft./lbs.	1"	13.1 lbs (5.9 kg)
67520K	WRENCH AND BATTERY KIT	500 ft./lbs.	2000 ft./lbs.	1"	15.9 lbs (7.2 kg)
67530	WRENCH ONLY	750 ft./lbs.	3000 ft./lbs.	1"	19.6 lbs (8.9 kg)
67530K	WRENCH AND BATTERY KIT	750 ft./lbs.	3000 ft./lbs.	1"	22.5 lbs (10.2 kg)
67500	BATTERY PACK	-	-	-	1 lbs (0.45 kg)

\*KIT PART NUMBERS INCLUDE BATTERY KIT EQUIPPED WITH (2) X 18V BATTERIES AND CHARGING STATION.

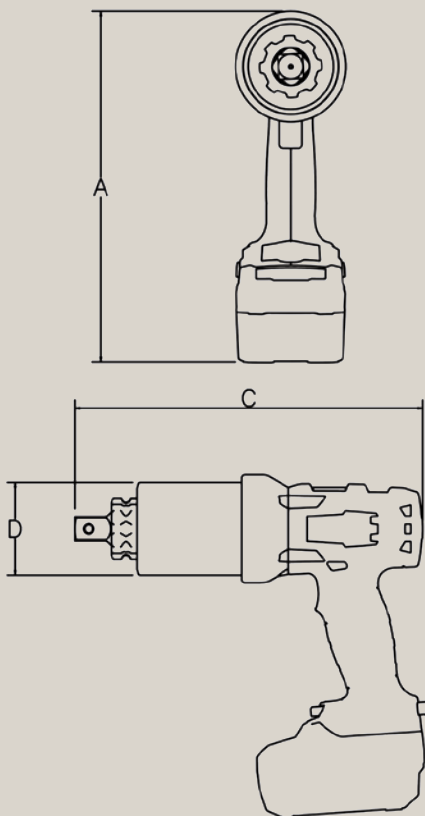
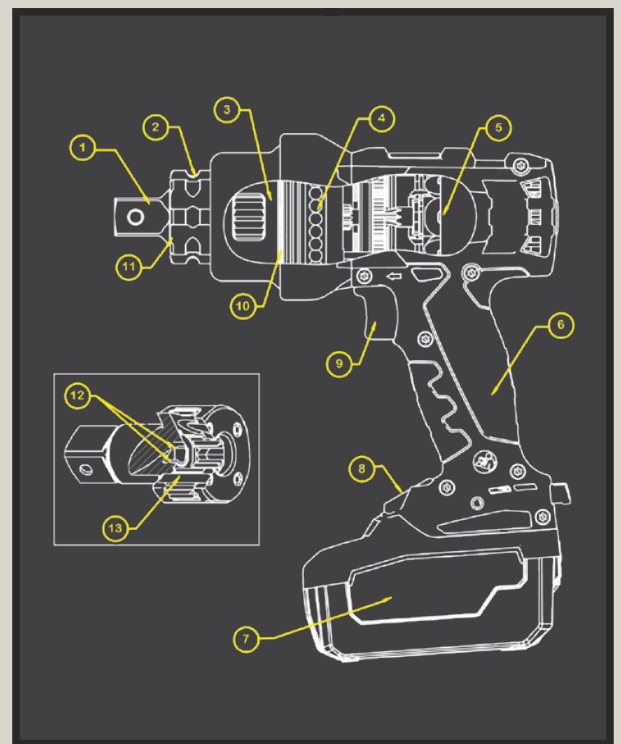


DIGITAL PROGRAMMABLE TORQUE  
FOUR MODELS RANGING FROM 120-3000 FT/LB OF TORQUE



# THE POWER INSIDE

1. Hardened alloy steel for durability and long cycle life
2. Bearings support the loads experienced at the square drive
3. Multi-stage planetary gear systems with optimized tooth design
4. Smooth ball bearing rotation of the gearbox housing independent from the motor handle
5. High-Efficiency Brushless Motor
6. Ergonomic glass-filled Nylon handle with a durable slip-resistant overmold
7. 18V 8.0 Ah LiHD Battery that provides extended run-time
8. LCD display for setting and viewing Torque and Units
9. Soft-Start Trigger
10. Thrust bearing between stages isolate the motor when used in all orientations
11. O-Rings Seal grease in while keeping dirt and water out
12. Gears run on low friction, high strength bearing sleeves
13. Tool steel pins in each stage carrier



## SPECIFICATIONS

MODEL NUMBER	67505	67510	67520	67530	67510-E6
SQUARE DRIVE	3/4"	1"	1"	1"	3/4"
MIN. TORQUE (ft/lbs)	120	240	500	750	240
MAX TORQUE (ft/lbs)	500	1000	2000	3000	1000
MIN. TORQUE (Nm)	160	330	680	1020	335
MAX TORQUE (Nm)	670	1350	2710	4030	1355
HEIGHT A (w/ battery) (in)	10.40"	10.40"	10.40"	10.40"	10.40"
HEIGHT A (w/ battery) (mm)	265	265	265	265	265
LENGTH C (in)	8.86"	10.97"	11.45"	13.94"	15.64"
LENGTH C (mm)	225	279	291	355	397
DIAMETER D (in)	2.56"	2.85"	3.09"	3.75"	2.62"
DIAMETER D (mm)	65	72.4	78.5	95.3	67
WEIGHT (w/o reaction arm & battery) (lbs)	8.3	11.5	13.1	19.6	13.5
WEIGHT (w/o reaction arm & battery) (kg)	3.8	5.3	5.9	8.9	6.1
WEIGHT (w/ reaction arm & battery) (lbs)	10.4	14.5	15.9	22.5	16.5
WEIGHT (w/ arm & battery) (lbs)	4.7	6.6	7.2	10.2	7.5
RPM at Min. Torque	12	2	1	0.5	2
RPM at Max Torque	20	8	5	2	8

**#67505**  
 single speed  
 Torque range  
**120-500 FT/LBS**  
 Free speed  
**12-20 RPM**

**#67510**  
 single speed  
 Torque range  
**240-1000 FT/LBS**  
 Free Speed  
**2-8 RPM**

**#67520**  
 single speed  
 Torque range  
**500-2000 FT/LBS**  
 Free speed  
**1-5 RP M**

**#67530**  
 single speed  
 Torque range  
**750-3000 FT/LBS**  
 Free speed  
**0.5-2 RPM**

Charger Requirements: 110 - 120 V (50-60 Hz) and 230 - 240 V (50-60 Hz)



# TorqIT

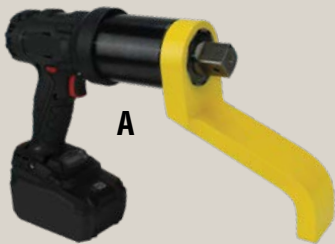
HIGH-PRECISION TORQUE



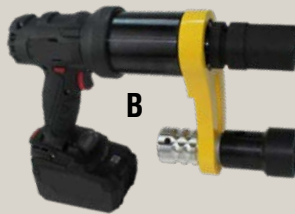
## ACCESSORIES

### REACTION ARMS\*

**LONG EXTENDED REACTION ARM**



**SOCKET-TO-SOCKET REACTION ARM**



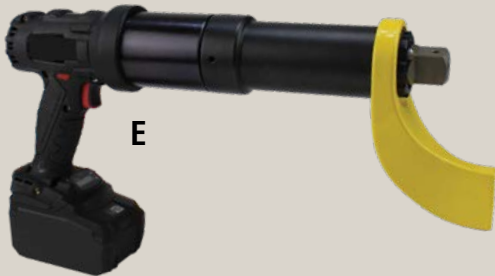
**STRAIGHT REACTION ARM**



**SLIDING STRAIGHT REACTION ARM**



**NOSE EXTENSIONS**



(F G H)\*\*

	1" DRIVE MODEL NO.	3/4" DRIVE MODEL NO.	DESCRIPTION
<b>A</b>	67512	67525	Long Arm for use w/ Deep Well Sockets
<b>B</b>	67518	67585	Socket to Socket Reaction Arm
<b>C</b>	67513	67535	Straight Reaction Arm
<b>D</b>	67514	67545	Sliding Straight Reaction Arm
<b>E</b>	-	67510-E6	67510 3/4" Drive w/ 6" Nose Extension
<b>F</b>	67516	67565	6" Nose Extension Only**
<b>G</b>	67517	67575	12" Nose Extension Only**
<b>H</b>	67519	-	18" Nose Extension Only**

\*SOLD SEPARATELY



Discover other automotive tools on our website.