

TorqIT

HIGH-PRECISION TORQUE



BATTERY-POWERED TORQUE

MODELS RANGING FROM 120-3,000 FT/LBS

TorqIT

HIGH-PRECISION TORQUE



BATTERY
x2 Included in Kit*



CHARGING
KIT*



**BATTERY-
POWERED**
FULL CHARGE
IN 60 MINS



TOOL
CARRYING
CASE*

*Case Styles Vary

- Durable and Portable Precision Torque
- Four Models From 120 Ft/Lbs to 3,000 ft/lbs
- Lithium Ion 8.0 Ah Rechargeable Battery - Full Charge in under 60 minutes
- Every Unit Calibrated In ISO17025 Laboratory
- 13-Month Warranty from date of purchase
- Made in the USA

MODEL	DESCRIPTION	MIN. TORQUE	MAX. TORQUE	SQUARE DRIVE	WEIGHT
67505	WRENCH ONLY	120 ft./lbs.	500 ft./lbs.	3/4"	8.3 lbs (3.8 kg)
67505K	WRENCH AND BATTERY KIT	120 ft./lbs.	500 ft./lbs.	3/4"	10.4 lbs (4.7 kg)
67510	WRENCH ONLY	240 ft./lbs.	1000 ft./lbs.	1"	11.5 lbs (5.2 kg)
67510K	WRENCH AND BATTERY KIT	240 ft./lbs.	1000 ft./lbs.	1"	14.5 lbs (6.6 kg)
67520	WRENCH ONLY	500 ft./lbs.	2000 ft./lbs.	1"	13.1 lbs (5.9 kg)
67520K	WRENCH AND BATTERY KIT	500 ft./lbs.	2000 ft./lbs.	1"	15.9 lbs (7.2 kg)
67530	WRENCH ONLY	750 ft./lbs.	3000 ft./lbs.	1"	19.6 lbs (8.9 kg)
67530K	WRENCH AND BATTERY KIT	750 ft./lbs.	3000 ft./lbs.	1"	22.5 lbs (10.2 kg)
67500	BATTERY PACK	-	-	-	1 lbs (0.45 kg)

*KIT PART NUMBERS INCLUDE BATTERY KIT EQUIPPED WITH (2) X 18V BATTERIES AND CHARGING STATION.

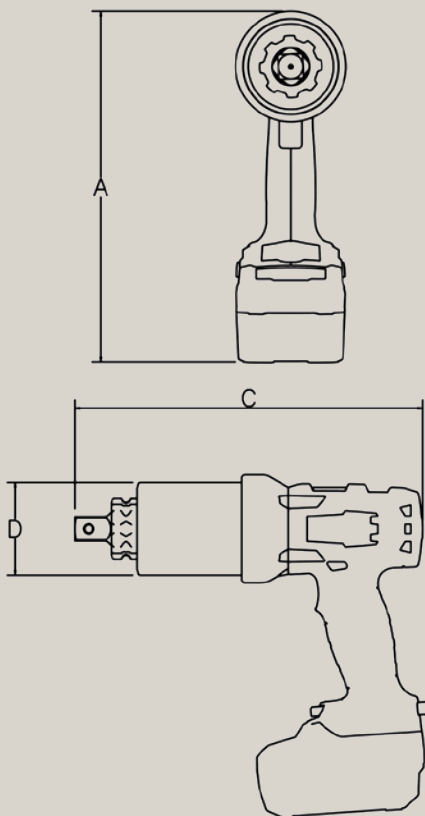
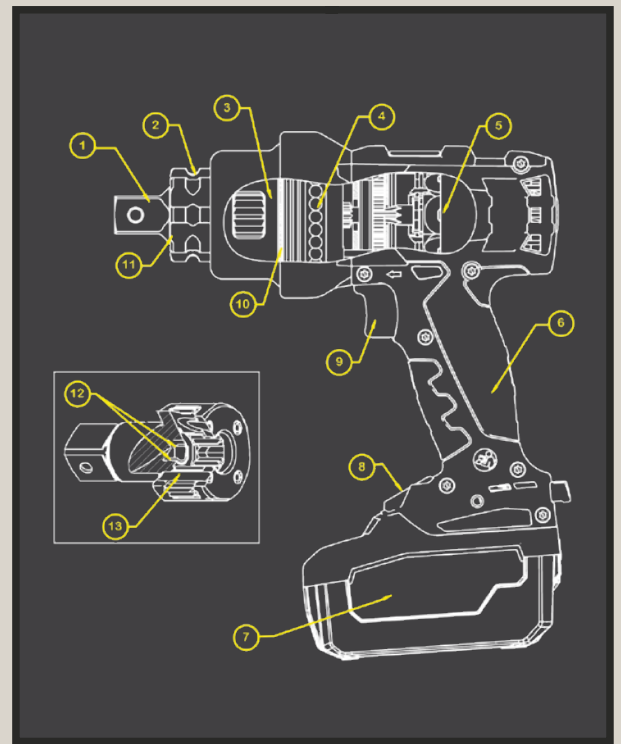


DIGITAL PROGRAMMABLE TORQUE
FOUR MODELS RANGING FROM 120-3000 FT/LB OF TORQUE







THE POWER INSIDE

1. Hardened alloy steel for durability and long cycle life
2. Bearings support the loads experienced at the square drive
3. Multi-stage planetary gear systems with optimized tooth design
4. Smooth ball bearing rotation of the gearbox housing independent from the motor handle
5. High-Efficiency Brushless Motor
6. Ergonomic glass-filled Nylon handle with a durable slip-resistant overmold
7. 18V 8.0 Ah LiHD Battery that provides extended run-time
8. LCD display for setting and viewing Torque and Units
9. Soft-Start Trigger
10. Thrust bearing between stages isolate the motor when used in all orientations
11. O-Rings Seal grease in while keeping dirt and water out
12. Gears run on low friction, high strength bearing sleeves
13. Tool steel pins in each stage carrier



SPECIFICATIONS

MODEL NUMBER	67505	67510	67520	67530	67510-E6
SQUARE DRIVE	3/4"	1"	1"	1"	1"
MIN. TORQUE (ft/lbs)	120	240	500	750	240
MAX TORQUE (ft/lbs)	500	1000	2000	3000	1000
MIN. TORQUE (Nm)	160	330	680	1020	335
MAX TORQUE (Nm)	670	1350	2710	4030	1355
HEIGHT A (w/ battery) (in)	10.40"	10.40"	10.40"	10.40"	10.40"
HEIGHT A (w/ battery) (mm)	265	265	265	265	265
LENGTH C (in)	8.86"	10.97"	11.45"	13.94"	15.64"
LENGTH C (mm)	225	279	291	355	397
DIAMETER D (in)	2.56"	2.85"	3.09"	3.75"	2.62"
DIAMETER D (mm)	65	72.4	78.5	95.3	67
WEIGHT (w/o reaction arm & battery) (lbs)	8.3	11.5	13.1	19.6	13.5
WEIGHT (w/o reaction arm & battery) (kg)	3.8	5.3	5.9	8.9	6.1
WEIGHT (w/ reaction arm & battery) (lbs)	10.4	14.5	15.9	22.5	16.5
WEIGHT (w/ arm & battery) (lbs)	4.7	6.6	7.2	10.2	7.5
RPM at Min. Torque	12	2	1	0.5	2
RPM at Max Torque	20	8	5	2	8

 <p>#67505 single speed Torque range 120-500 FT/LBS Free speed 12-20 RPM</p>	 <p>#67510 single speed Torque range 240-1000 FT/LBS Free Speed 2-8 RPM</p>	 <p>#67520 single speed Torque range 500-2000 FT/LBS Free speed 1-5 RP M</p>	 <p>#67530 single speed Torque range 750-3000 FT/LBS Free speed 0.5-2 RPM</p>
--	---	--	---

Charger Requirements: 110 - 120 V (50-60 Hz) and 230 - 240 V (50-60 Hz)



TorqIT

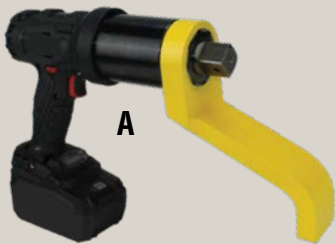
HIGH-PRECISION TORQUE



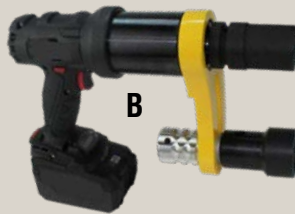
ACCESSORIES

REACTION ARMS*

**LONG EXTENDED
REACTION ARM**



**SOCKET-TO-SOCKET
REACTION ARM**



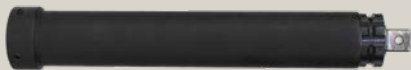
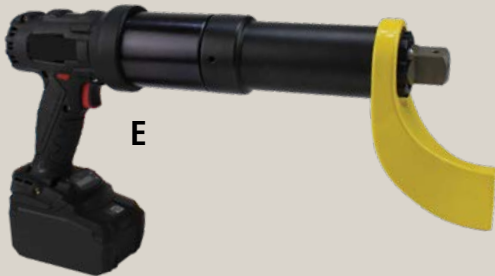
**STRAIGHT
REACTION ARM**



**SLIDING STRAIGHT
REACTION ARM**



NOSE EXTENSIONS



(F G H)**

	1" DRIVE MODEL NO.	3/4" DRIVE MODEL NO.	DESCRIPTION
A	67512	67525	Long Arm for use w/ Deep Well Sockets
B	67518	67585	Socket to Socket Reaction Arm
C	67513	67535	Straight Reaction Arm
D	67514	67545	Sliding Straight Reaction Arm
E	67510-E6	-	67510 1" Drive w/ 6" Nose Extension
F	67516	67565	6" Nose Extension Only**
G	67517	67575	12" Nose Extension Only**
H	67519	-	18" Nose Extension Only**

*SOLD SEPARATELY





67510-E6K TORQIT TORQUE WRENCH

TorqIT Torque Wrench, 1" DRIVE, 1,000 FT LBS, 6" NOSE

- Durable and Portable Precision Torque
- 240 - 1,000 ft/lbs
- 1" Drive
- Includes 6" Nose Extension
- Accuracy of +/- 5%
- Lithium Ion 8.0 Ah Rechargeable Battery
- Every Unit Calibrated In ISO17025 Laboratory
- 13-Month Warranty from date of purchase
- Made in the USA
- Weight: 16.5 lbs (7.5 kg)

TorqIT

HIGH-PRECISION TORQUE



BATTERY-POWERED
FULL CHARGE IN 60 MINS