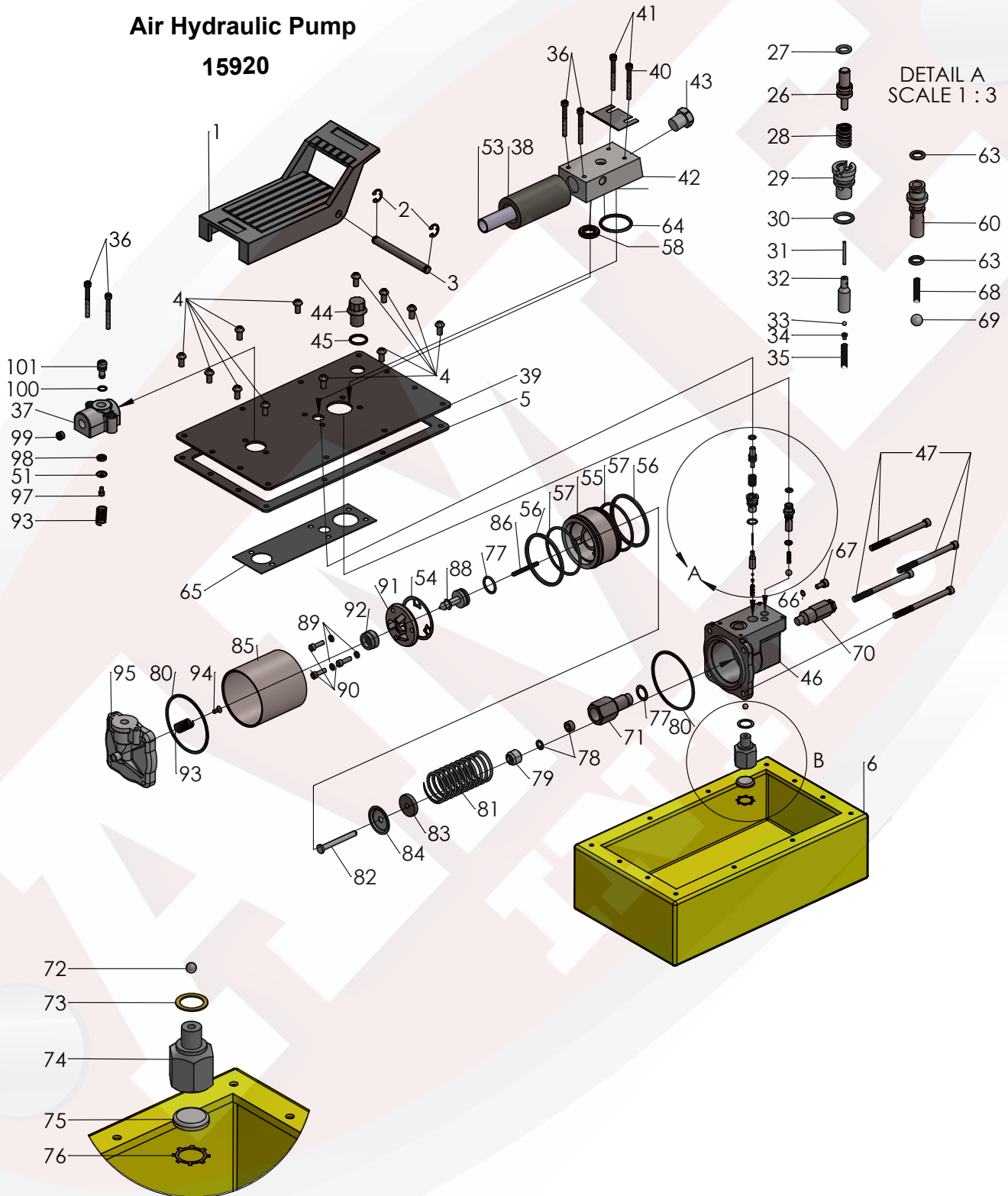


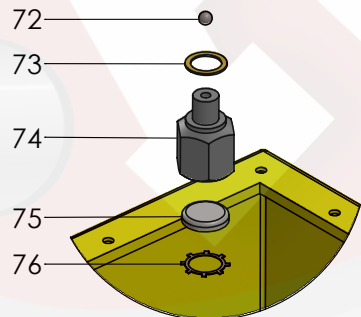


# PARTS BREAKDOWN

## Parts List For Air Hydraulic Pump 15920



- DETAIL A  
SCALE 1 : 3
- 27 — O-ring
  - 26 — Pin
  - 28 — Pin
  - 29 — Pin
  - 30 — Pin
  - 31 — Pin
  - 32 — Pin
  - 33 — Pin
  - 34 — Pin
  - 35 — Pin
  - 63 — Pin
  - 60 — Pin
  - 63 — Pin
  - 68 — Pin
  - 69 — Pin





# PARTS BREAKDOWN

## Parts List For Air Hydraulic Pump 15920

Item	Part No.	Stock No.	Qty	Description	Item	Part No.	Stock No.	Qty	Description
1	15920-001	41322	1	Foot Pedal	58	15920-058	*10276	1	O-Ring
2	15920-002	*11032	2	Retaining Ring	59	15920-059	*10272	1	O-Ring
3	15920-003	28386	1	Pin	60	15920-060	34378	1	Check Valve Body
4	15920-004	211060	6	Screw	61	15920-061	*250638	1	Filter Disc
5	15900-005	*33853	1	Reservoir Gasket	62	15920-062	*11088	2	Retaining Ring
5	15920-005	*46271	1	Reservoir Gasket	63	15920-063	*12522	2	O-Ring
5	15940-005	*47409	1	Reservoir Gasket	64	11010-015	*11841	1	O-Ring
6	15900-006	61243	1	Reservoir	65	15920-065	*351021	1	Gasket
6	15920-006	64153OR	1	Reservoir	66	11000-022	*10442	1	Washer
6	15940-006	61165	1	Reservoir	67	15920-067	10002	1	Cap Screw
7	15920-007	*305494	1	Decal	68	15920-068	*10445	1	Compression Spring
8	15920-008	302466	1	Spring Clip	69	15920-069	*10423	2	Steel Ball
9	15920-009	260154	1	Trade Name Decal	70	15920-070	-	-	Relief Valve
10	15920-010	251762	1	Warning Decal	71	15920-071	45278	1	Piston Cylinder
11	15920-004	211060	4	Screw	72	11010-014	*10375	1	Steel Ball
11	15920-004	252168	4	Screw	73	11010-019	*10261	1	Copper Washer
25	15920-025	*2066504	1	Foam Tube	74	15920-074	308893	1	Filter Adapter
26	15920-026	28227	1	Release Vale Button	75	15920-075	214578	1	Filter
27	15920-027	*10266	1	O-Ring	76	15920-076	214586	1	Retaining Ring
28	11010-013	*13944	1	Compression Spring	77	15920-077	*10263	1	Copper Washer
29	15920-029	34377	1	Poppet Retainer	78	15920-078	*13934	1	U-cup & Backup
30	15920-030	*15279	1	O-Ring	79	15920-079	*304295	1	Retainer
31	15920-031	13937	1	Dowel Pin	80	15920-080	*17429	2	Back up Washer
32	15920-032	29037	1	Release Valve Poppet	81	15920-081	*13938	1	Compression Spring
33	15920-033	*14443	1	Steel Ball	82	15920-082	28226	1	Piston
34	15920-034	209736	1	Ball Retainer	83	15920-083	203143	1	Bumper
35	15920-035	*13959	1	Compression Spring	84	15920-084	210994	1	Spring Guide
36	15920-036	11151	4	Cap Screw	85	15920-085	37434	1	Air Cylinder
37	15920-037	37199	1	Intake Air Valve Body	86	15920-086	*12692	1	Compression Spring
38	15920-038	*29992	1	Foam Tube	87	15920-087	*211052	1	O-Ring
39	15920-039	420965BK 2	1	Cover Plate	88	15920-088	305475	1	Exhaust Valve Stem
39	15920-039	58688BK2	1	Cover Plate	89	15920-089	*10241	3	Lock washer for #10 Bolt
39	15920-039	58706BK2	1	Cover Plate	90	15920-090	211054	3	Screw
40	15920-040	11089	2	Washer	91	15920-091	33822	1	Piston End Plate
41	15920-041	11435	2	Cap Screw	92	15920-092	*28183	1	Piston Poppet
42	15920-042	58563	1	Release Valve Body	93	15920-093	*205679	1	Compression Spring
43	15920-045	11127	1	Pressure Plug	94	15920-094	*205674	1	Screw
44	-	20937	1	Filler Cap	95	15920-095	51480	1	Rear Head
45	15920-045	*10273	1	O-Ring	96	15920-096	12691	1	Compression Spring
46	15920-046	64767	1	Pump Body	97	15920-097	13936	1	Soc. Hd Cap Screw
47	15920-047	17428	4	UNC x 3-1/2	98	15920-098	28198	1	Seal Guide
51	15920-051	*28182	1	Air Valve Poppet	99	15920-099	*216296	1	Filter Disc



# PARTS BREAKDOWN

## Parts List For Air Hydraulic Pump 15920

52	15920-052	*251717	1	O-Ring	100	15920-100	*10267	1	O-Ring
53	15920-053	28387	1	Muffler					
54	15920-054	*28239	1	Gasket					
55	15920-055	52390	1	Piston Body					
56	15920-056	*14265	2	Piston Ring					
57	15920-057	*251835	2	O-Ring					